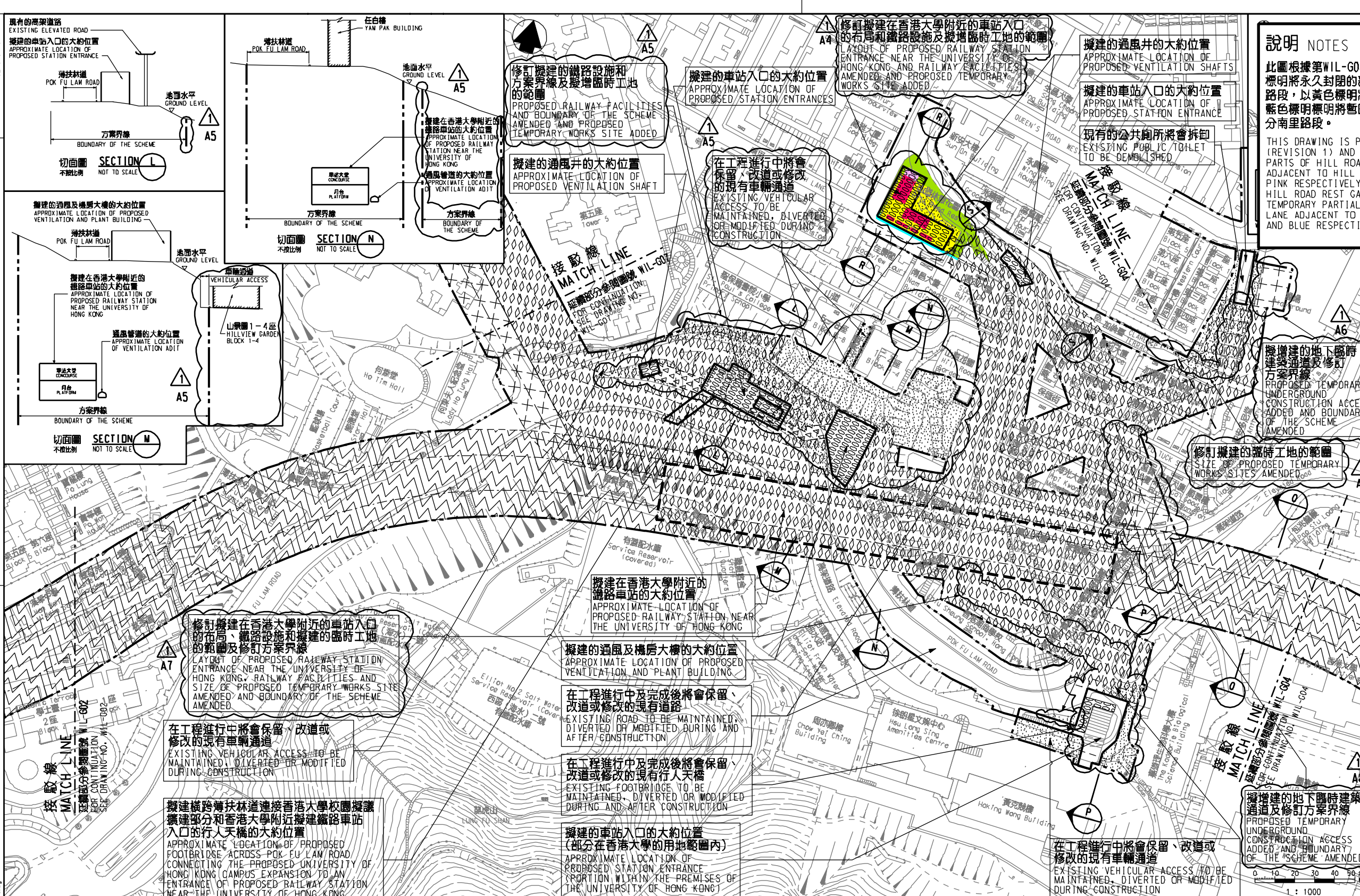


DRAWING NO. WIL/G03/0001/6  
 EX:lib/118/vb/pr/inter-plf  
 PRINTED BY: 09/03/2015 08:49:59  
 FILENAME: f:\cib\w\p\00\cib\wood\cib\rev\rev\VER F.WEB.WIL-G03-0001-6.dgn



### 說明 NOTES

此圖根據第WIL-G03號(修改 1)圖則制訂, 分別以紅色及粉紅色標明將永久封閉的部分山道休憩公園和毗鄰山道休憩公園的山道路段, 以黃色標明將暫時封閉的部分山道休憩公園, 及以綠色和藍色標明將暫時封閉毗鄰山道休憩公園的部分山道路段和部分南里路段。

THIS DRAWING IS PREPARED BASED ON DRAWING NO. WIL-G03 (REVISION 1) AND IS INTENDED TO SHOW THE PERMANENT CLOSURE OF PARTS OF HILL ROAD REST GARDEN AND THE SECTION OF HILL ROAD ADJACENT TO HILL ROAD REST GARDEN (HIGHLIGHTED IN RED AND PINK RESPECTIVELY); AND THE TEMPORARY CLOSURE OF PARTS OF HILL ROAD REST GARDEN (HIGHLIGHTED IN YELLOW) AND THE TEMPORARY PARTIAL CLOSURE OF SECTIONS OF HILL ROAD AND SOUTH LANE ADJACENT TO HILL ROAD REST GARDEN (HIGHLIGHTED IN GREEN AND BLUE RESPECTIVELY).

1. 剖面圖所示鐵路設施的形狀和輪廓均屬示意性質。 GEOMETRY AND CONFIGURATION OF RAILWAY FACILITIES SHOWN IN SECTIONS ARE SCHEMATIC.
2. 所有在制定方案界線內的道路(包括行車道、行人徑及露天地方), 無論在否在圖則中顯示, 都可能有永久或暫時封閉或大幅改動。 ALL ROADS INCLUDING CARRIAGEWAYS, FOOTPATHS AND OPEN PLACE WITHIN THE BOUNDARY OF THE SCHEME, WHETHER OR NOT SHOWN ON THE DRAWINGS MAY BE CLOSED OR ALTERED SUBSTANTIALLY ON A PERMANENT OR TEMPORARY BASIS.
3. 除非圖則中特別註明, 否則在方案界線內, 或與方案界線毗鄰的所有建築物的汽車通道及行人通道, 包括逃生路徑, 將會保留。 UNLESS NOTED OTHERWISE ON THE DRAWINGS, VEHICULAR AND PEDESTRIAN ACCESSES INCLUDING MEANS OF ESCAPE TO AND FROM ALL BUILDINGS WITHIN OR ADJACENT TO THE BOUNDARY OF THE SCHEME ARE TO BE MAINTAINED.
4. 所有水平均為約數, 以米為單位, 並為香港的主水平基準。 ALL LEVELS ARE APPROXIMATE AND IN METRES ABOVE HONG KONG PRINCIPAL DATUM (mPD).
5. 圖則顯示的建造方法分界線只是大體位置, 有關界線可因應當時的地線情況而作出改動。 BOUNDARIES SHOWN ON DRAWINGS FOR THE CONSTRUCTION METHODS TO BE CARRIED OUT ARE APPROXIMATE ONLY. THESE BOUNDARIES MAY BE ALTERED ON SITE TO SUIT PREVAILING SITE CONDITIONS.

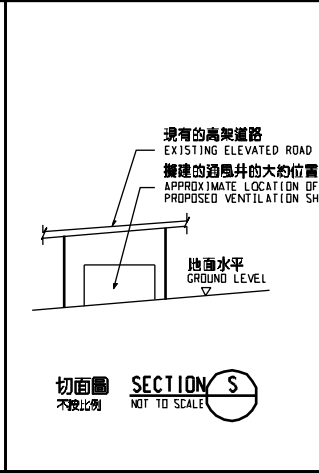
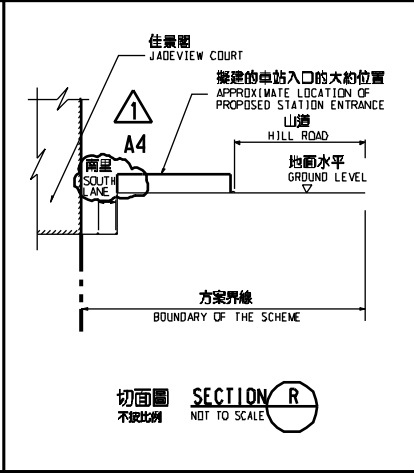
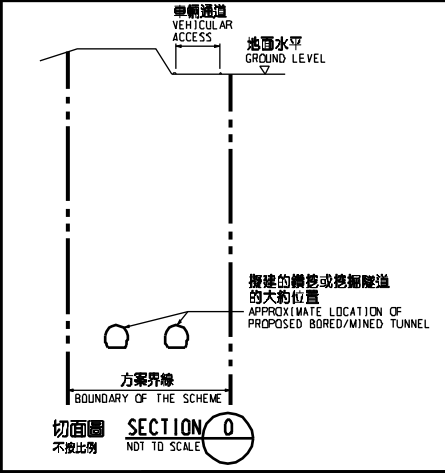
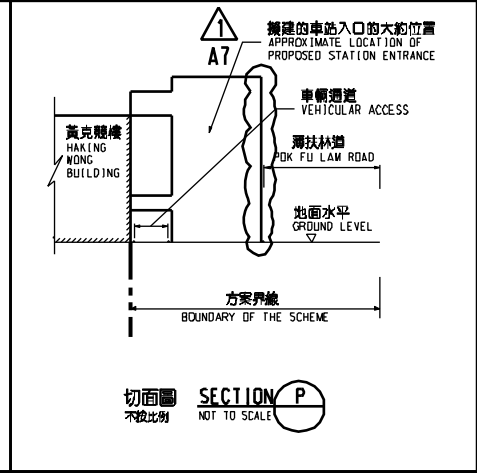
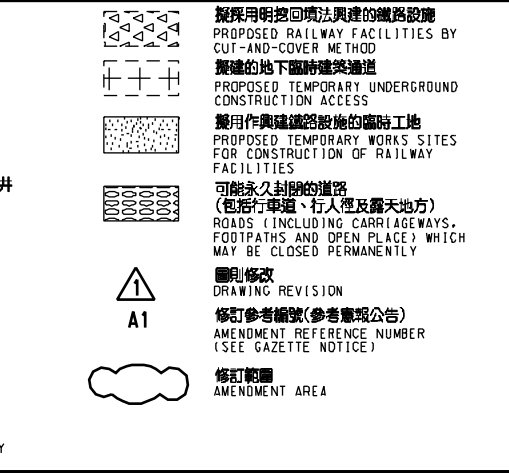
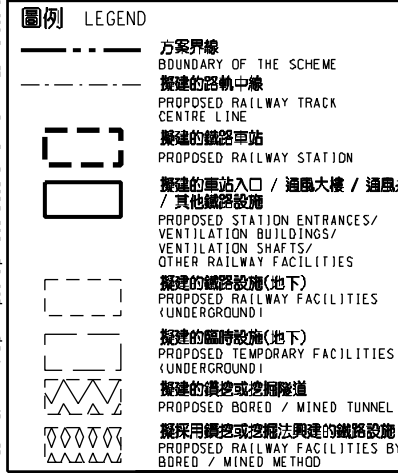
修訂表  
TABLE OF AMENDMENTS

修訂號	日期	繪圖	核對	批准	說明
REV	DATE	BY	SUB	APP	DESCRIPTION

SIGNED

簽發日期 DATE OF ISSUE: 6/3/2015

圖則名稱 DRAWING TITLE: 鐵路條例(第519章) 地下鐵路(「地鐵」) - 西港島線



鐵路條例(第519章)  
地下鐵路(「地鐵」) - 西港島線  
永久封閉部分山道休憩公園和毗鄰山道休憩公園的山道路段; 以及暫時封閉部分山道休憩公園和毗鄰山道休憩公園的山道及南里路段

RAILWAYS ORDINANCE (CHAPTER 519)  
MASS TRANSIT RAILWAY (MTR) - WEST ISLAND LINE  
PERMANENT CLOSURE OF PARTS OF HILL ROAD REST GARDEN AND A SECTION OF HILL ROAD ADJACENT TO HILL ROAD REST GARDEN AND TEMPORARY CLOSURE OF PARTS OF HILL ROAD REST GARDEN AND SECTIONS OF HILL ROAD AND SOUTH LANE ADJACENT TO HILL ROAD REST GARDEN

圖號 DRAWING NO. WIL/G03/0001/6

比例 SCALE 1:1000 (A1) 或如顯示 OR AS SHOWN

香港特別行政區政府  
THE GOVERNMENT OF THE HONG KONG  
SPECIAL ADMINISTRATIVE REGION

路政署  
HIGHWAYS DEPARTMENT

鐵路拓展處  
RAILWAY DEVELOPMENT OFFICE