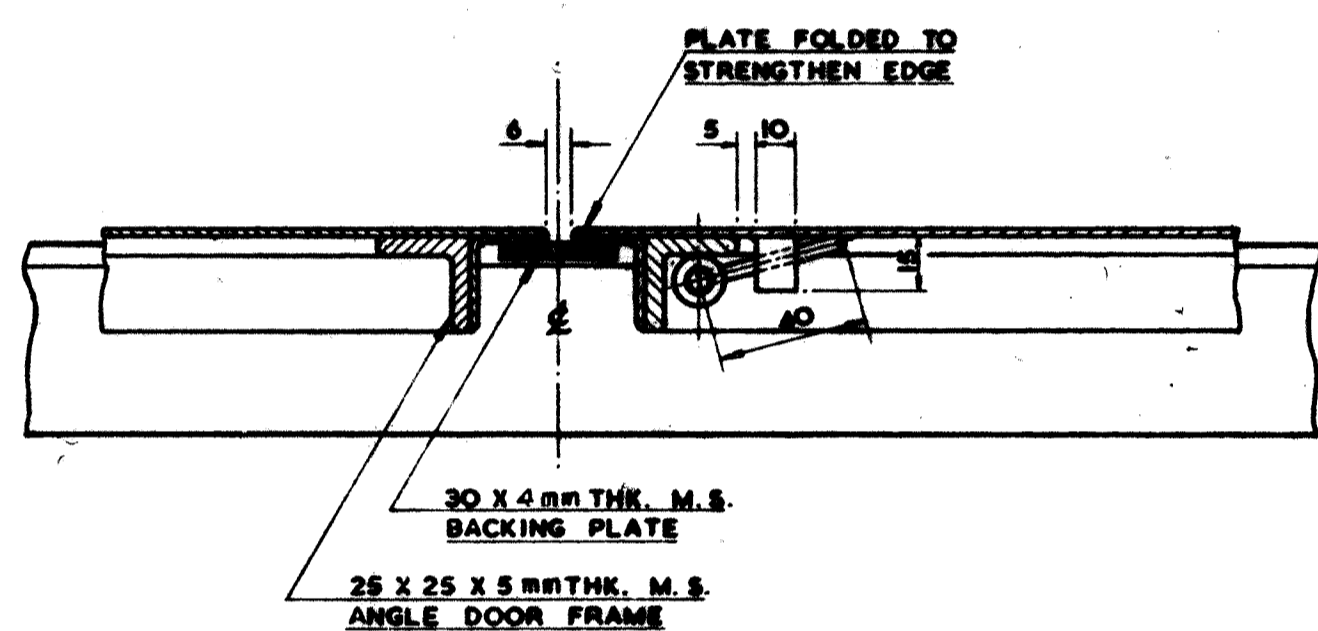
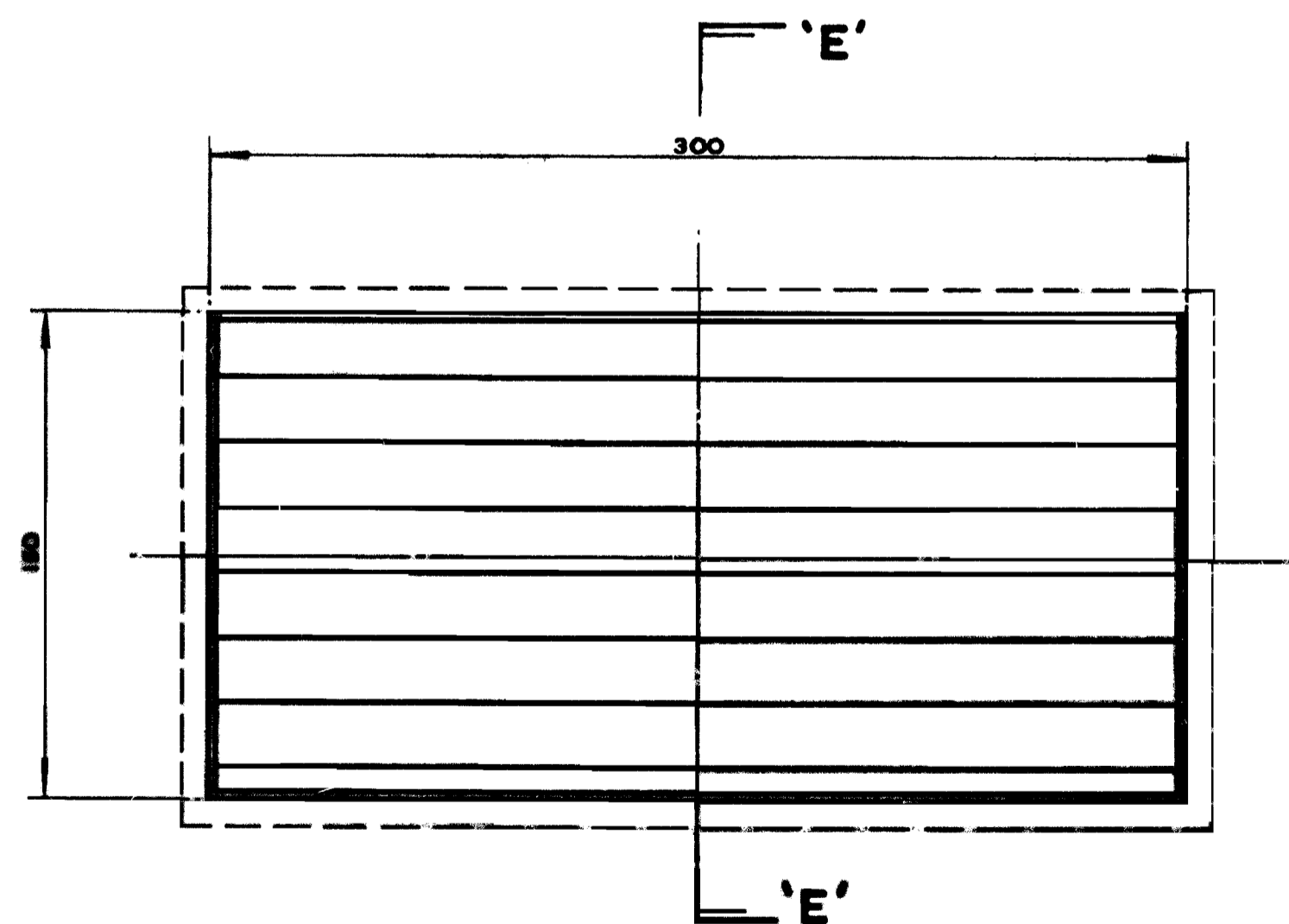


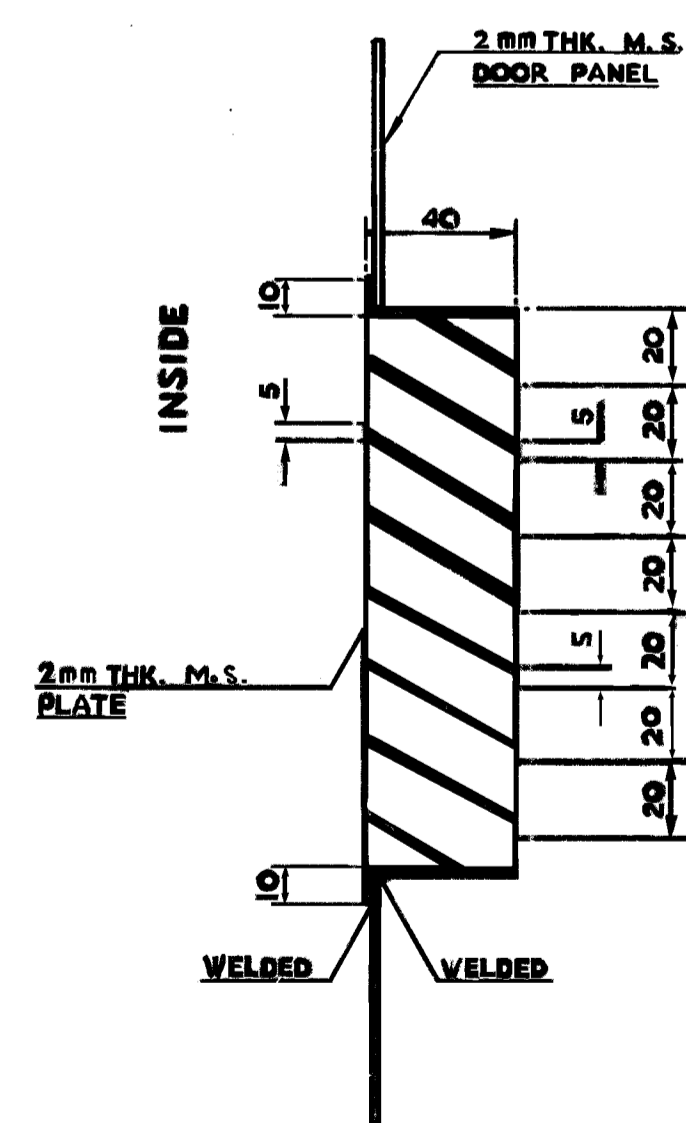
DETAIL 'M1'
DOOR FIXING BOLT FOR M.S. PILLAR BOX
REAR ELEVATION FOR DOOR CLOSED POSITION
(SCALE 1:2)



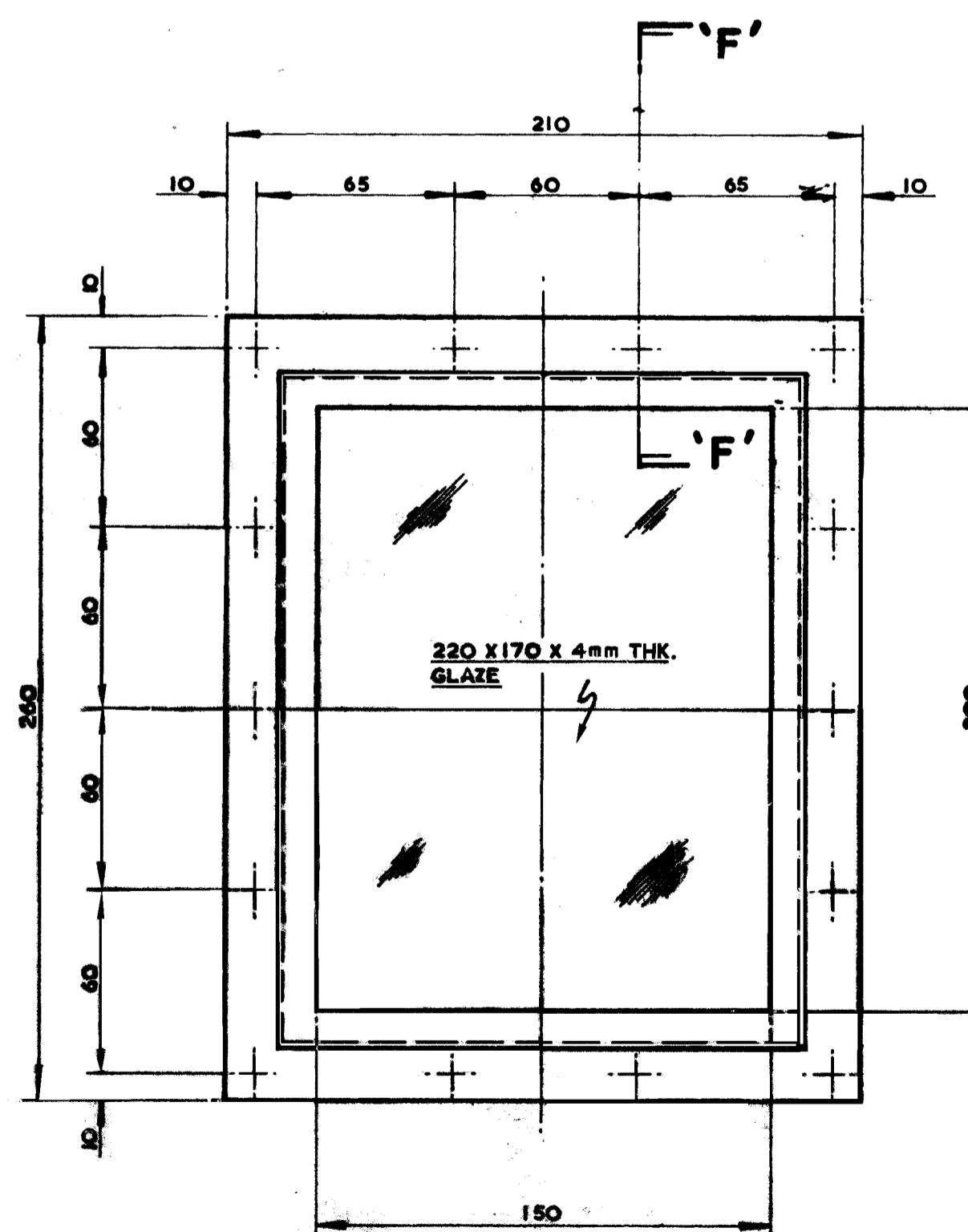
SECTION 'D1'-'D1'



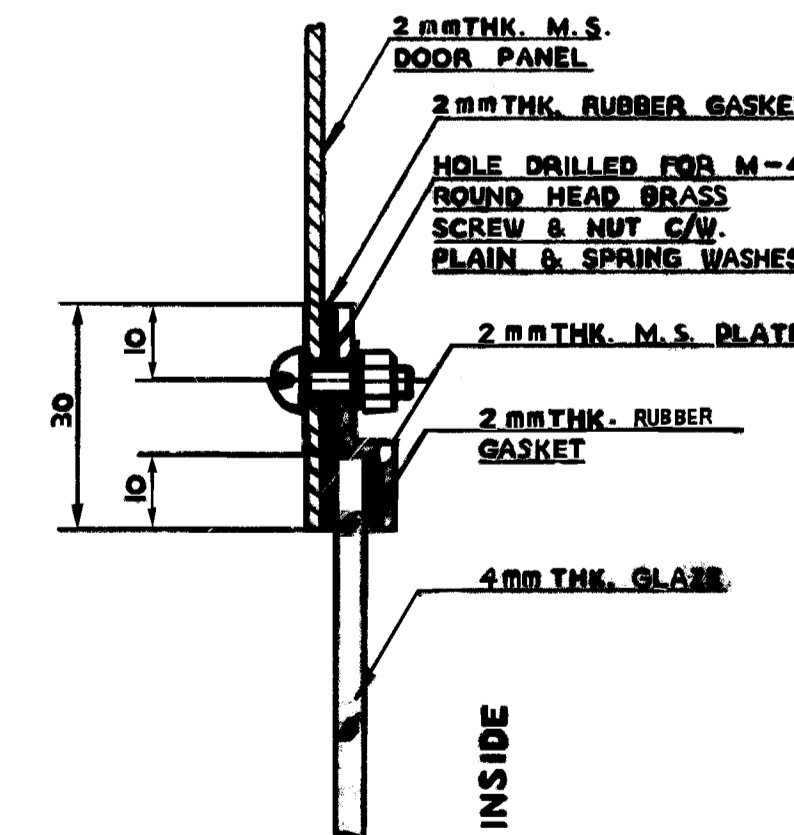
DETAIL 'N'
VENTILATION LOUVRES
FRONT ELEVATION
(SCALE 1:2)



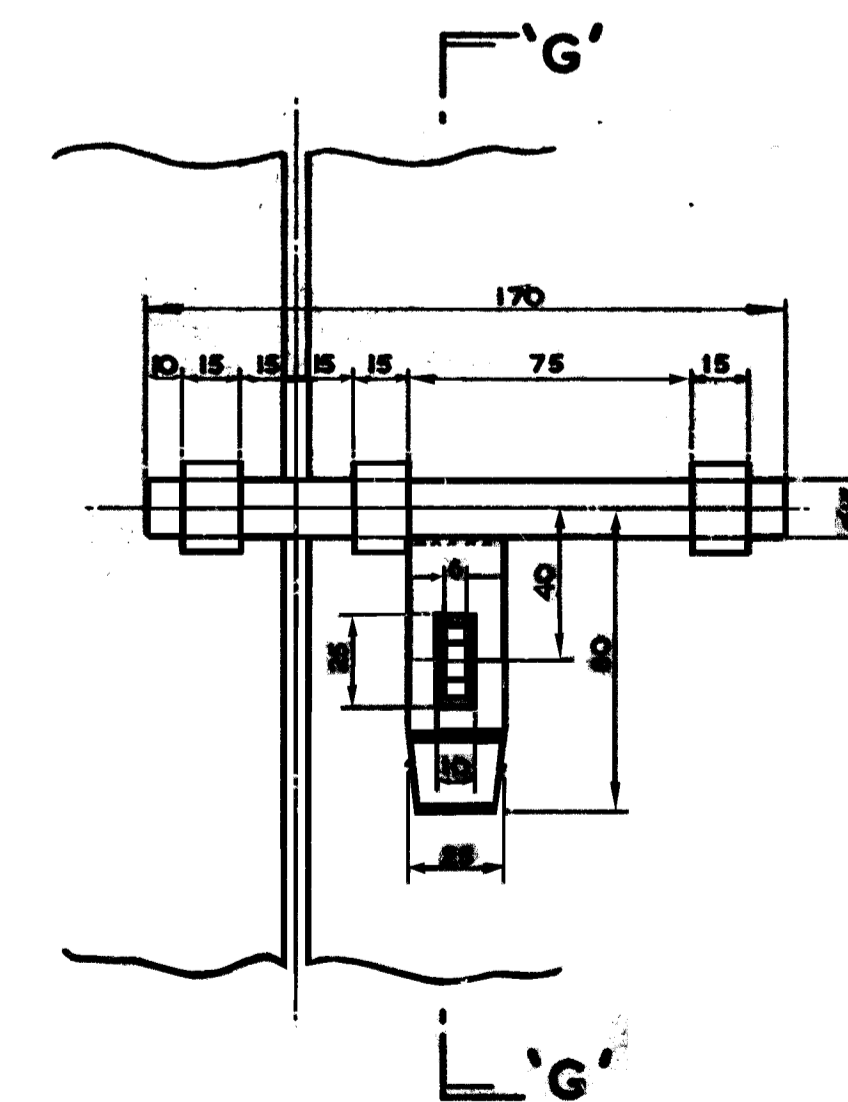
SECTION 'E'-'E'



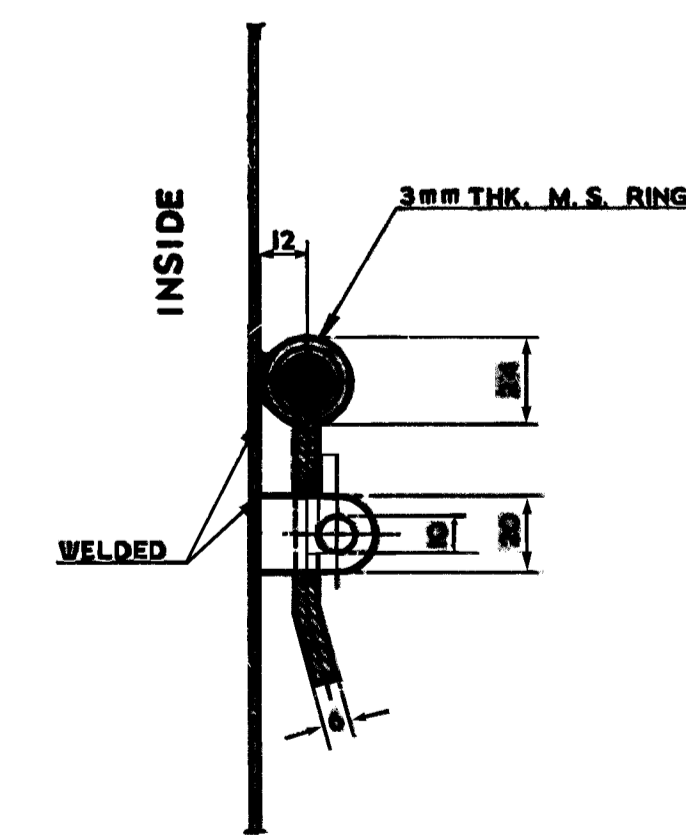
DETAIL 'P'
GLAZE WINDOW
REAR ELEVATION
(SCALE 1:2)



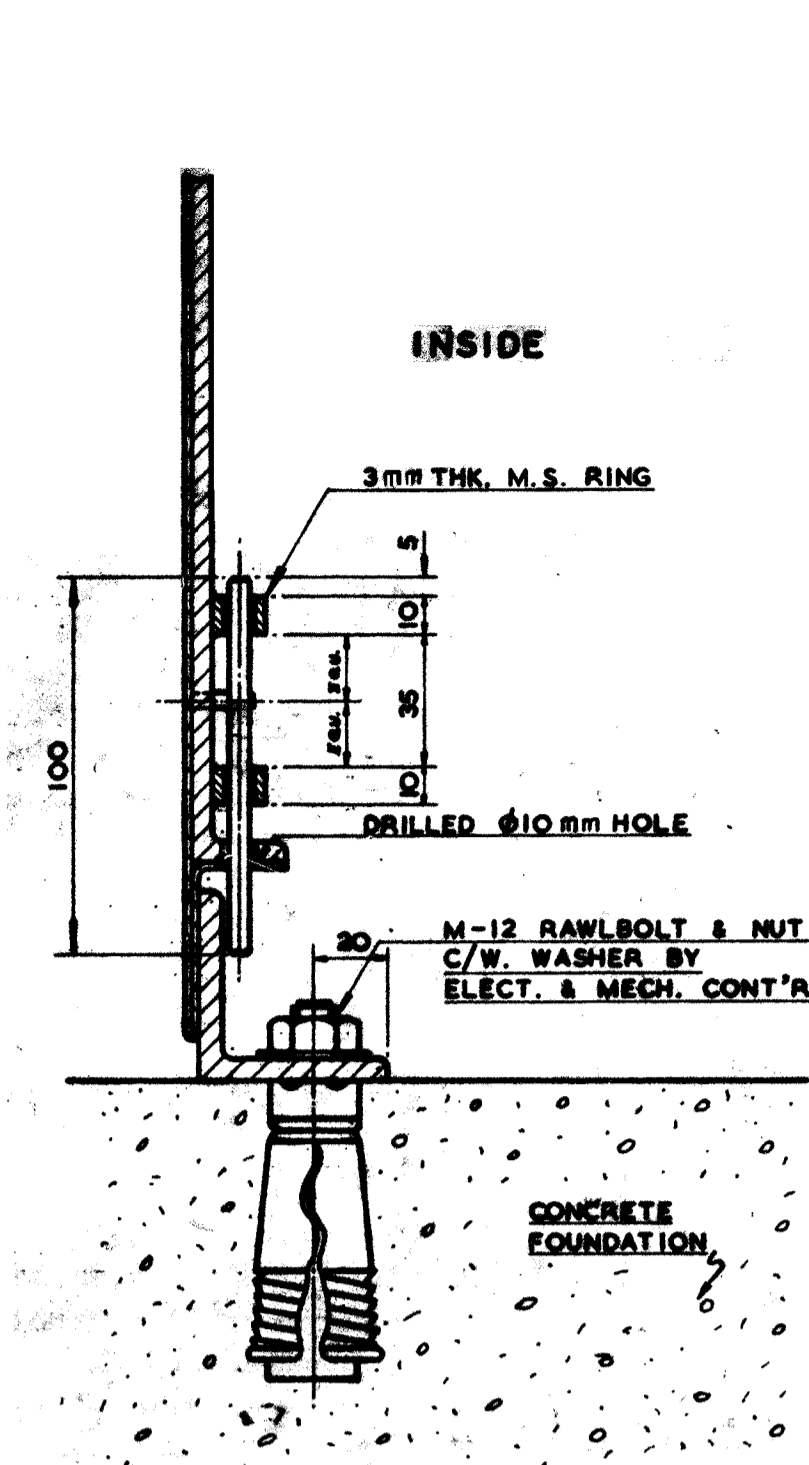
SECTION 'F'-'F'
(SCALE 1:1)



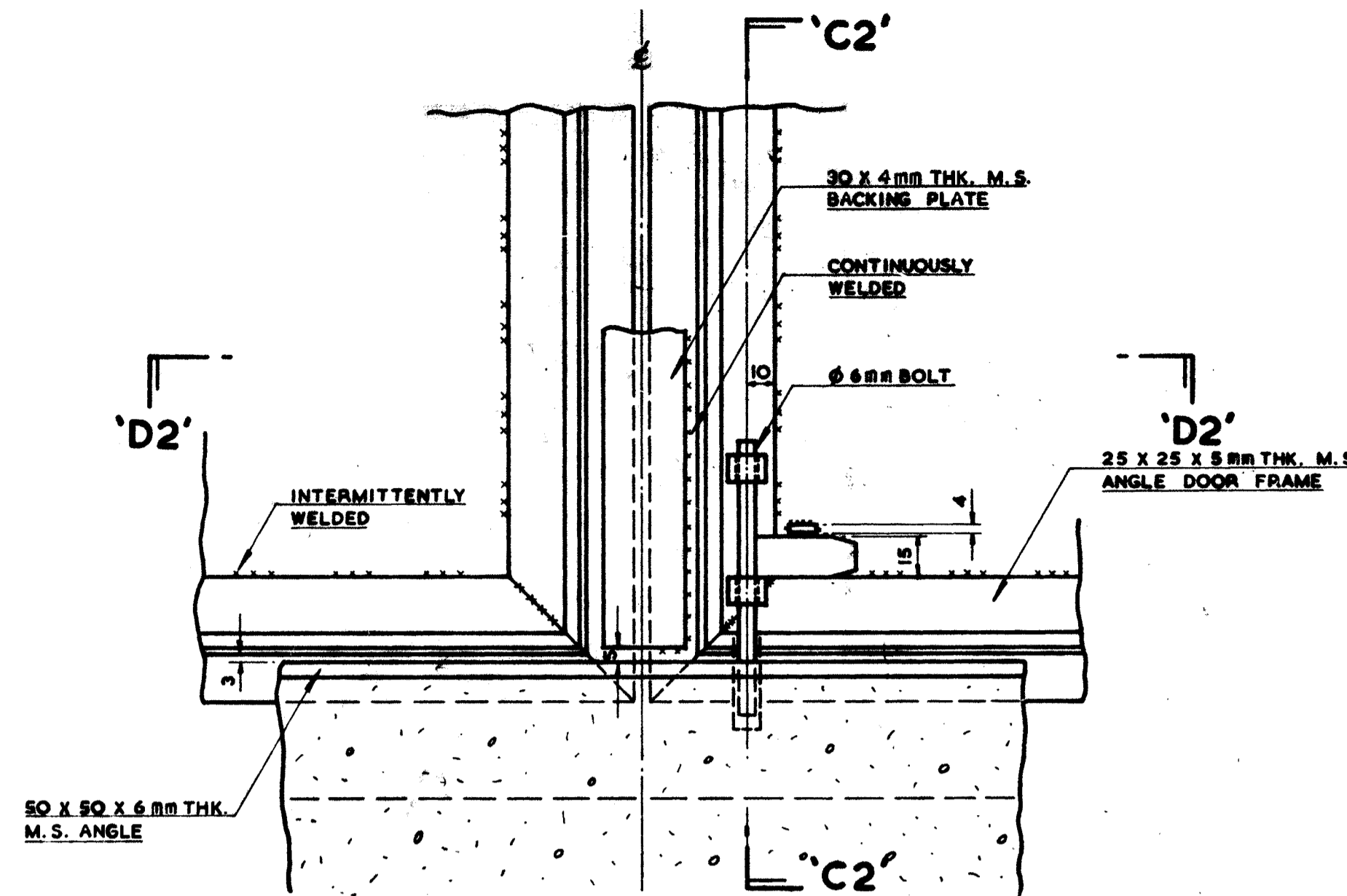
DETAIL 'Q'
DOOR LOCK BOLT
FRONT ELEVATION
(SCALE 1:2)



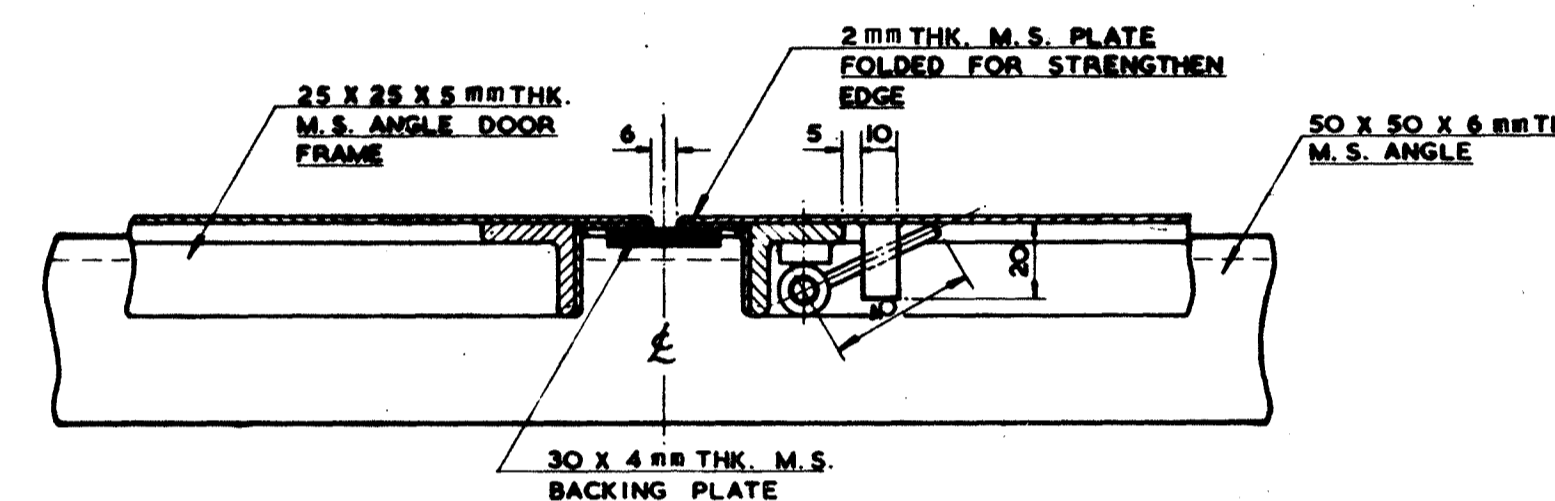
SECTION 'G'-'G'



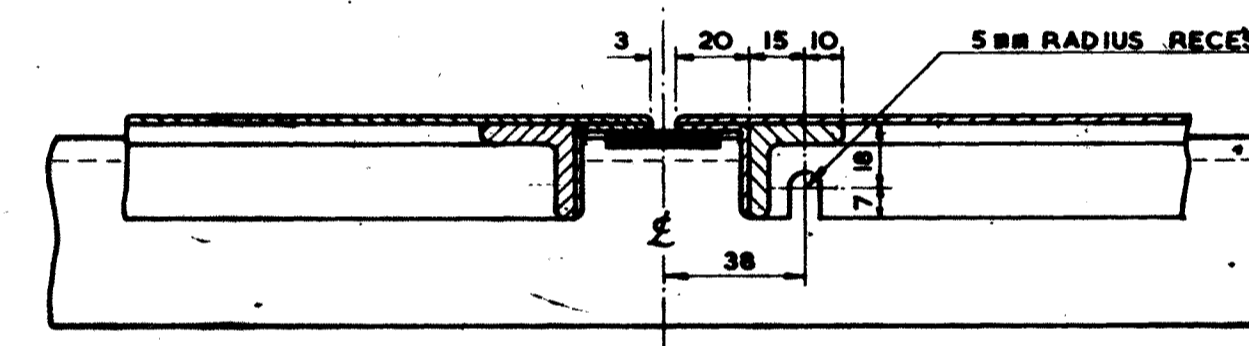
SECTION 'CI'-'CI'



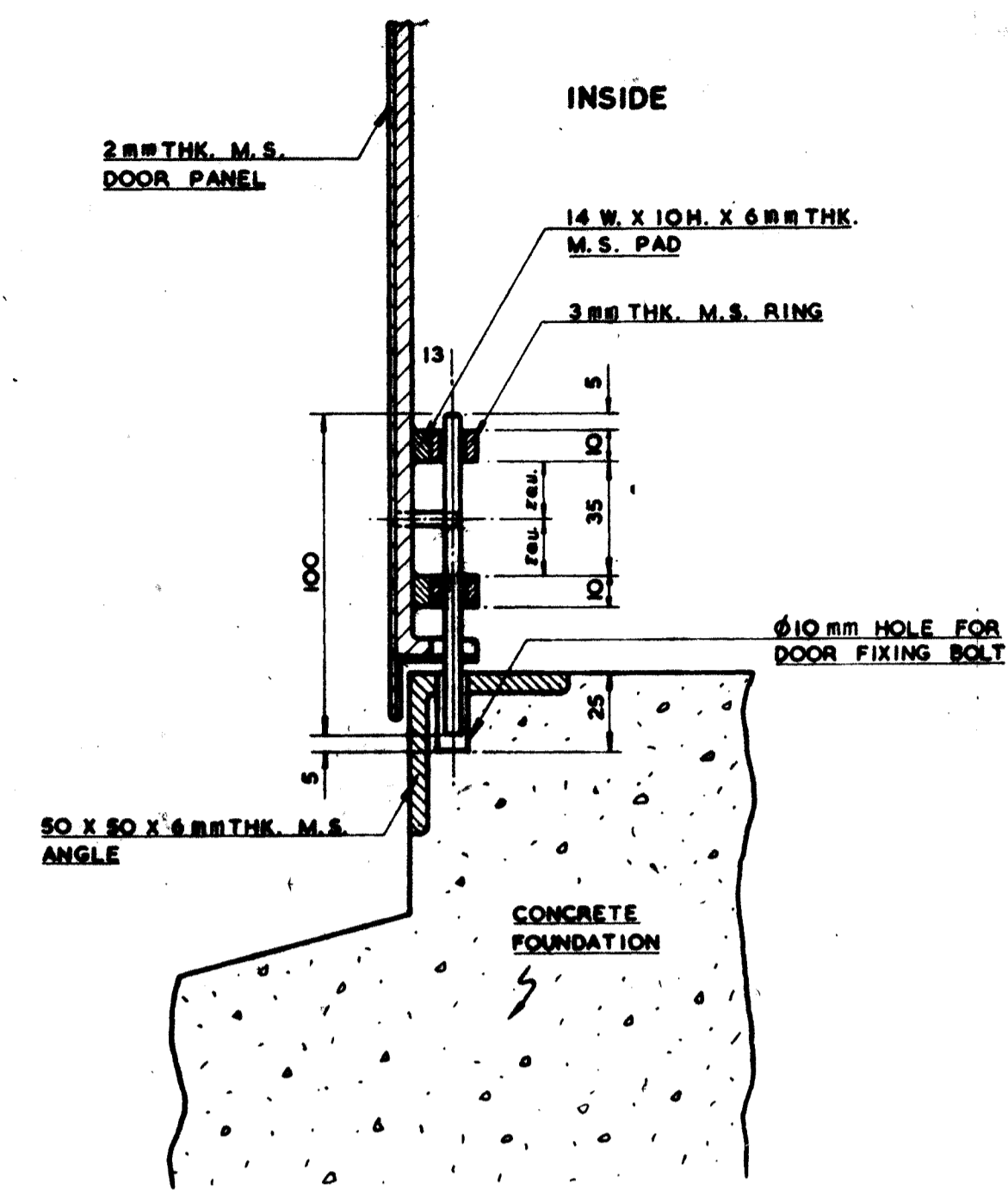
DETAIL 'M2'
DOOR FIXING BOLT FOR CONCRETE PILLAR BOX
REAR ELEVATION FOR DOOR CLOSED POSITION
(SCALE 1:2)



SECTION 'D2'-'D2'



SECTION 'D2'-'D2'
(WITHOUT FIXING BOLT)



SECTION 'C2'-'C2'

NOTES:

1. ALL DIMENSIONS ARE IN MILLIMETRES.
2. ALL WORKS TO BE SUPPLIED, INSTALLED & COMPLETED BY CIVIL CONTRACTOR UNLESS OTHERWISE SPECIFIED.
3. THIS DRAWING IS BASED ON EMA01-13774.

no.	date	description	initial
A	5.3.81	THIS ORG. SUPERSEDES DRG. No. SSD/54.	
REVISION			
designed			
drawn			
traced			
checked			
approved			

contract no.	
file no.	
project no.	
contract	

drawing title
**STANDARD SUBWAY
CONCRETE PILLAR BOX
(MISCELLANEOUS DETAILS)**
(SHEET 3 OF 3)

drawing no. **SSD / 53 (3) A**
scale **1:2**
OR
AS SHOWN

office
STRUCTURES DIVISION

HONG KONG
HIGHWAYS DEPARTMENT
路政署