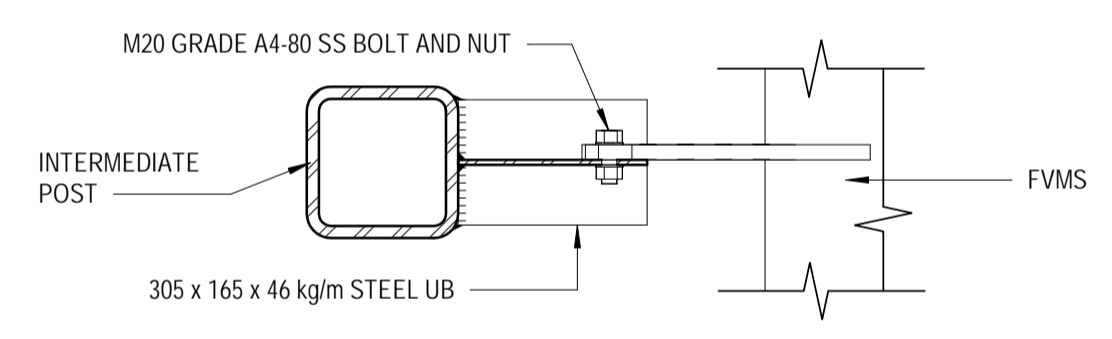
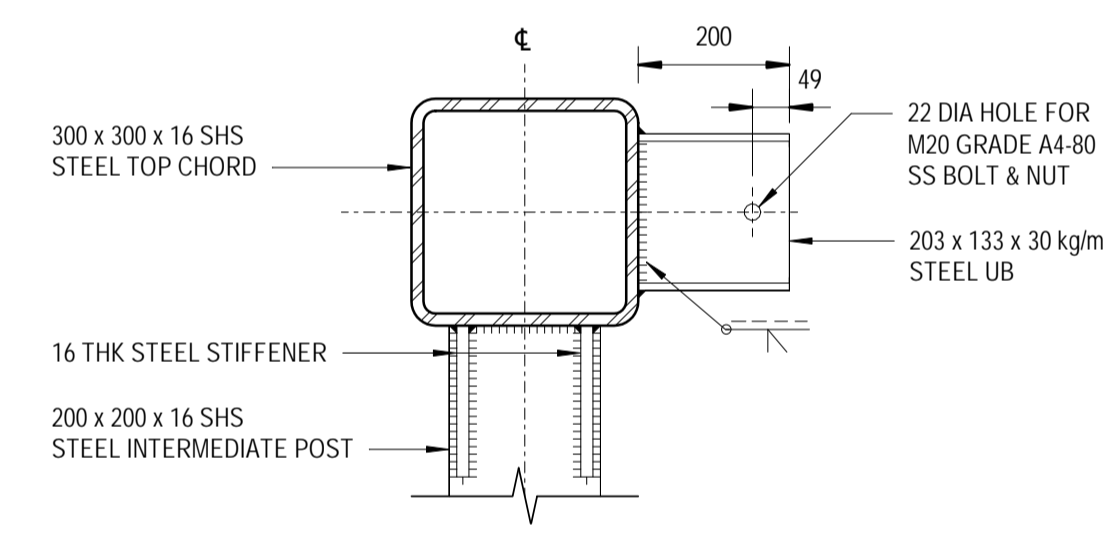
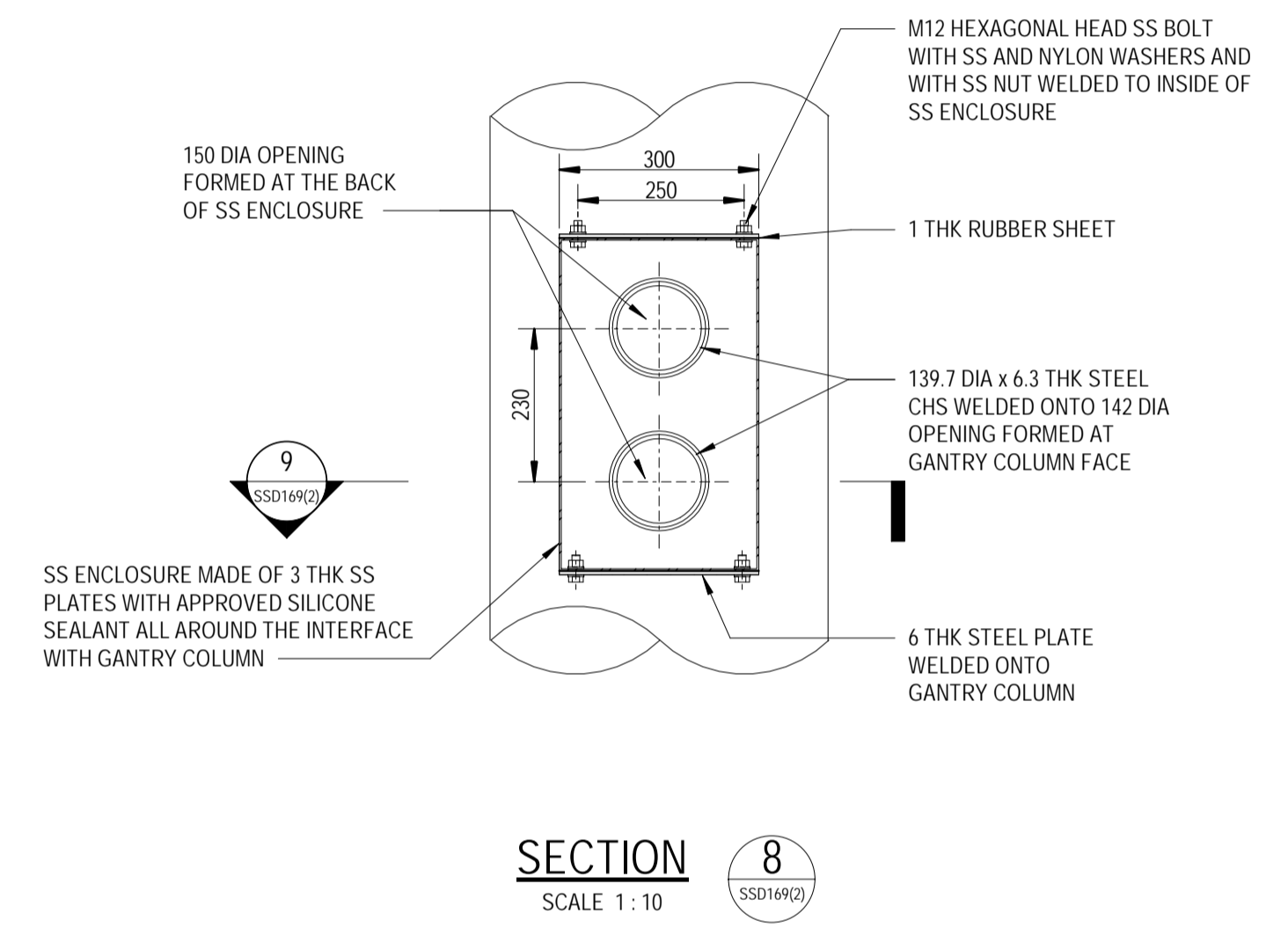
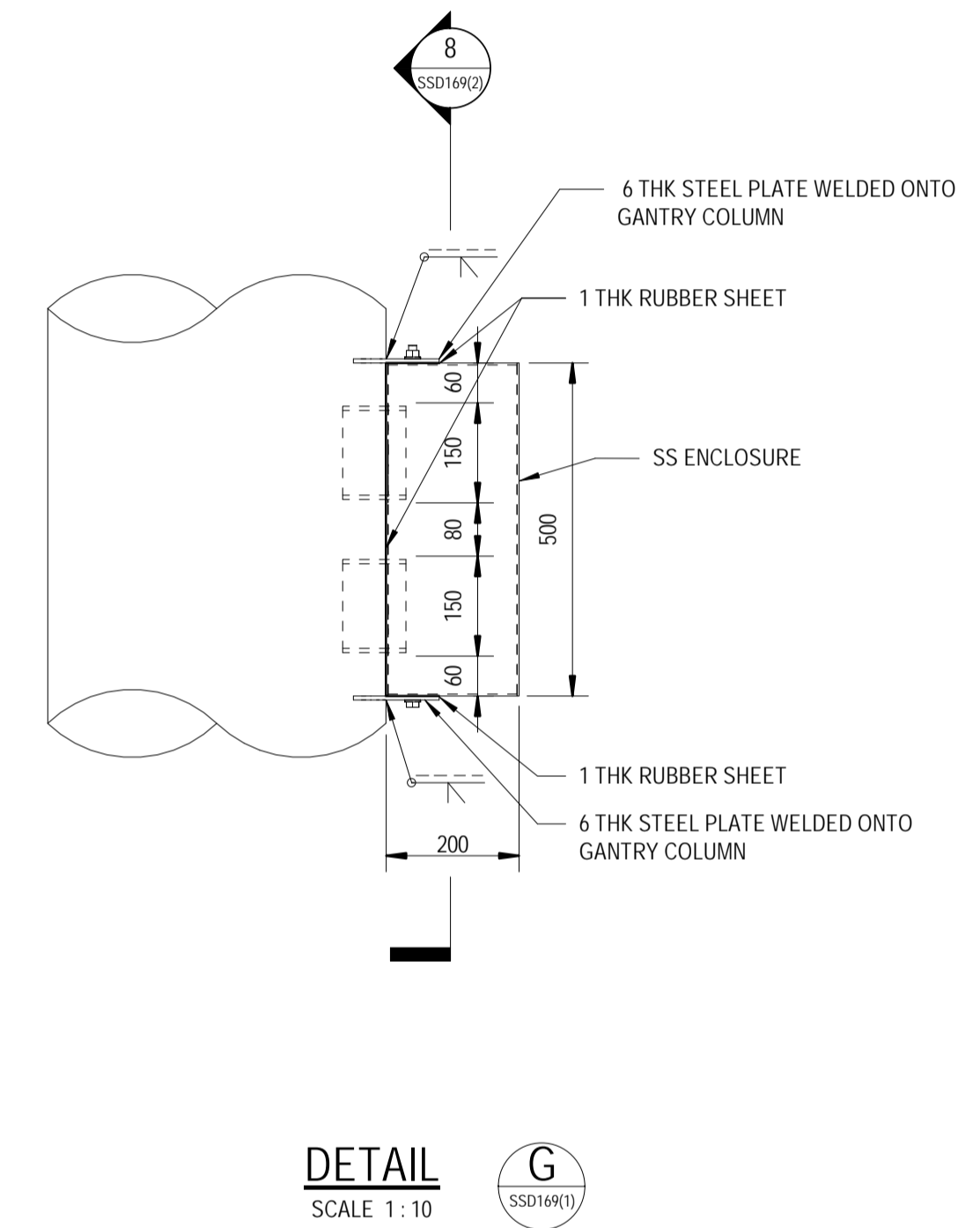
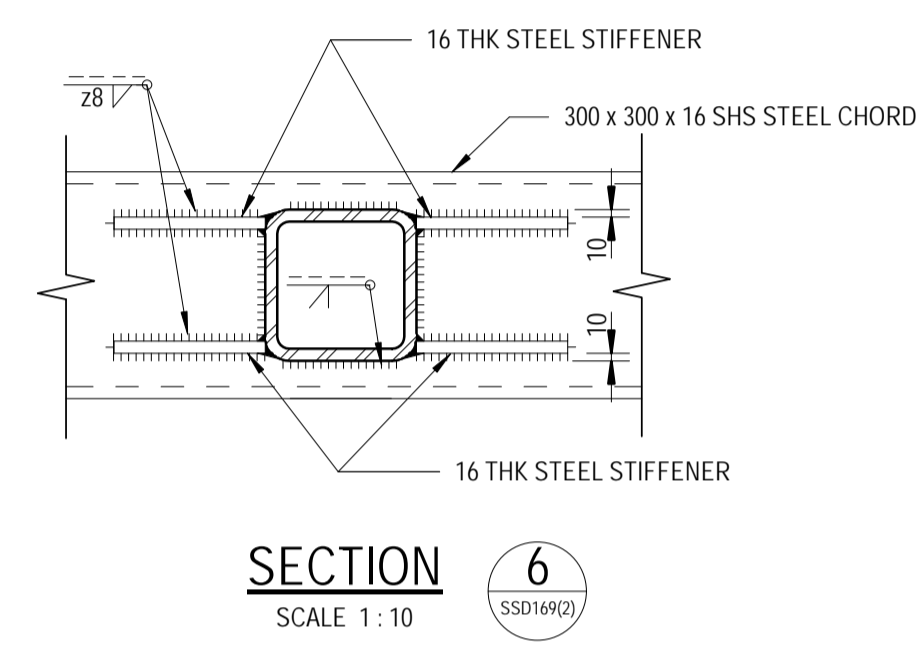
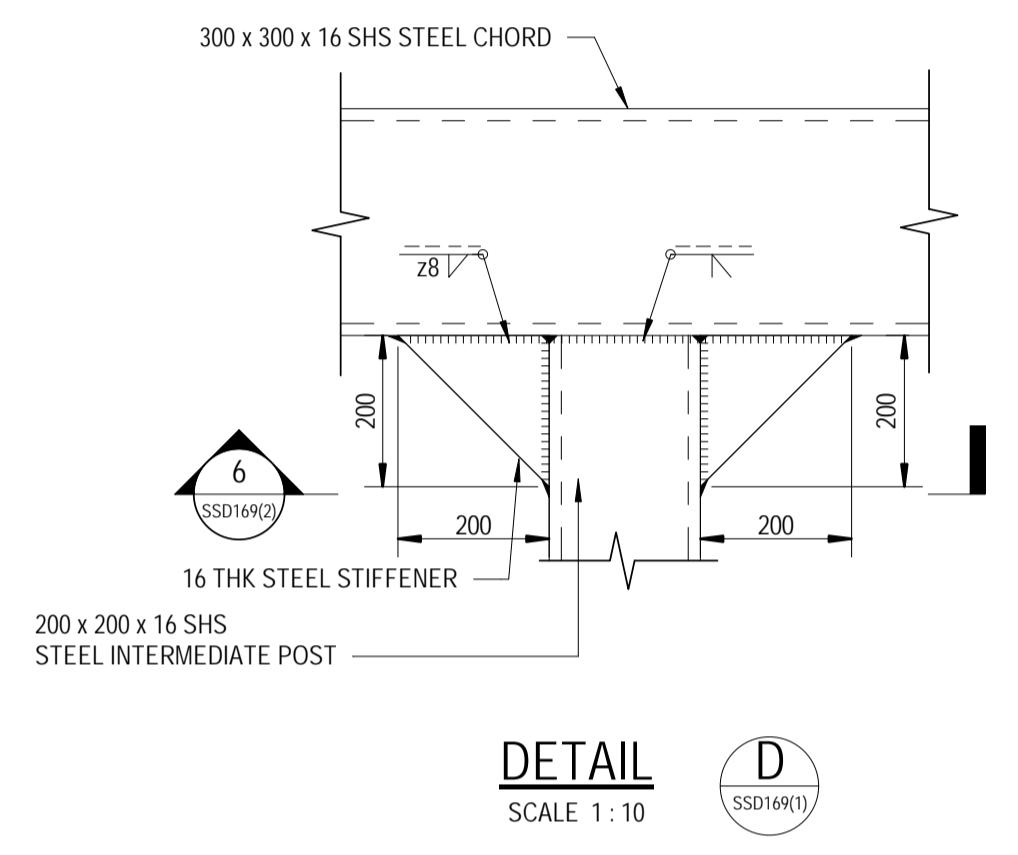
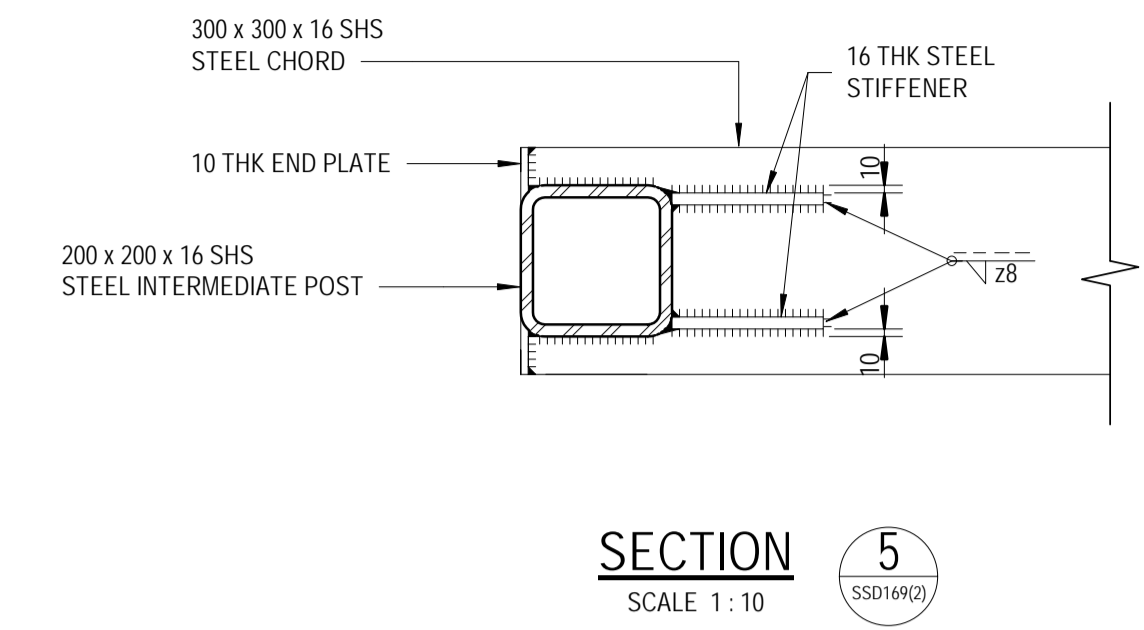
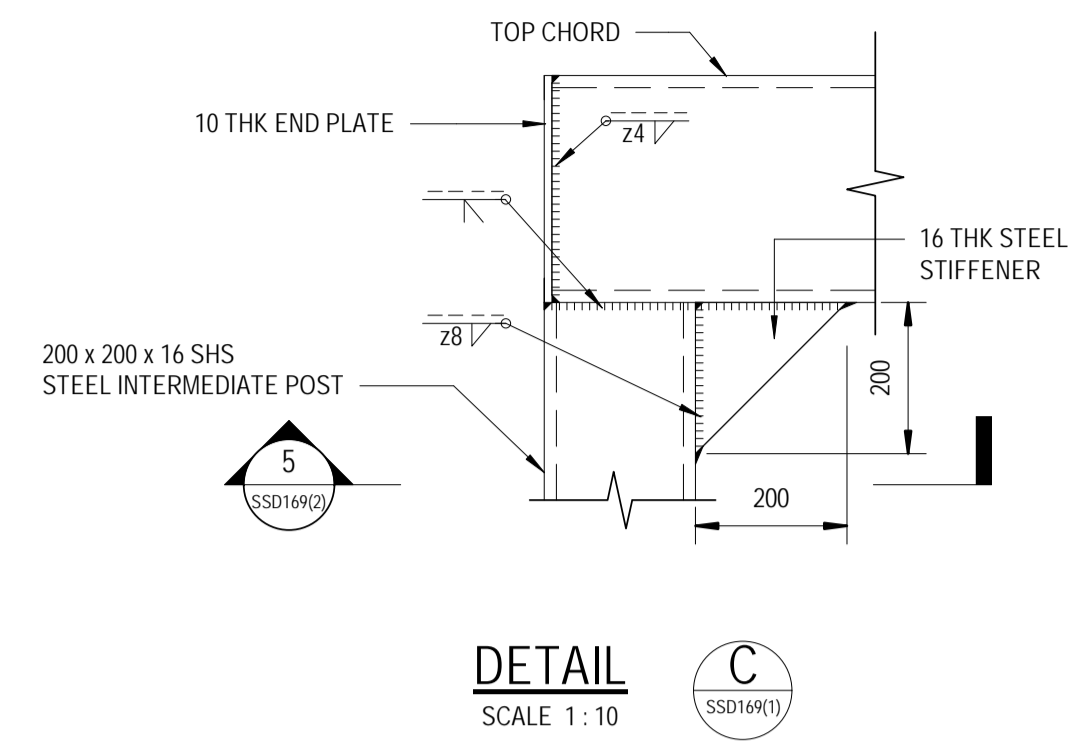
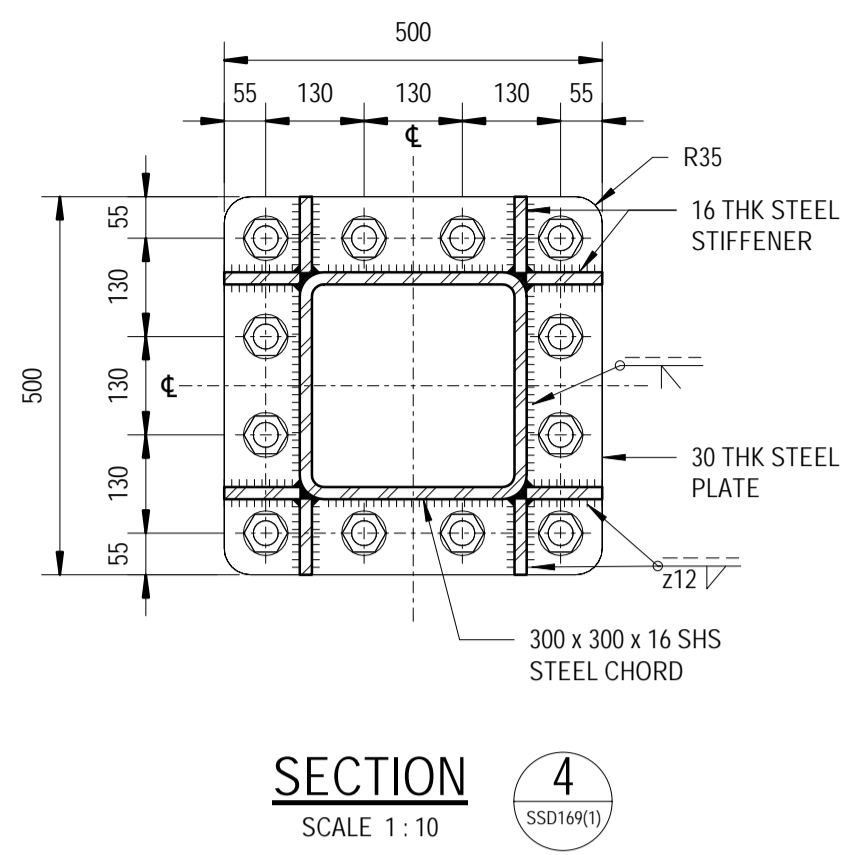
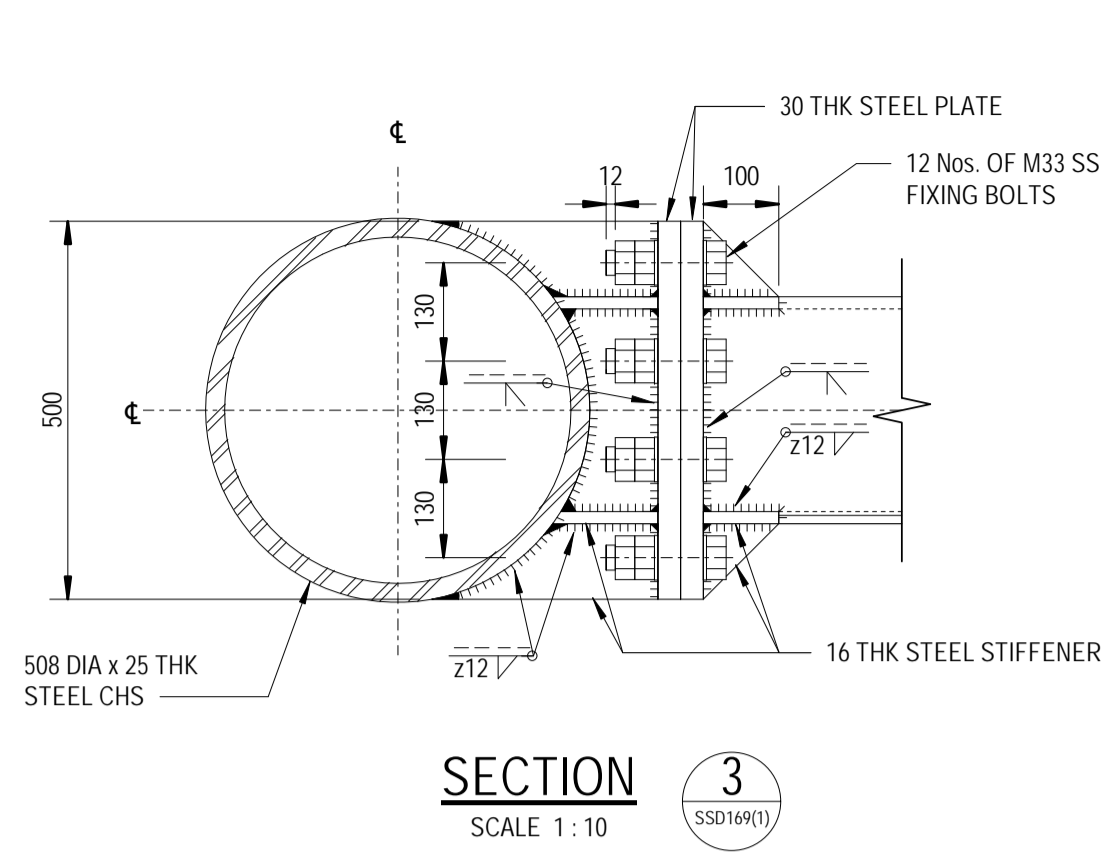


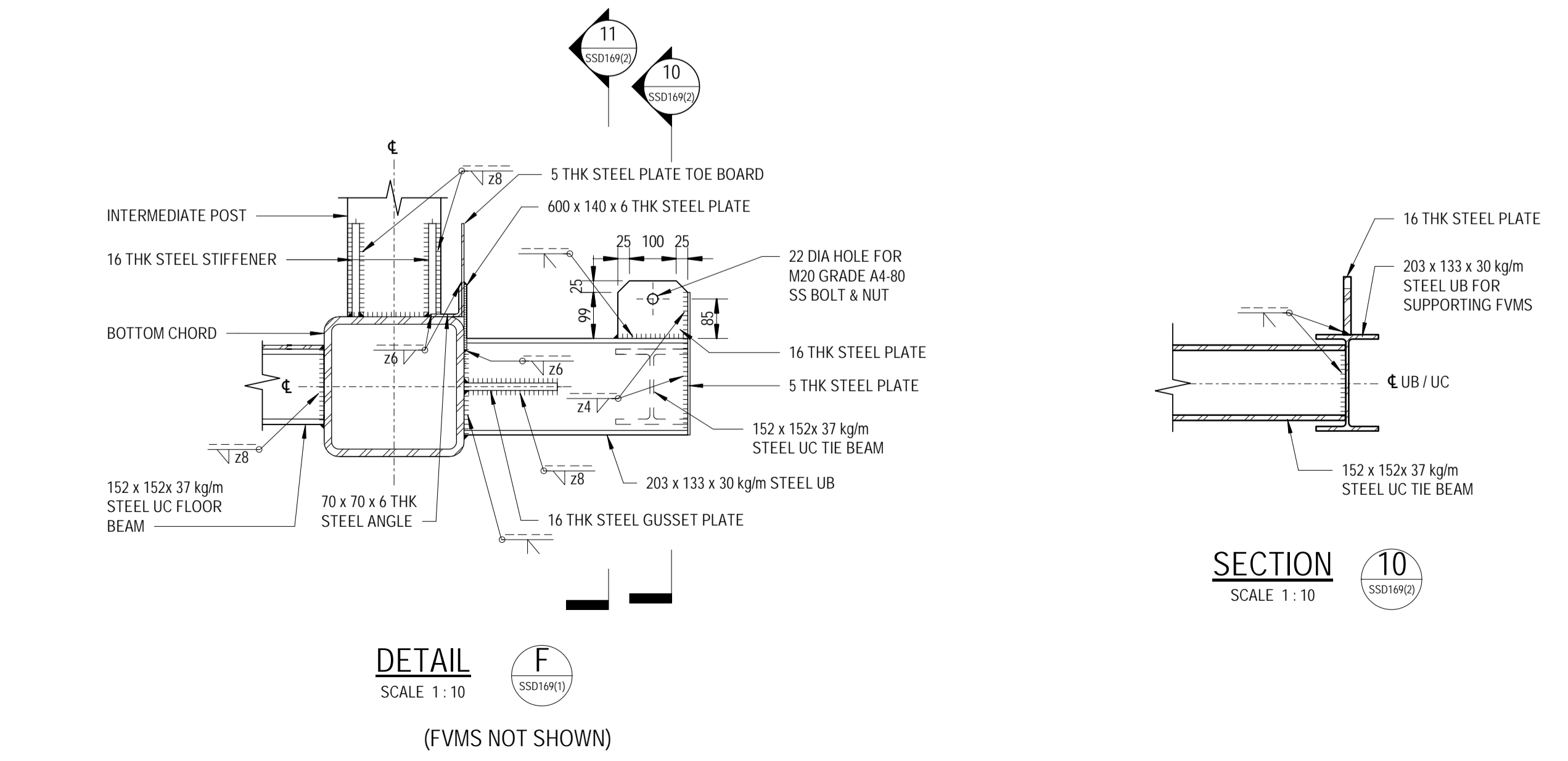
NOTES:

- THIS DRAWING SHALL BE READ IN CONJUNCTION WITH DRAWING No. SSD169 (1)

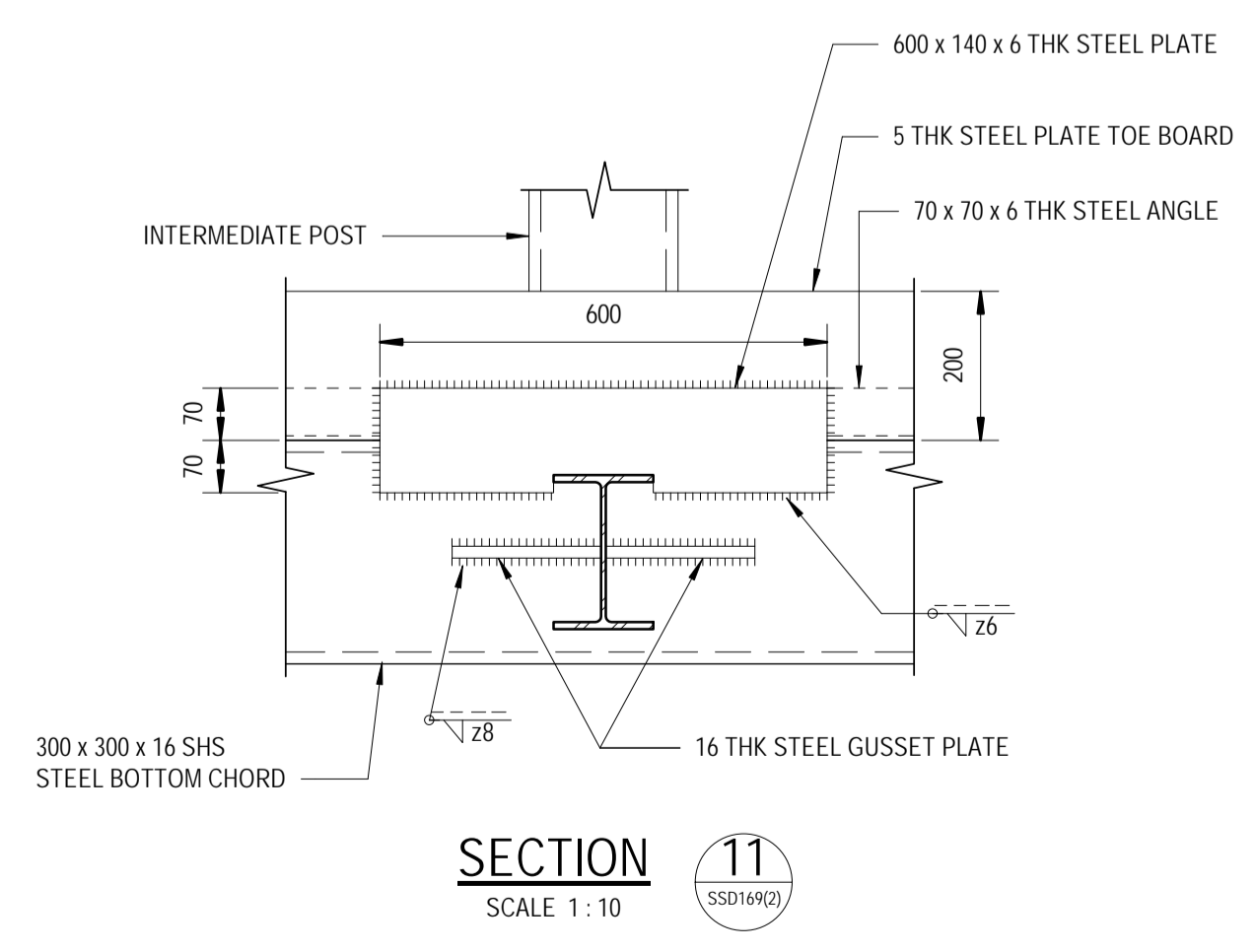


DETAIL E
SCALE 1:10

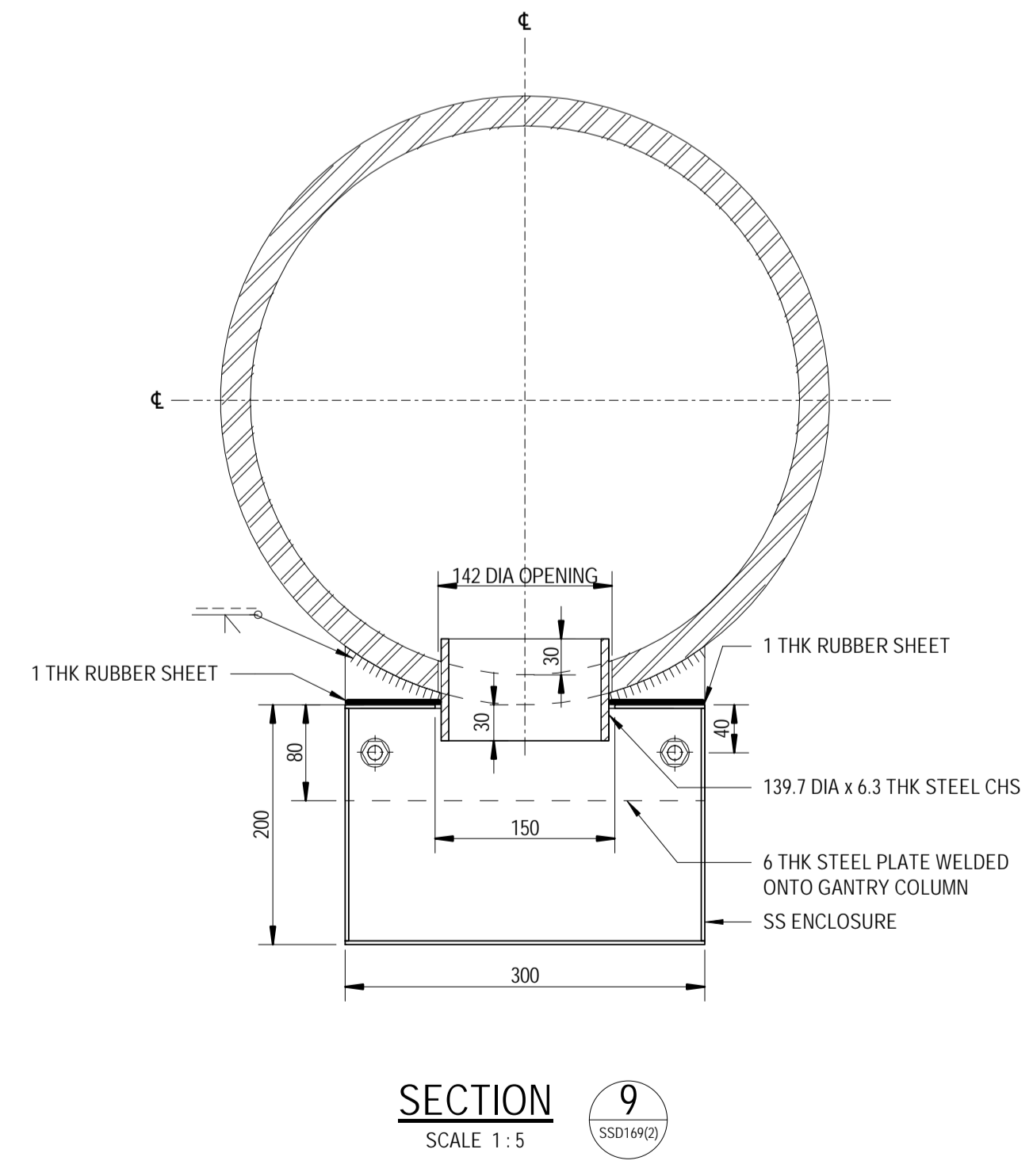
SECTION 7
SCALE 1:10



SECTION 10
SCALE 1:10



SECTION 11
SCALE 1:10



SECTION 9
SCALE 1:5

no.	date	description	initial
REVISION			
		name	signature
designed		C. W. LO	SIGNED
drawn		S. Y. YEUNG	SIGNED
checked		senior technical officer	
		K. W. FUNG	SIGNED
		project engineer	
		C. W. LO	SIGNED
		senior engineer	
		M. H. TAM	SIGNED

approved
 SIGNED
 Franky F K PONG
 Chief Highway Engineer
 08/2022
 date

contract no.
 file no. HyD BS/10-9/20
 project no.
 contract

drawing title
**TRAFFIC CONTROL AND SURVEILLANCE SYSTEM
 ROADSIDE CANTILEVER TYPE
 FULLY VARIABLE MESSAGE SIGN
 (SHEET 2 OF 4)**

drawing no. **SSD169(2)** scale AS SHOWN

office **BRIDGES AND STRUCTURES DIVISION**
 結橋構架部及
HIGHWAYS DEPARTMENT
 路政署
 HONG KONG

