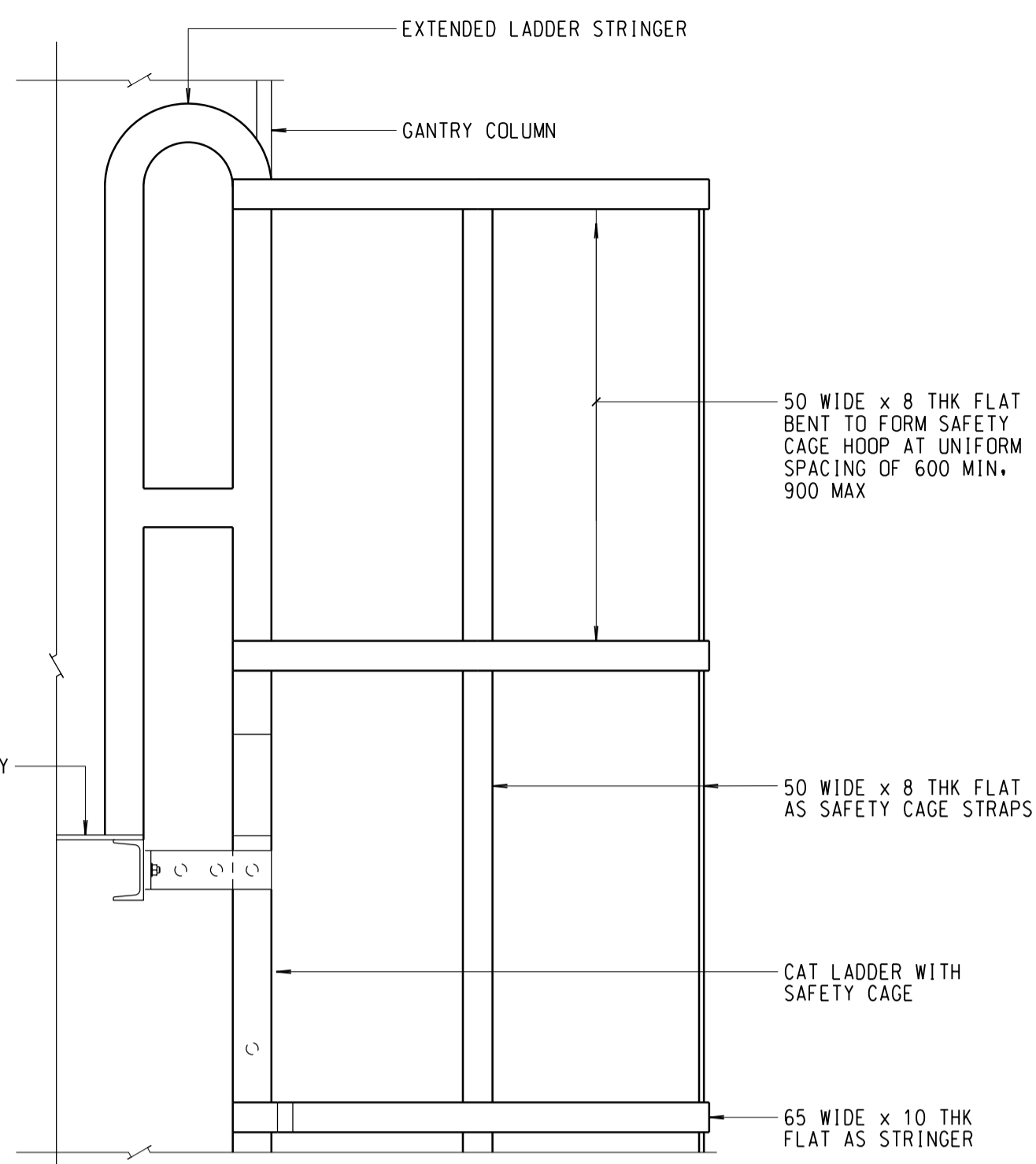
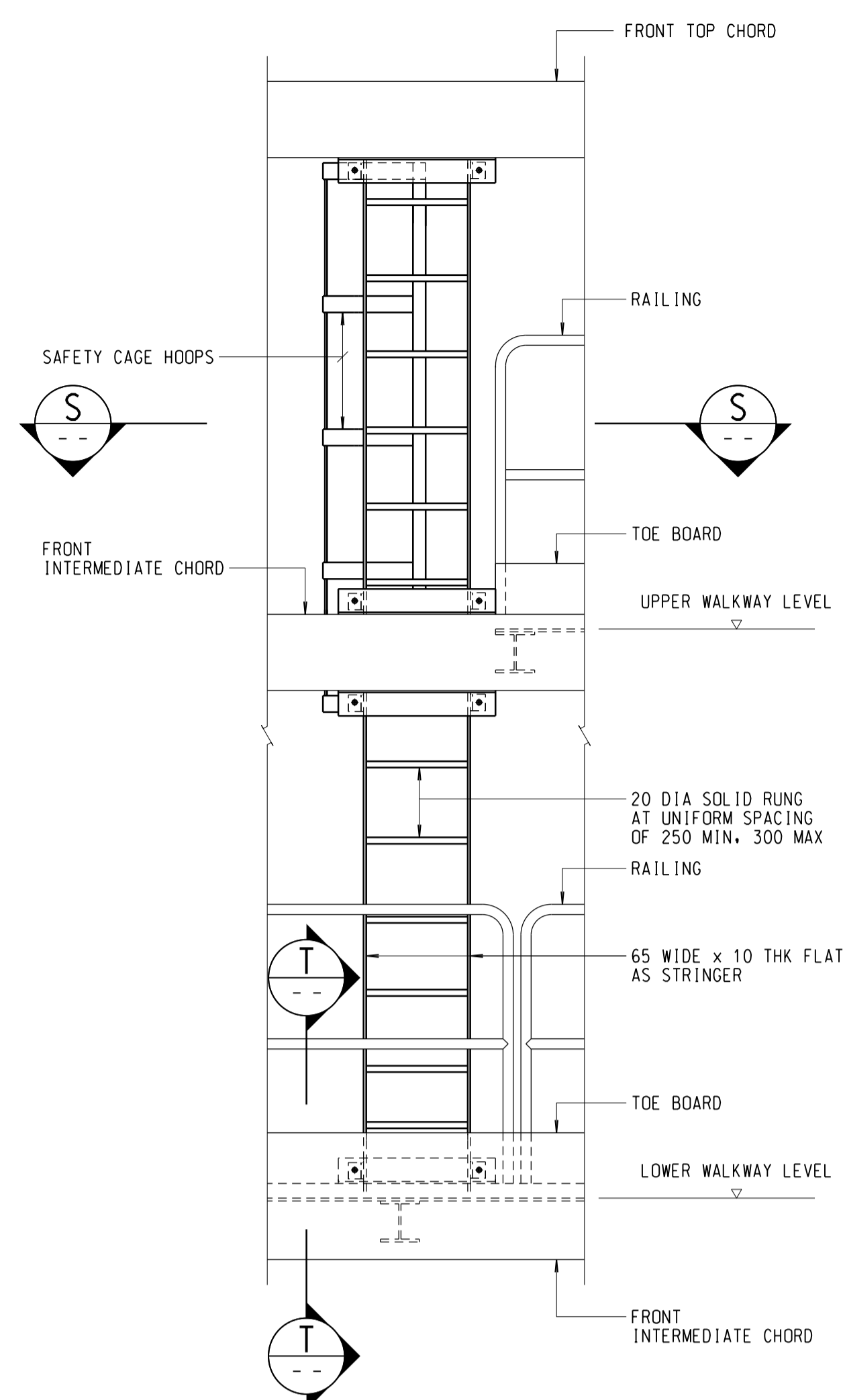


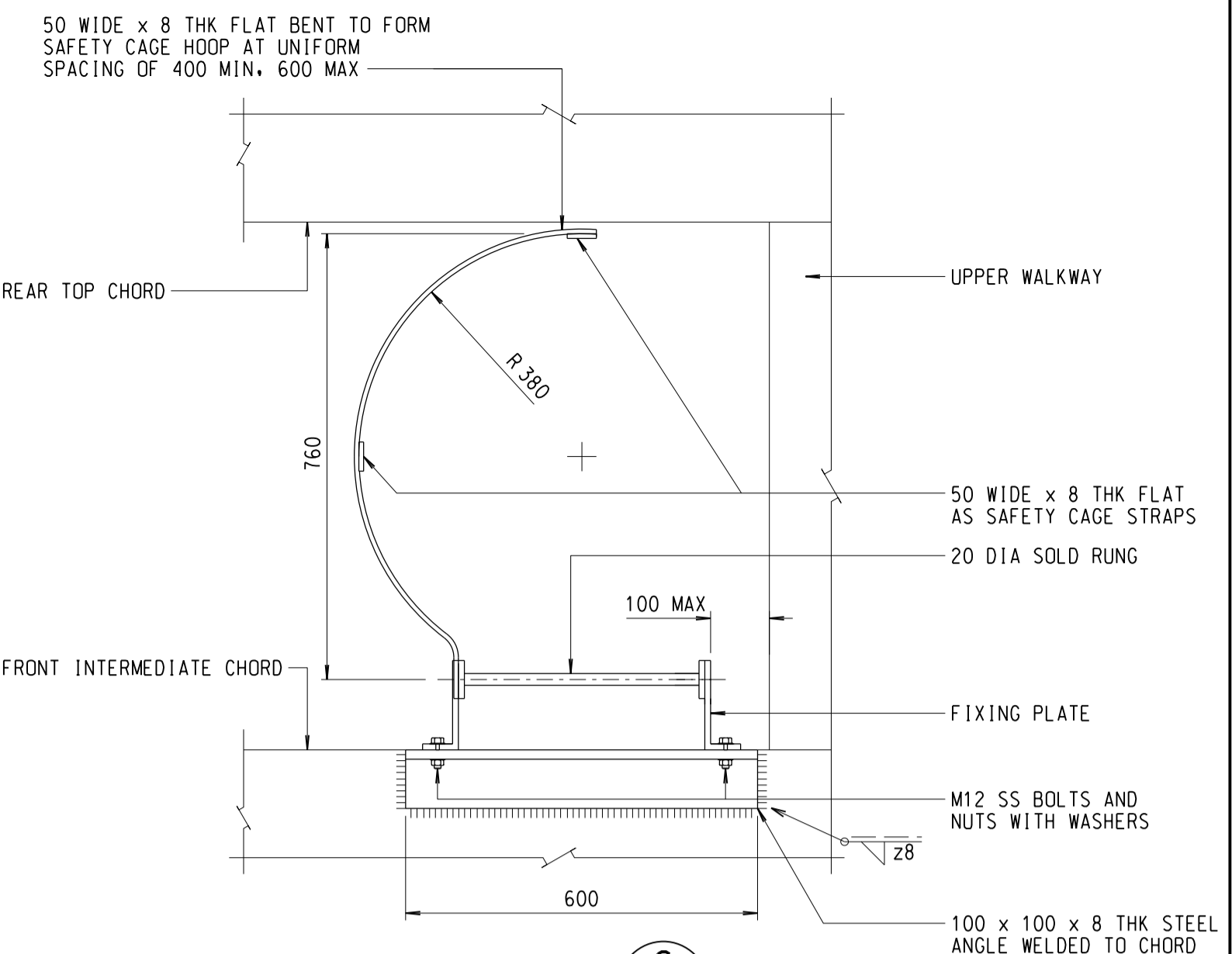
**TOP END OF CAT LADDER WITH SAFETY CAGE**  
ELEVATION  
SCALE 1:10



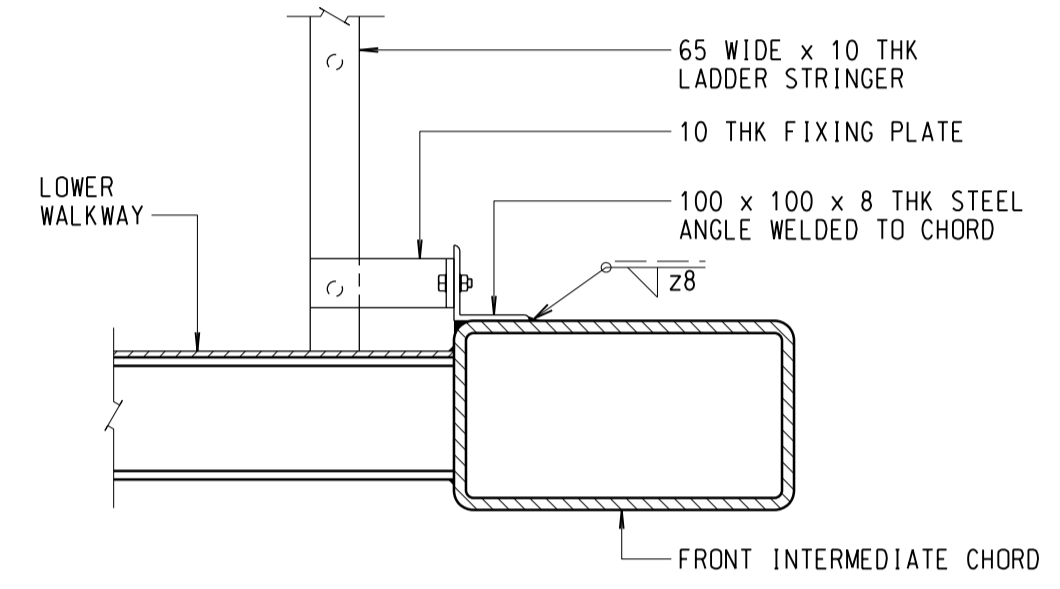
**ELEVATION Q**  
SCALE 1:10



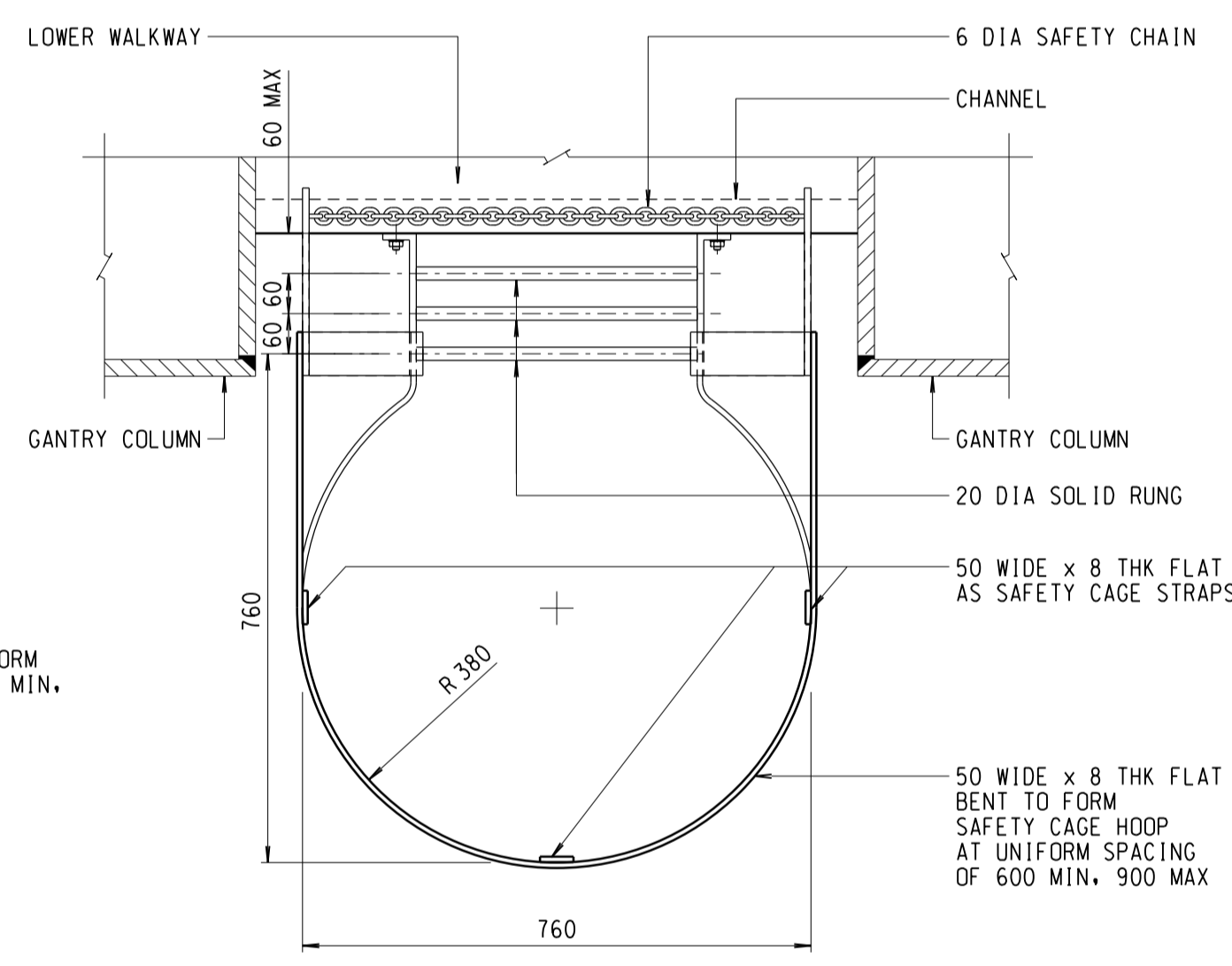
**PLATFORM CAT LADDER WITH SAFETY CAGE**  
ELEVATION  
SCALE 1:20



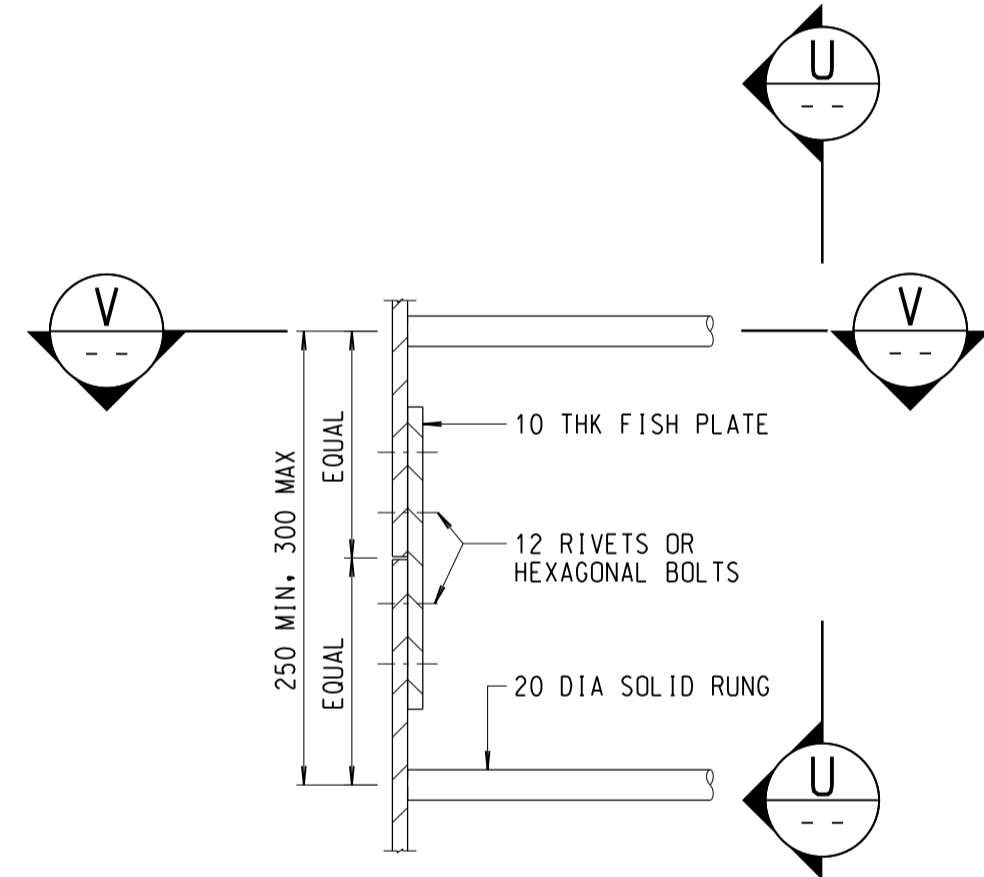
**SECTION S**  
SCALE 1:10  
(RAILING NOT SHOWN FOR CLARITY)



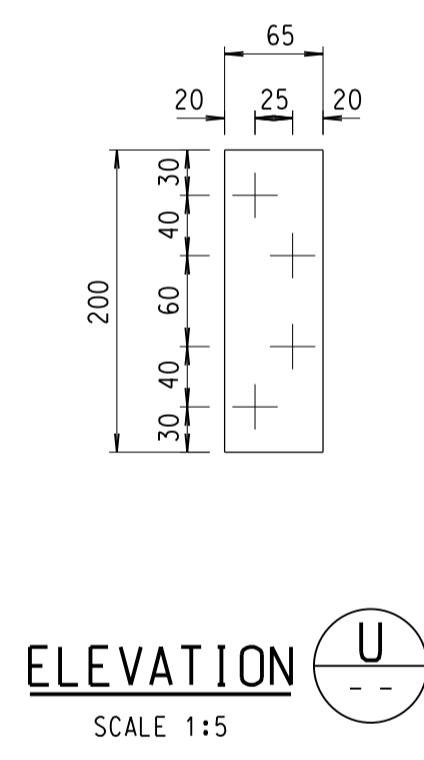
**SECTION T**  
SCALE 1:10  
(RAILING AND TOE BOARD NOT SHOWN FOR CLARITY)



**SECTION R**  
SCALE 1:10

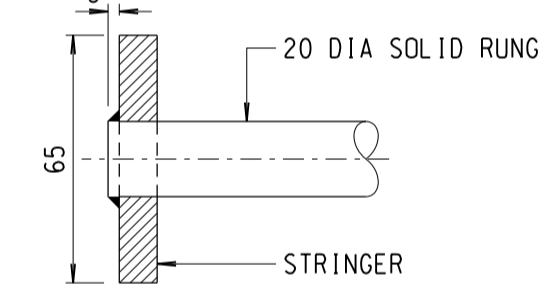


**TYPICAL ELEVATION**  
SCALE 1:5

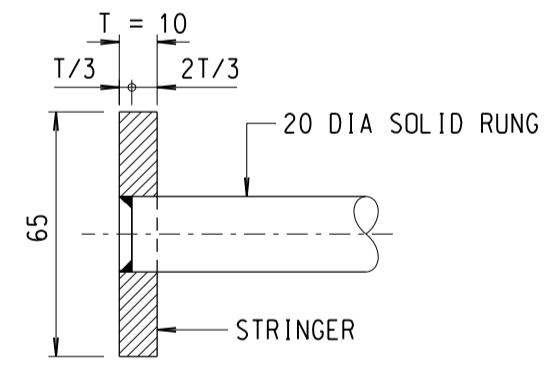


**ELEVATION U**  
SCALE 1:5

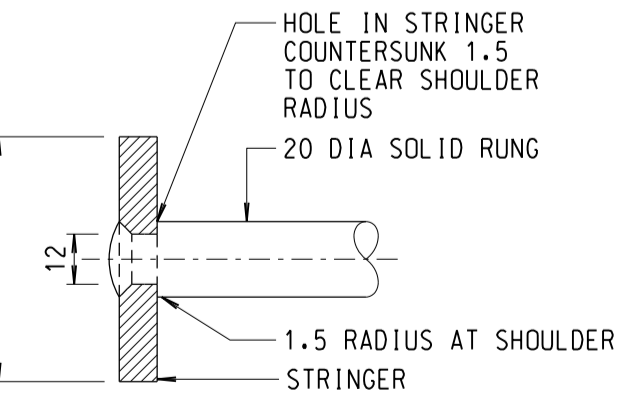
**FISH PLATE CONNECTION DETAILS OF CAT LADDER**



**SECTION V**  
SCALE 1:2  
(WELDED TYPE 1)

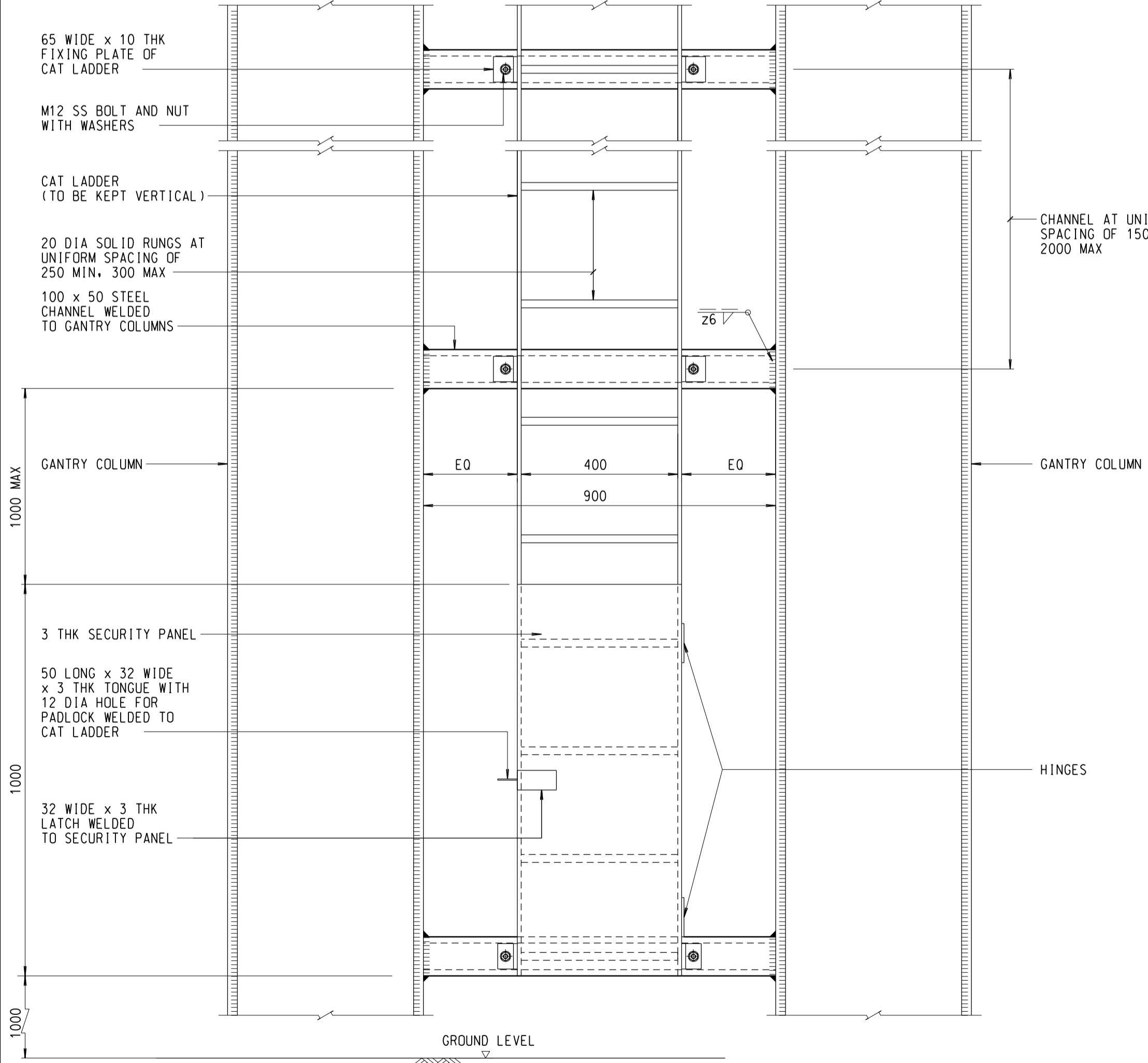


**SECTION V**  
SCALE 1:2  
(WELDED TYPE 2)

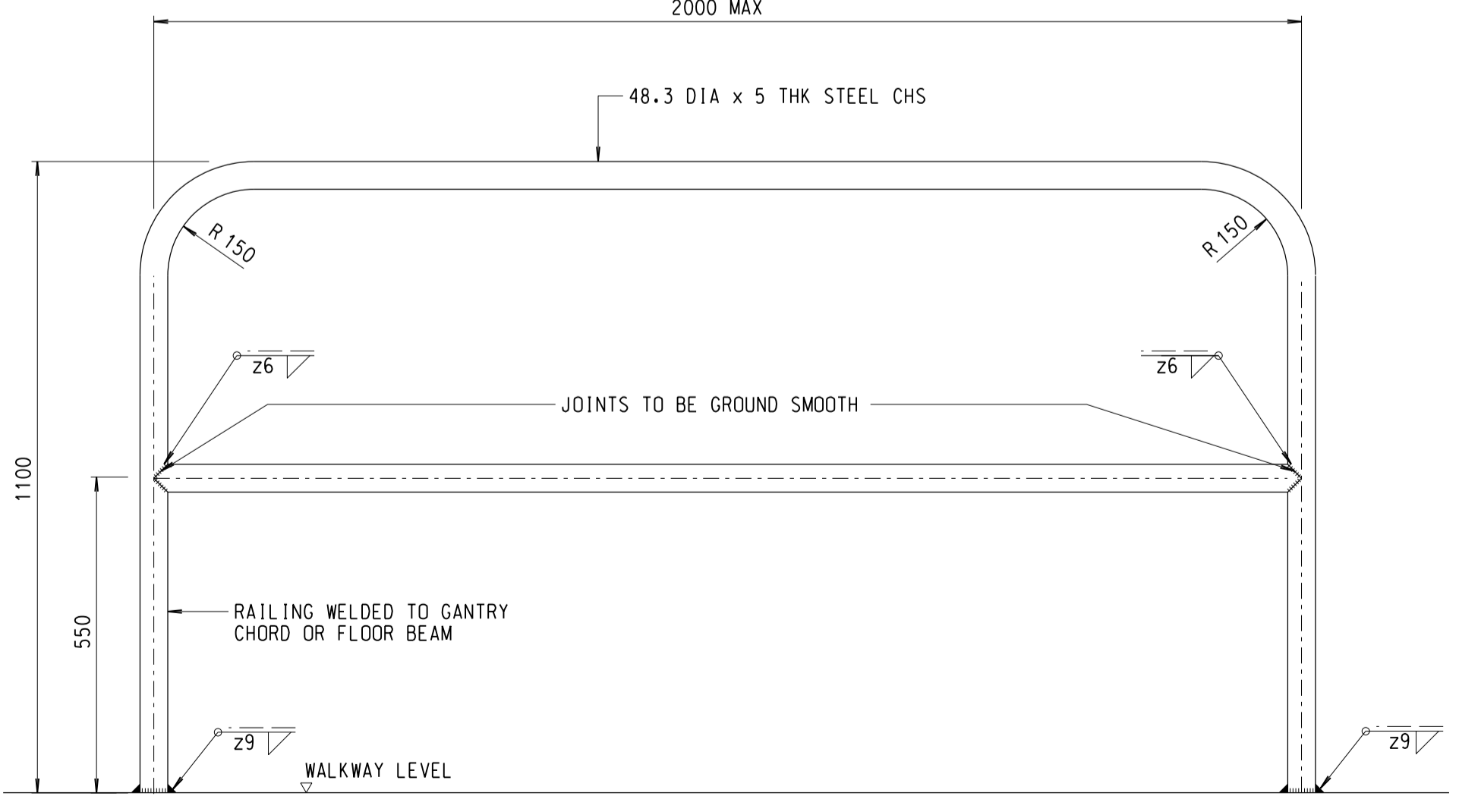


**SECTION V**  
SCALE 1:2  
(RIVETED)

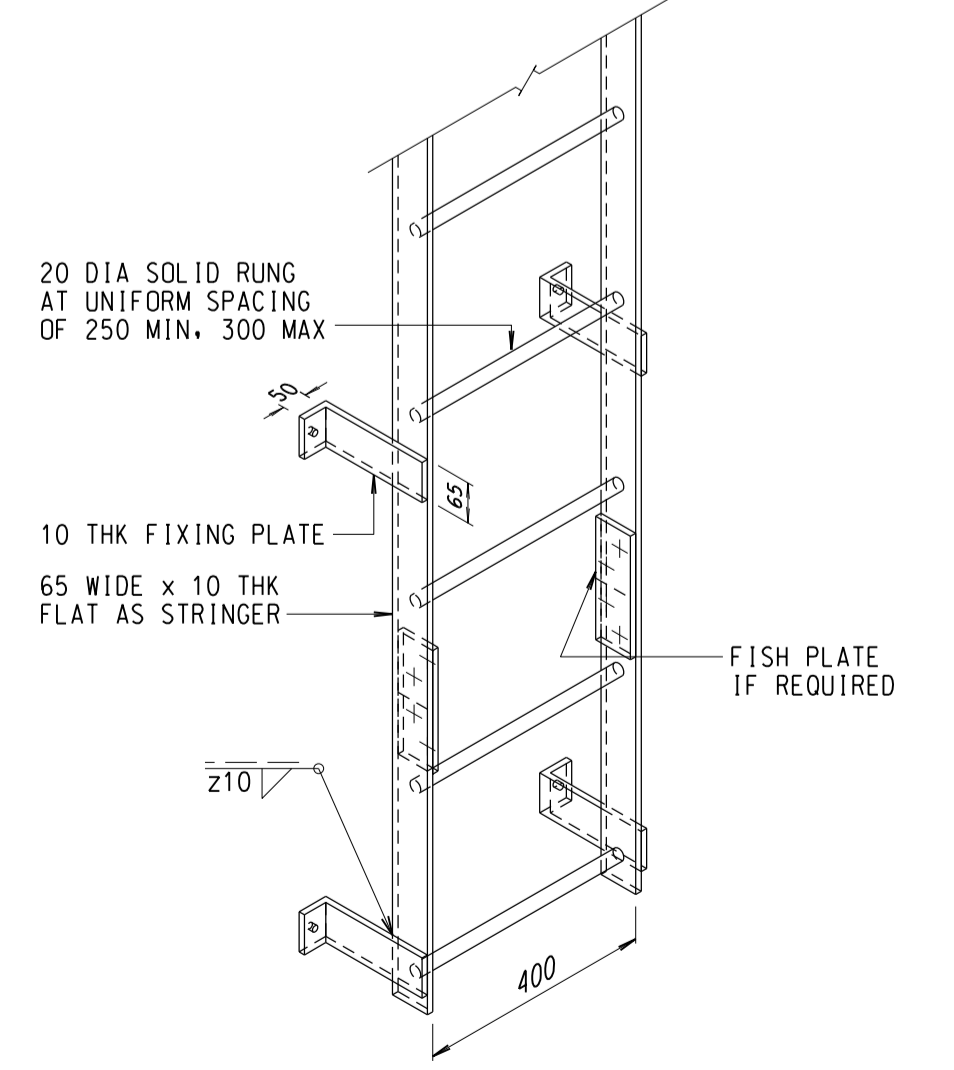
(NOTE: SOLID RUNGS SHALL BE EITHER WELDED OR RIVETED TO STRINGERS ACCORDING TO EITHER ONE OF THE ABOVE DETAILS)



**BOTTOM END OF CAT LADDER**  
ELEVATION  
SCALE 1:10  
(SAFETY CAGE NOT SHOWN FOR CLARITY)



**TYPICAL RAILING DETAILS**  
SCALE 1:10



**ISOMETRIC VIEW OF CAT LADDER**  
DIAGRAMMATIC

NOTES:  
1. THIS DRAWING SHALL BE READ IN CONJUNCTION WITH DRAWING No. SSD160(1).

A	11/16	GENERAL REVISION	SIGNED C.P. WONG, E/P2-3
			SIGNED P.T. LEUNG, SE/P2
no	date	description	initial
REVISION			
designed	K. S. LAM	SIGNED	04/11
drawn	W. K. WOO	SIGNED	04/11
senior technical officer	Y. W. CHIN	SIGNED	08/11
project engineer	K. S. LAM	SIGNED	08/11
senior engineer	P. T. LEUNG	SIGNED	08/11
checked			
approved		SIGNED P. K. LEE Chief Highway Engineer	05/08/2011 date
contract no.			
file no.	STR 5/40/18		
project no.			
contract			

TRAFFIC CONTROL AND SURVEILLANCE SYSTEM  
SIGN GANTRY TYPE E  
FOR FULLY VARIABLE MESSAGE SIGN WITH FIXED DIRECTIONAL SIGN  
(SHEET 4 OF 4)

drawing no. SSD160(4)-A  
scale AS SHOWN

office BRIDGES AND STRUCTURES DIVISION  
HONG KONG  
結 構 橋 樑 部 及 路 政 署  
HONG KONG DEPARTMENT OF HIGHWAYS