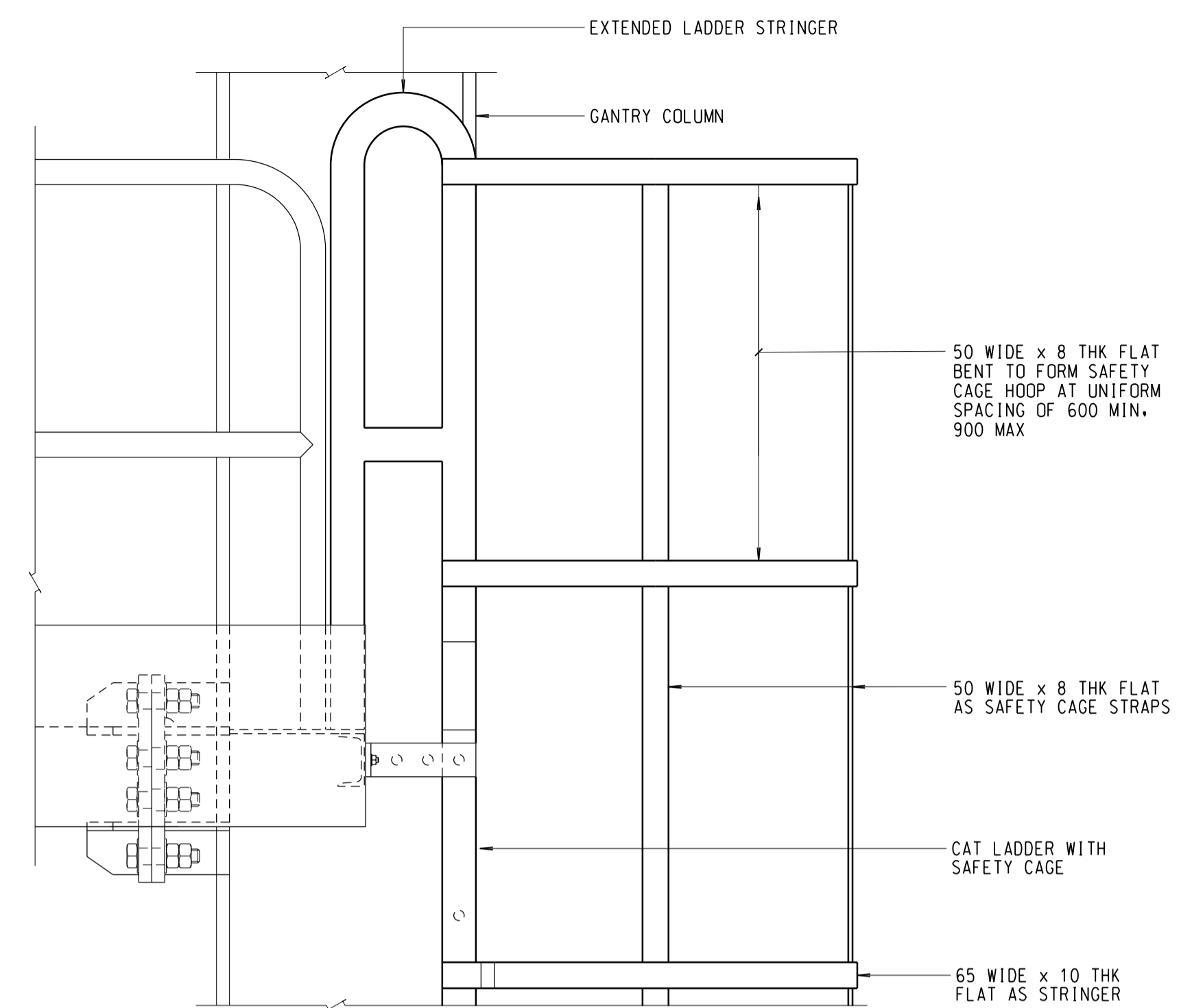
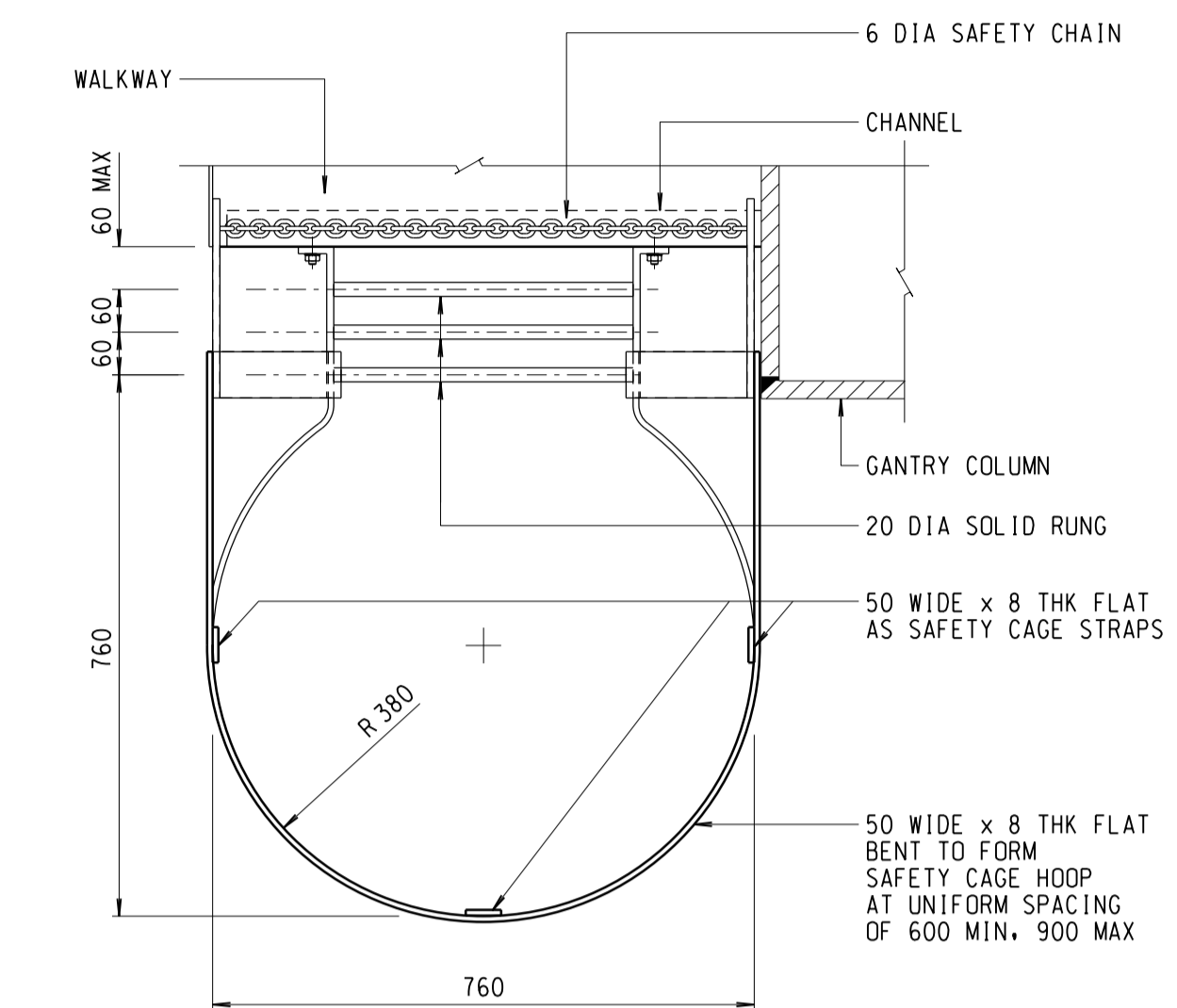


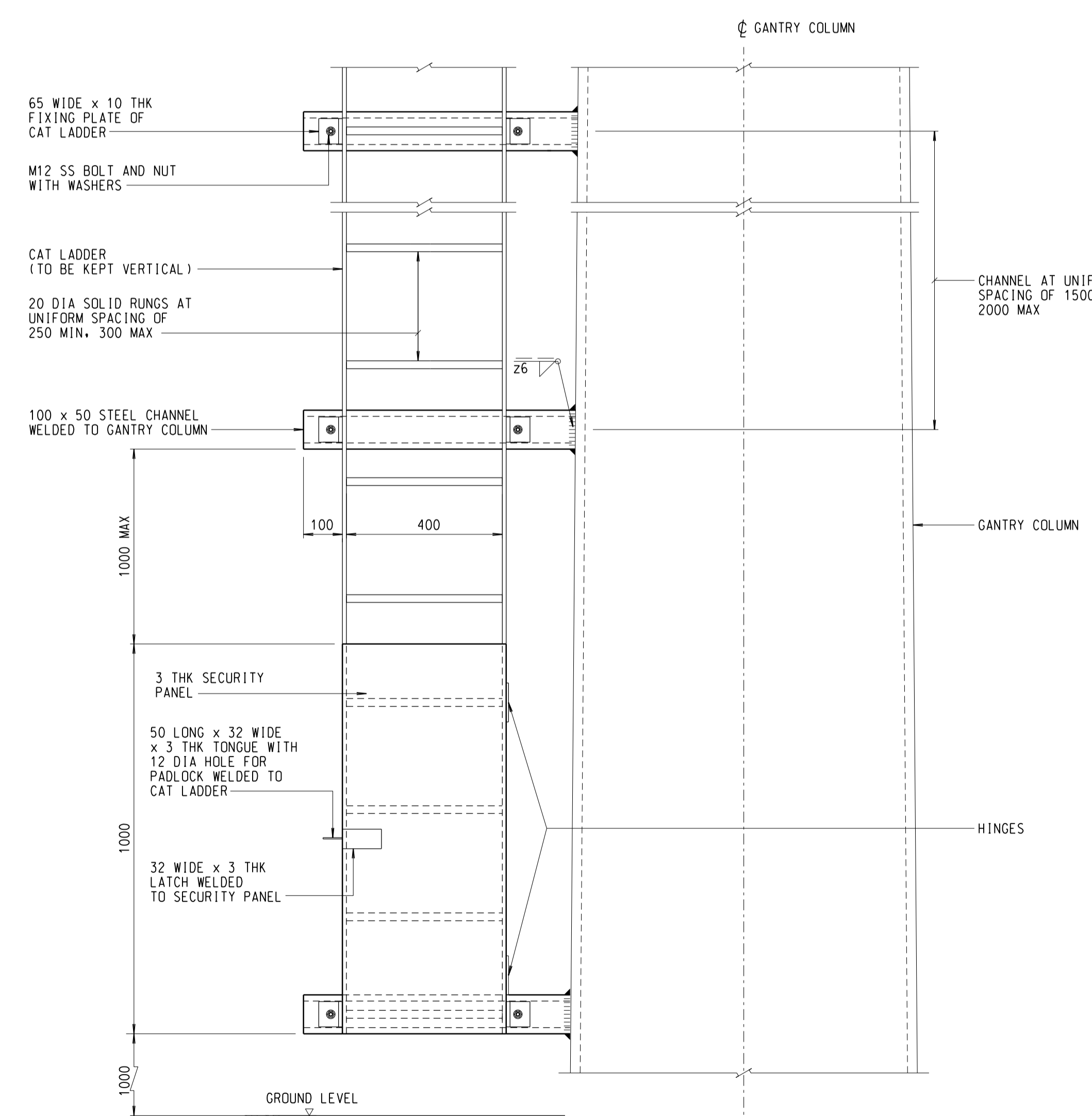
TOP END OF CAT LADDER WITH SAFETY CAGE ELEVATION
SCALE 1:10



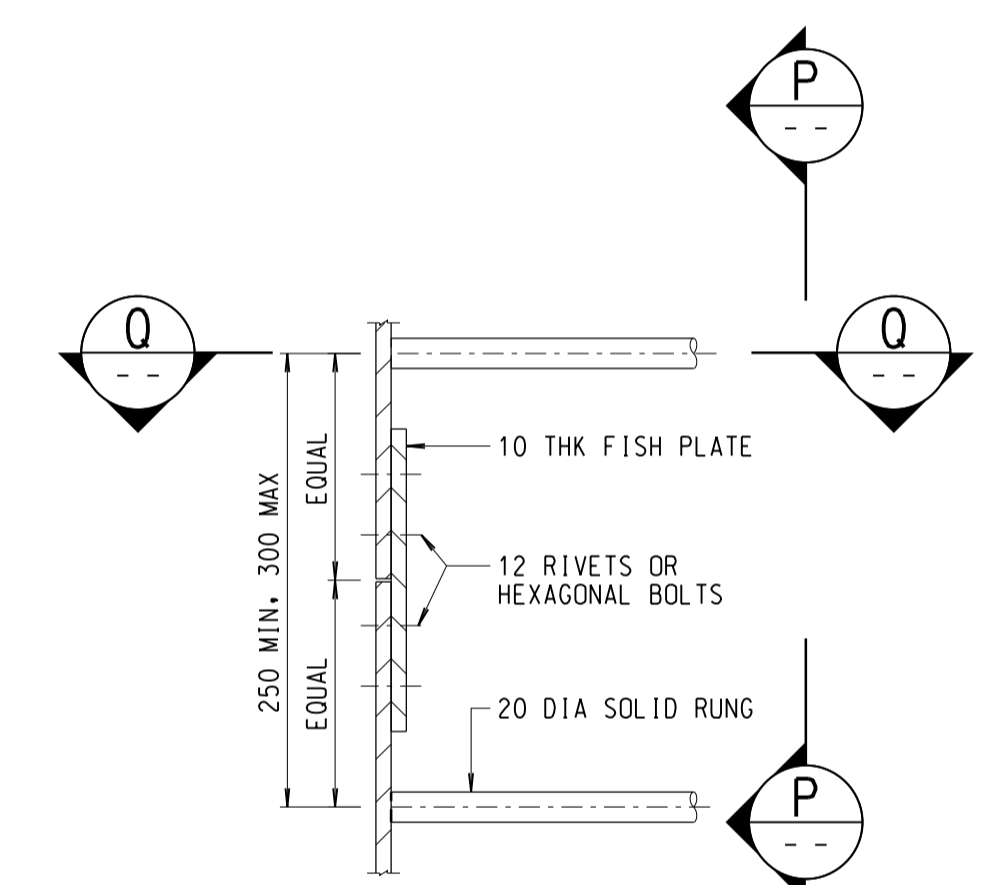
ELEVATION M
SCALE 1:10



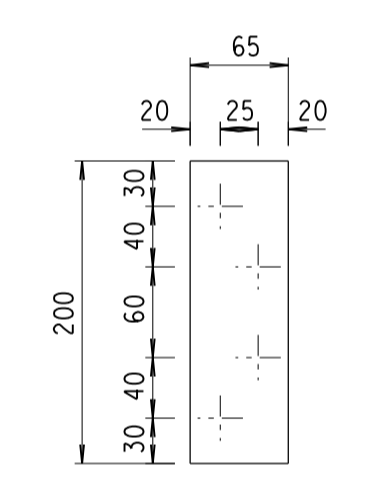
SECTION N
SCALE 1:10
(RAILING NOT SHOWN FOR CLARITY)



BOTTOM END OF CAT LADDER ELEVATION
SCALE 1:10
(SAFETY CAGE NOT SHOWN FOR CLARITY)

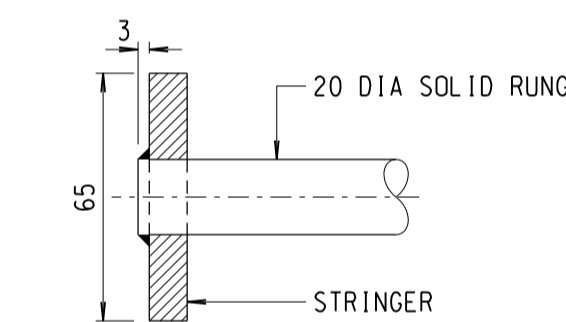


TYPICAL ELEVATION
SCALE 1:5

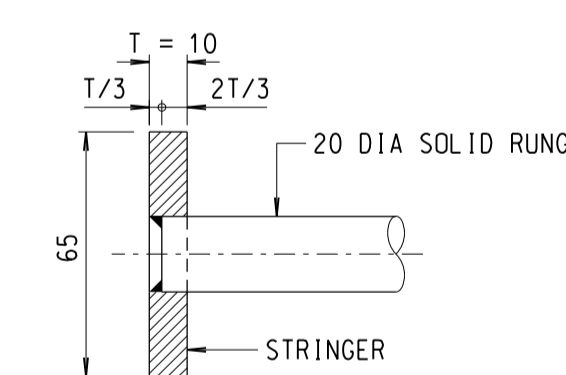


ELEVATION P
SCALE 1:5

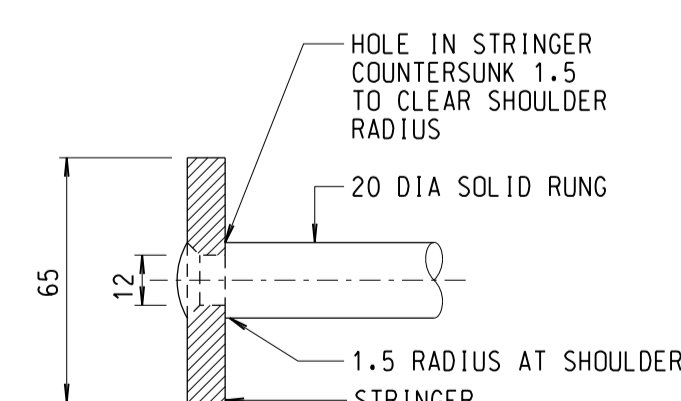
FISH PLATE CONNECTION DETAILS OF CAT LADDER



SECTION Q
SCALE 1:2
(WELDED TYPE 1)

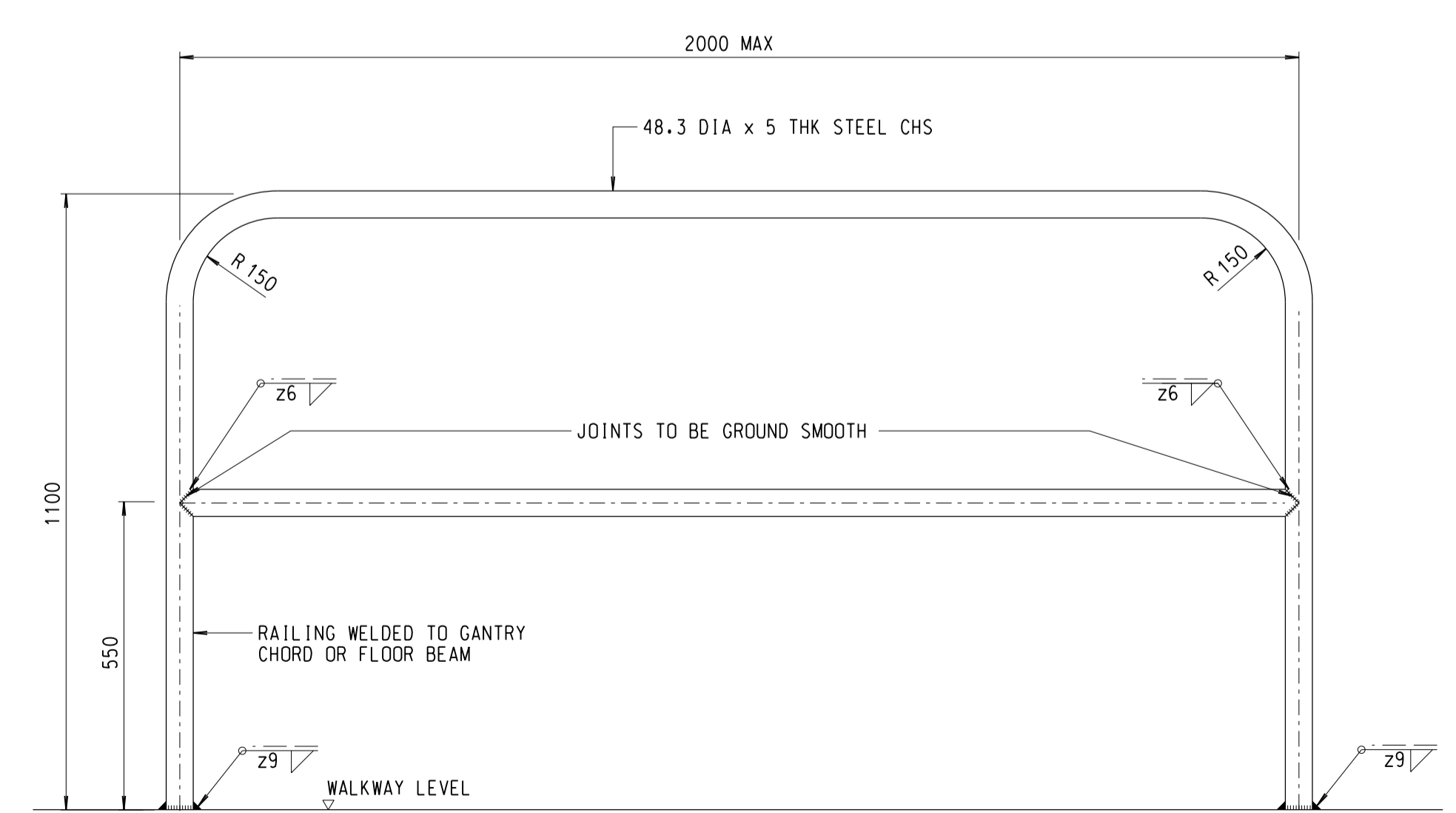


SECTION Q
SCALE 1:2
(WELDED TYPE 2)

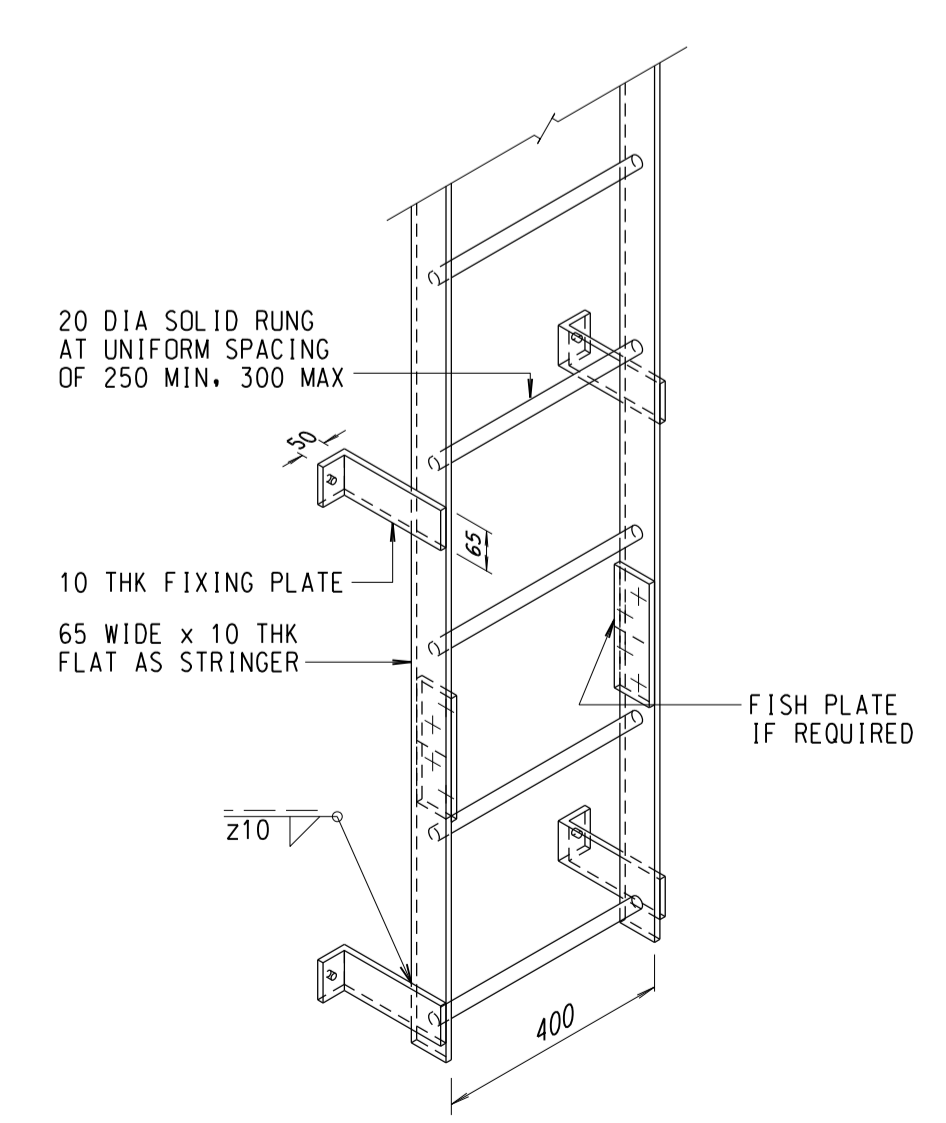


SECTION Q
SCALE 1:2
(RIVETED)

(NOTE: SOLID RUNGS SHALL BE EITHER WELDED OR RIVETED TO STRINGERS ACCORDING TO EITHER ONE OF THE ABOVE DETAILS)



TYPICAL RAILING DETAILS
SCALE 1:10



ISOMETRIC VIEW OF CAT LADDER
DIAGRAMMATIC

NOTES:
1. THIS DRAWING SHALL BE READ IN CONJUNCTION WITH DRAWING No. SSD159(1).

no.	date	description	initial
A	11/16	GENERAL REVISION	SIGNED C.P. WONG, E/P2-3
			SIGNED P.T. LEUNG, SE/P2

REVISION			
designed	name	signature	date
	K. S. LAM	SIGNED	04/11
drawn	W. K. WOO	SIGNED	04/11
senior technical officer	Y. W. CHIN	SIGNED	08/11
project engineer	K. S. LAM	SIGNED	08/11
senior engineer	P. T. LEUNG	SIGNED	08/11

approved
P. K. LEE
Chief Highway Engineer
05/08/2011
date

contract no. STR 5/40/18

project no.

contract

drawing title
TRAFFIC CONTROL AND SURVEILLANCE SYSTEM
SIGN GANTRY TYPE D
FOR PRISMATIC VARIABLE MESSAGE SIGN OR FIXED DIRECTIONAL SIGN WITH LANE CONTROL SIGNAL
(SHEET 4 OF 4)

drawing no. SSD159(4)-A
scale AS SHOWN

office BRIDGES AND STRUCTURES DIVISION
結 構 橋 樑 部 及

HIGHWAYS DEPARTMENT
HONG KONG
路 政 署 香 港

1:1 SCALE BAR

1:1 SCALE BAR

B1 SIZE 1000 X 707mm