

NOTES:
1. THIS DRAWING SHALL BE READ IN CONJUNCTION WITH DRAWING No. SSD156(1).

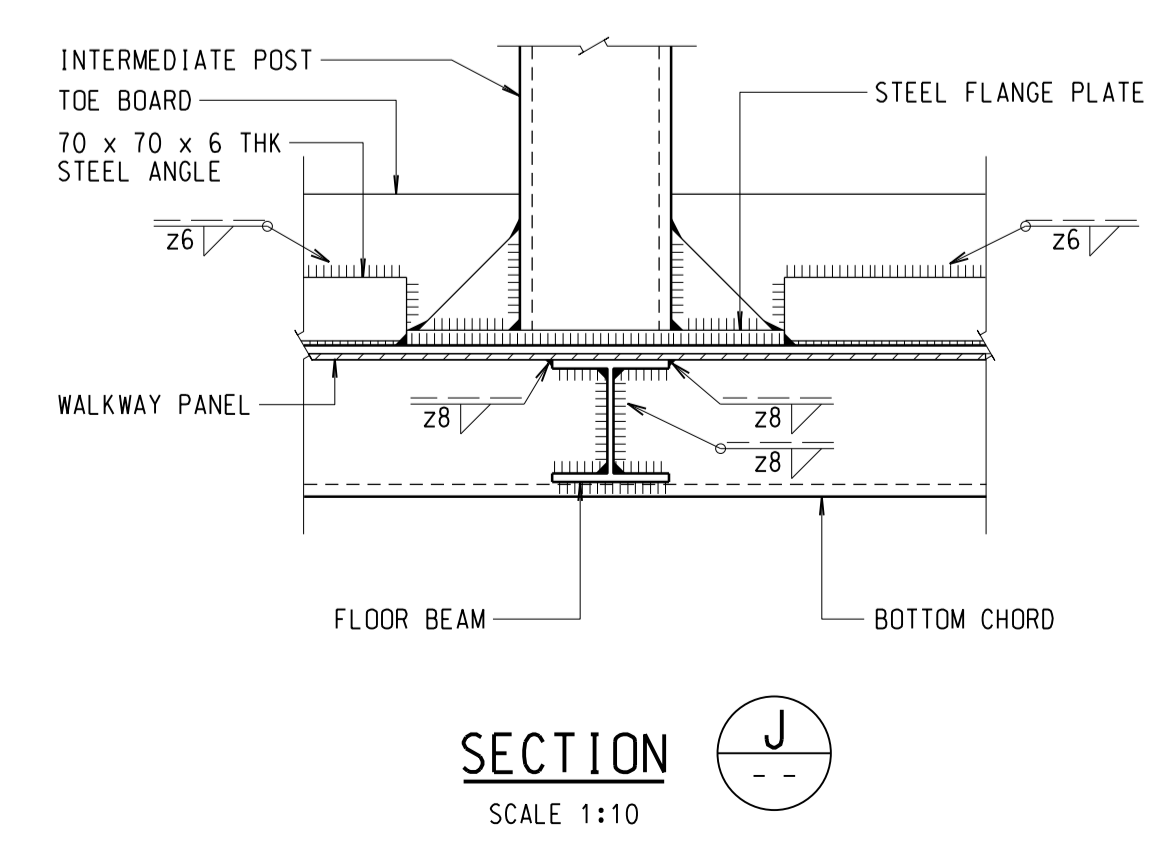
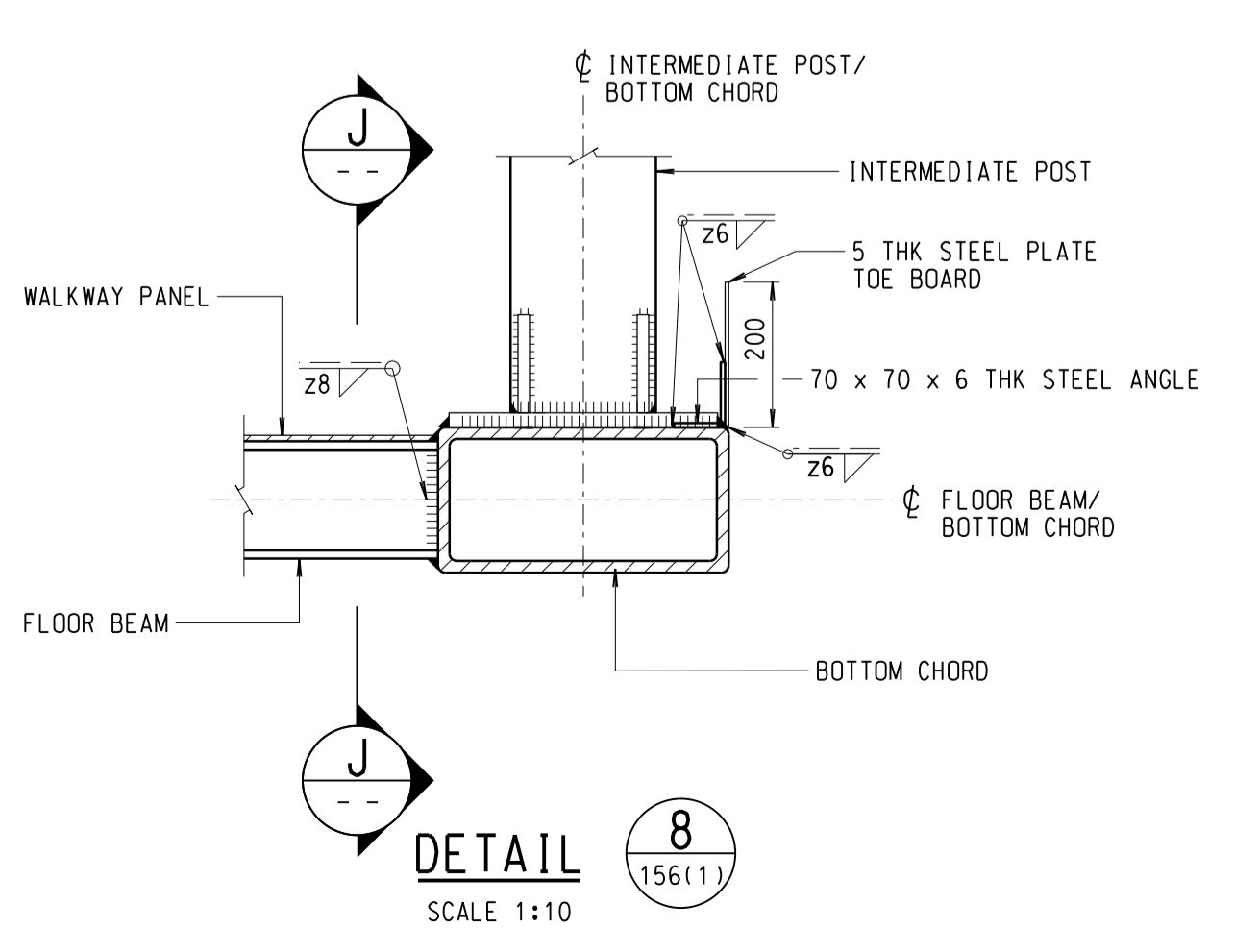
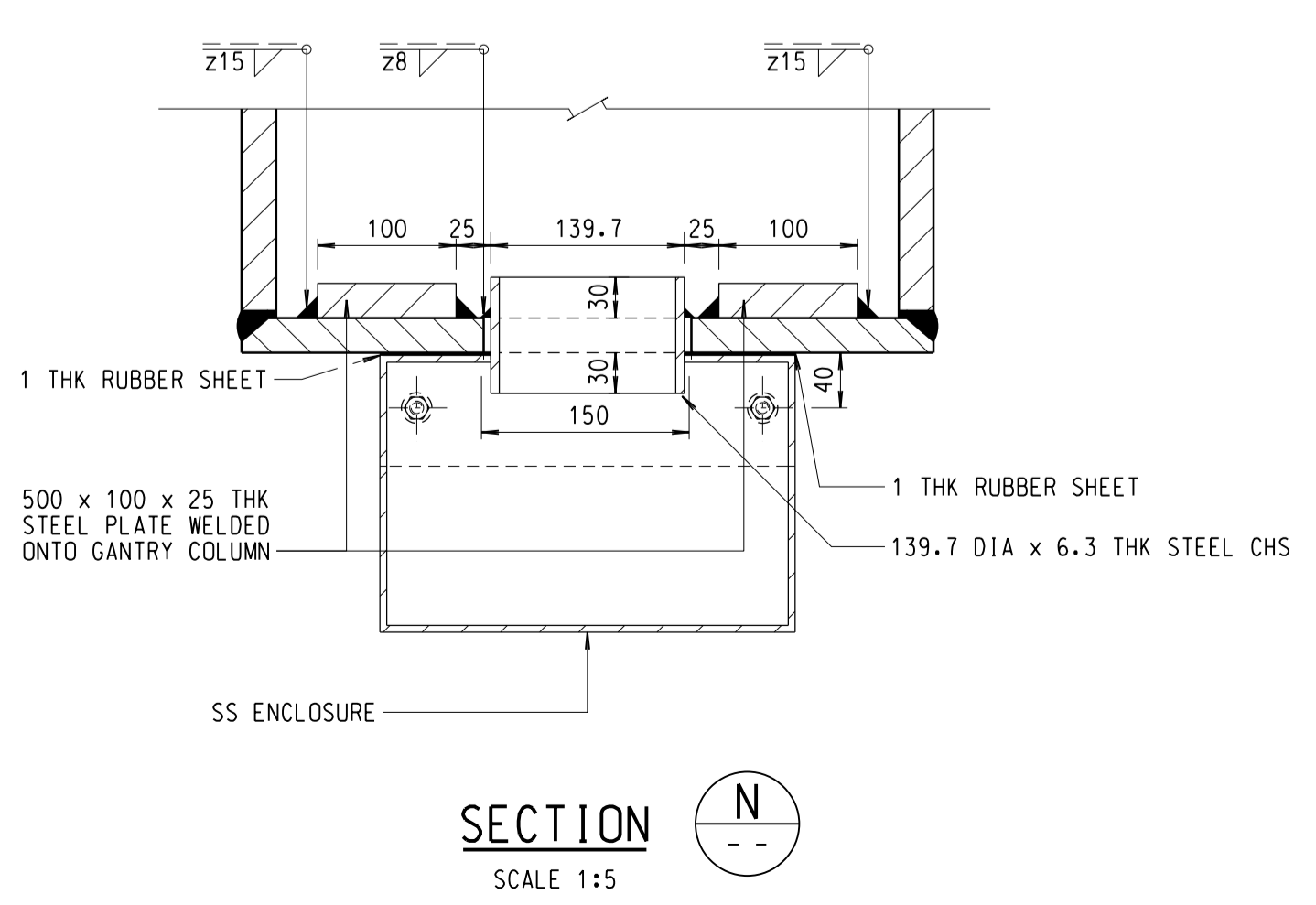
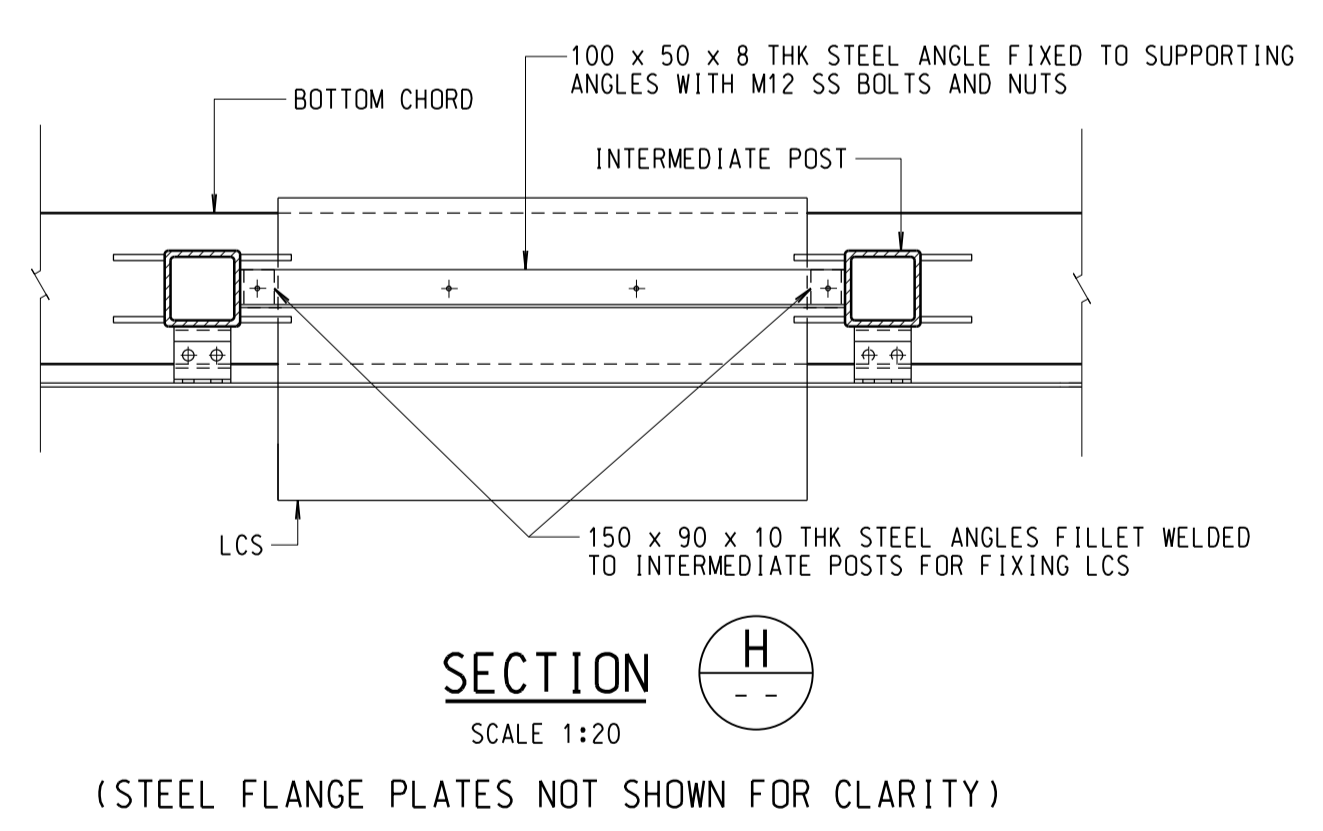
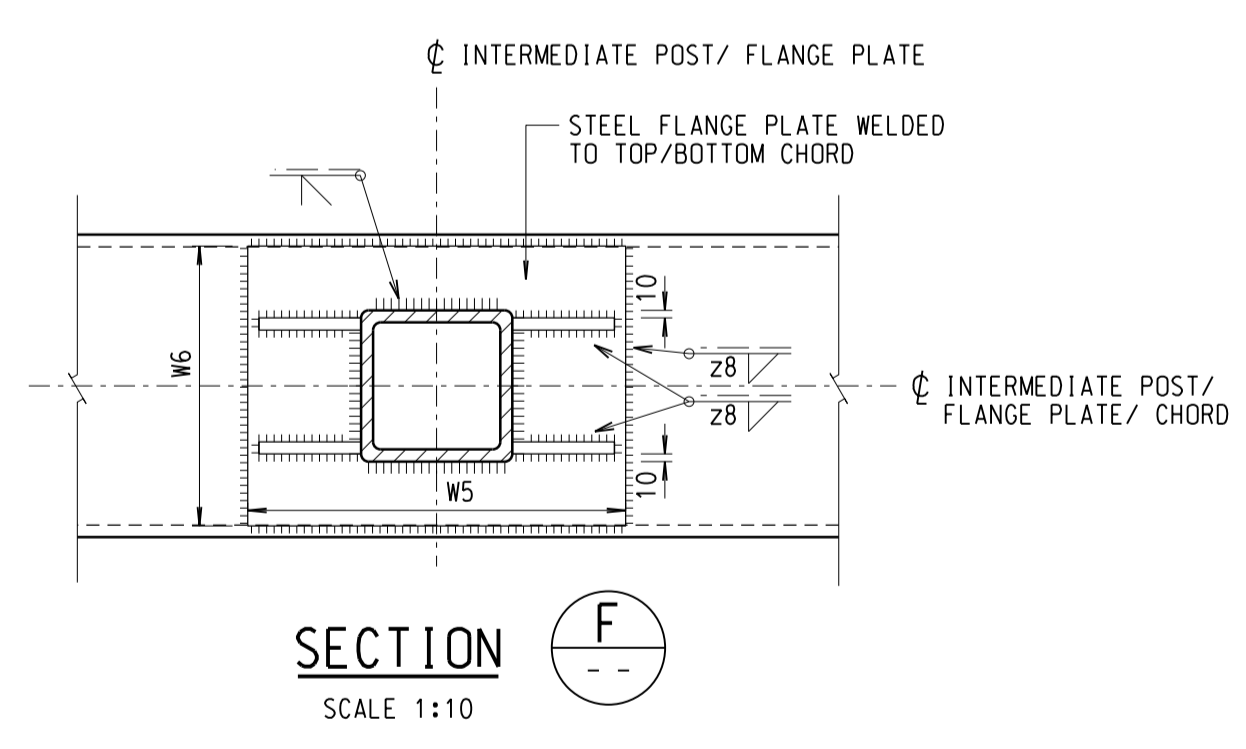
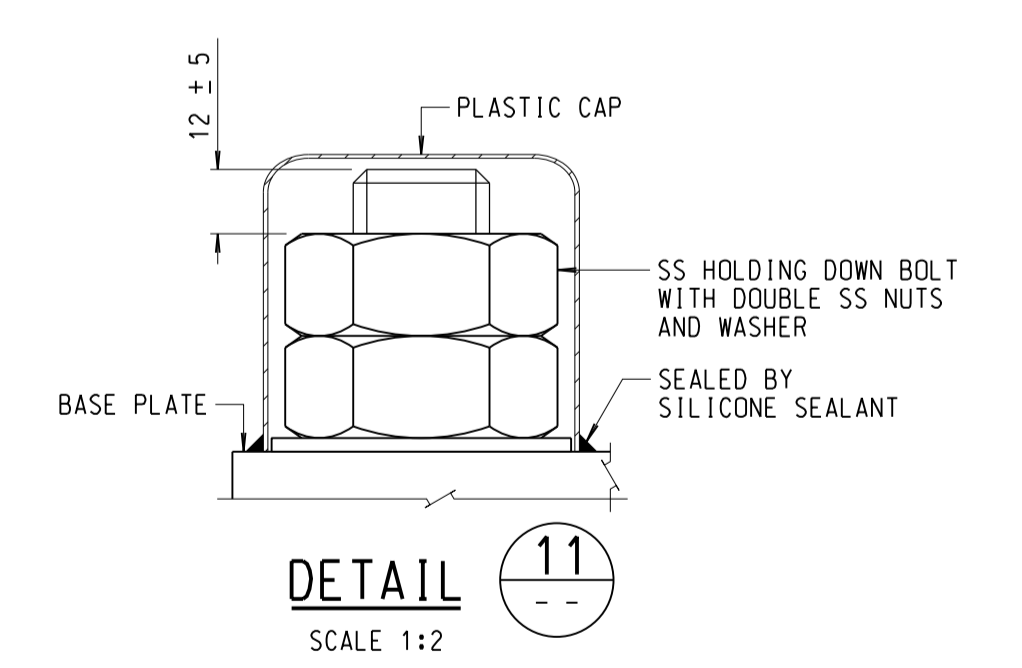
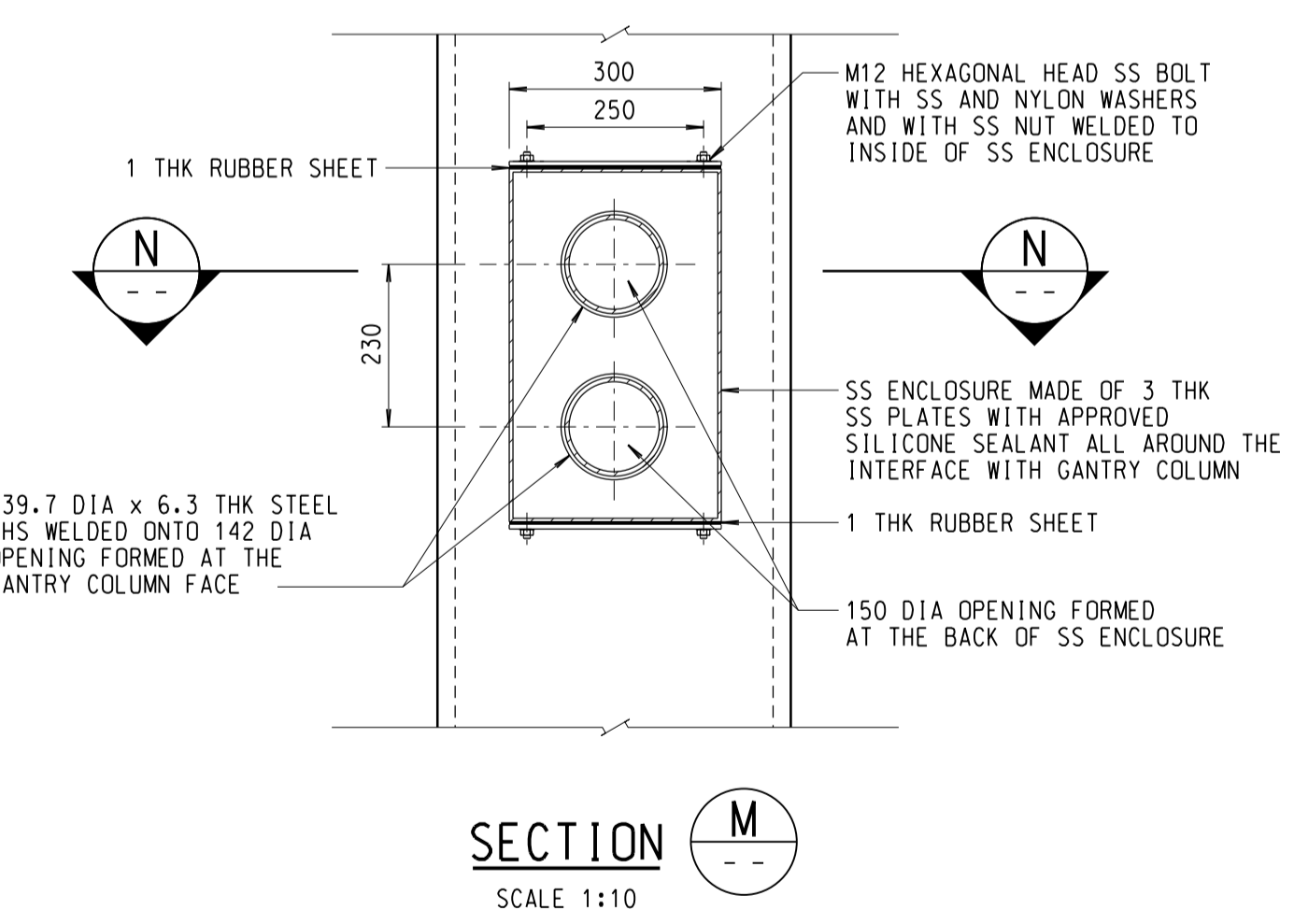
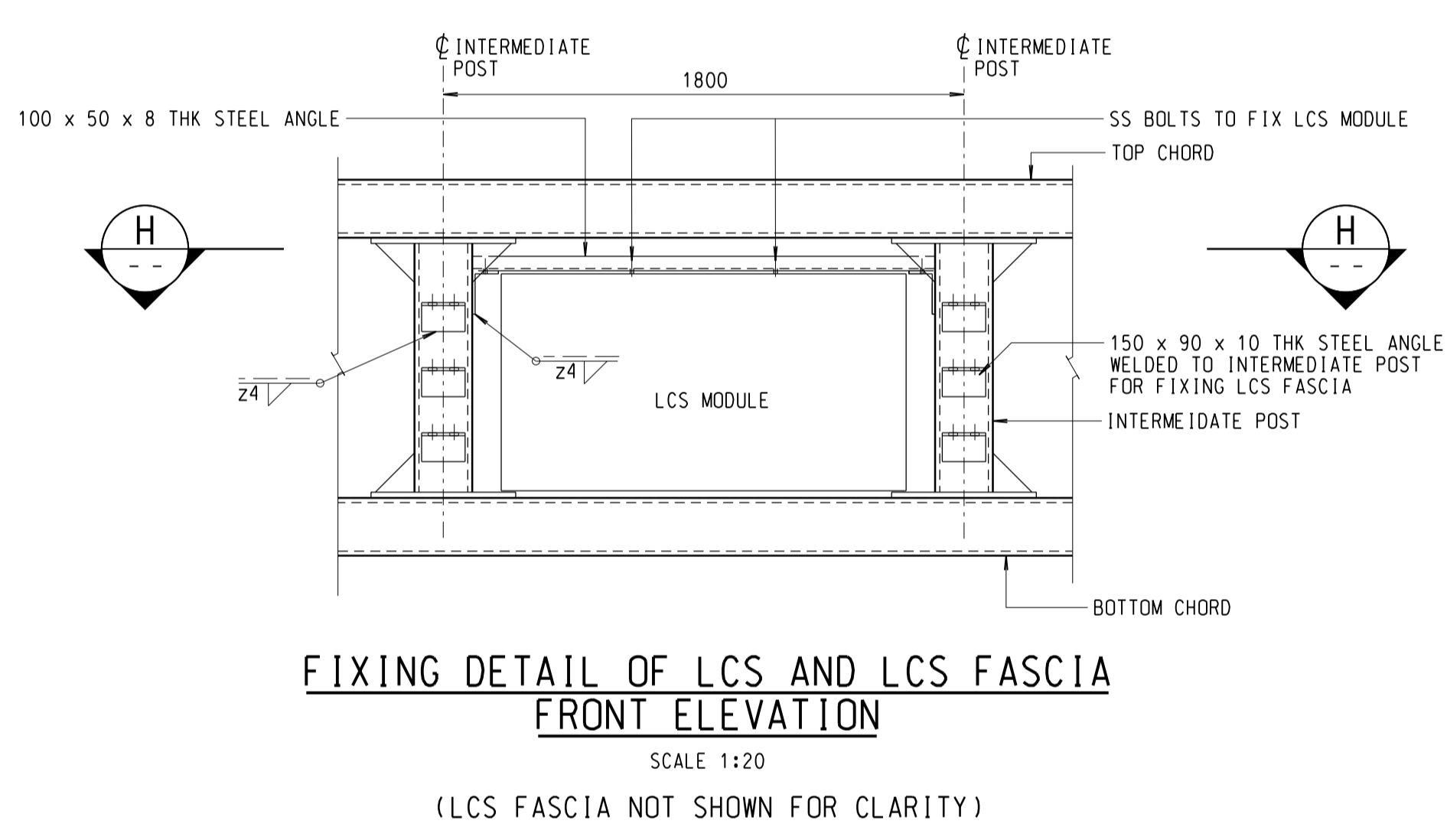
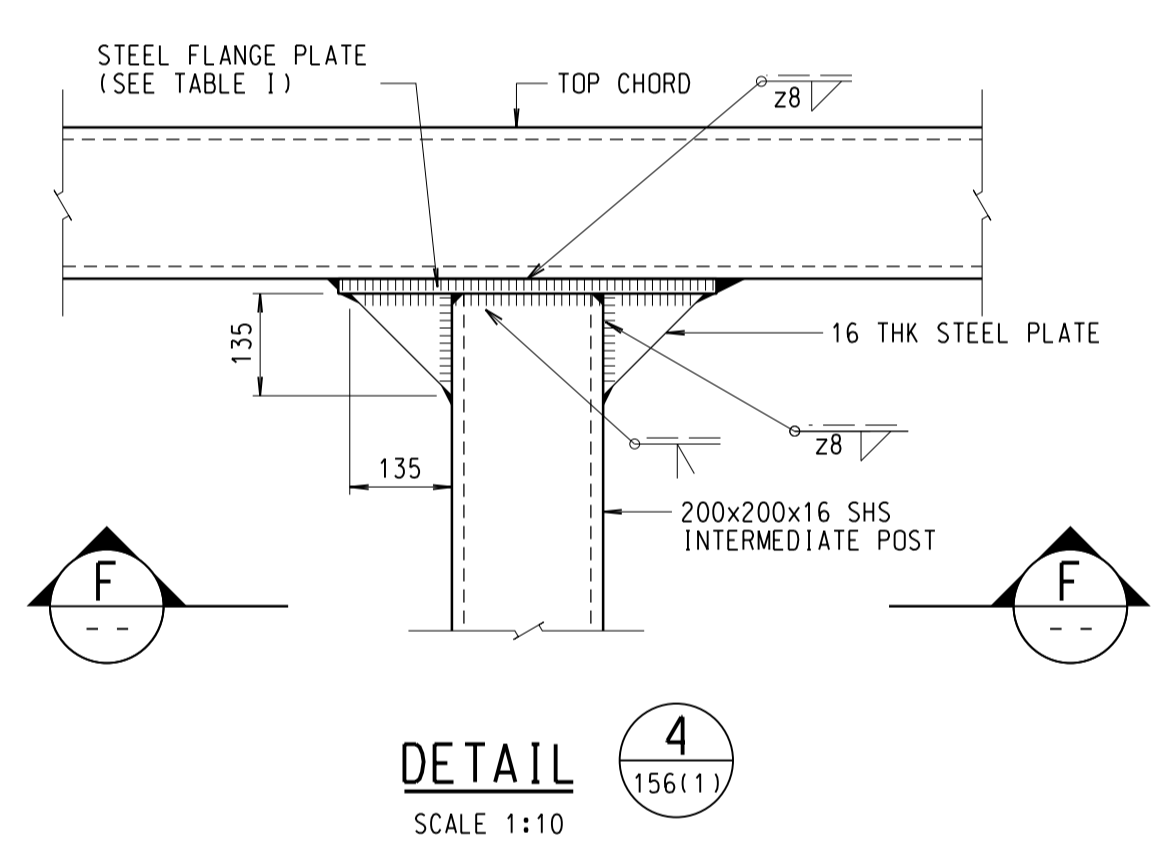
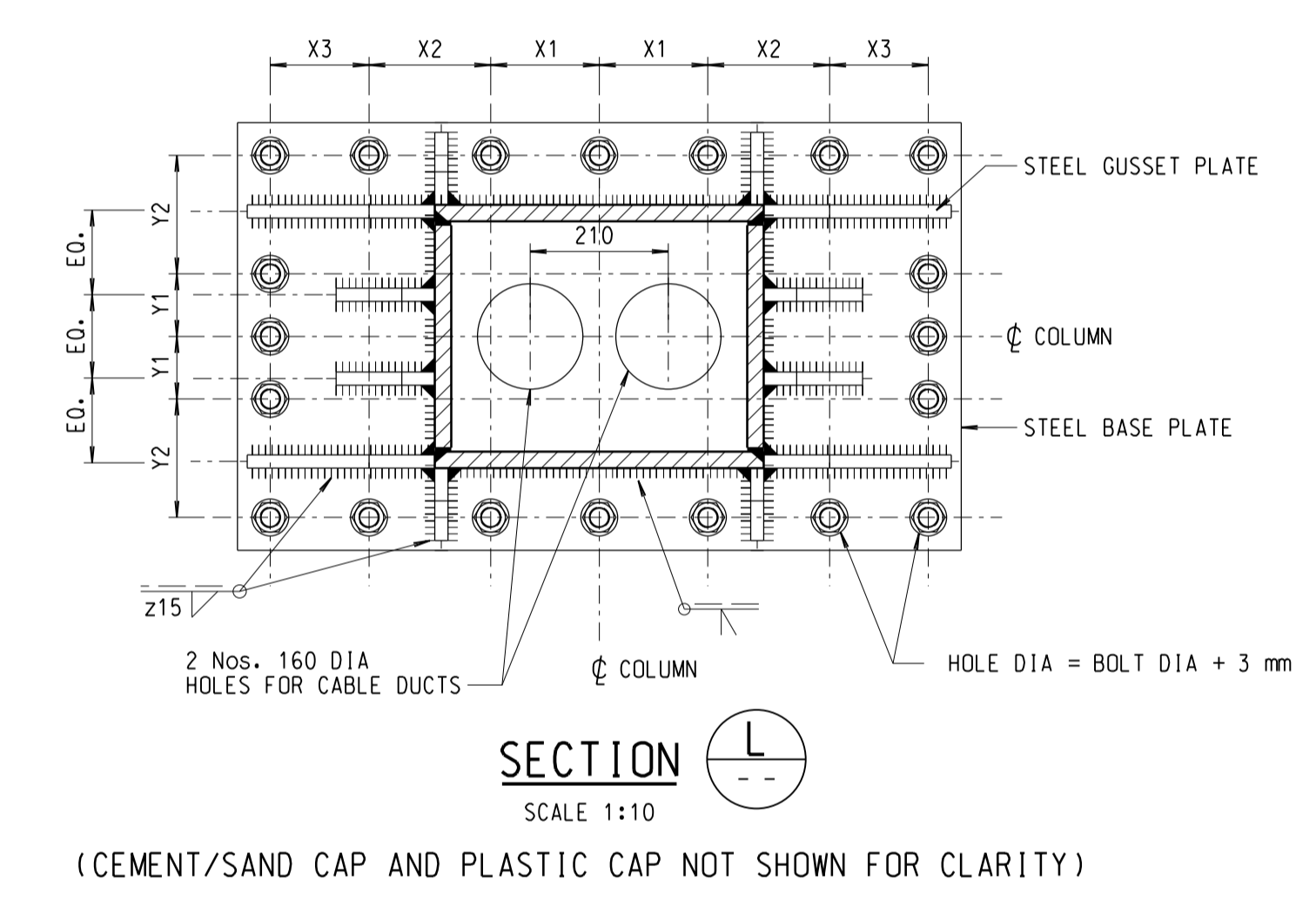
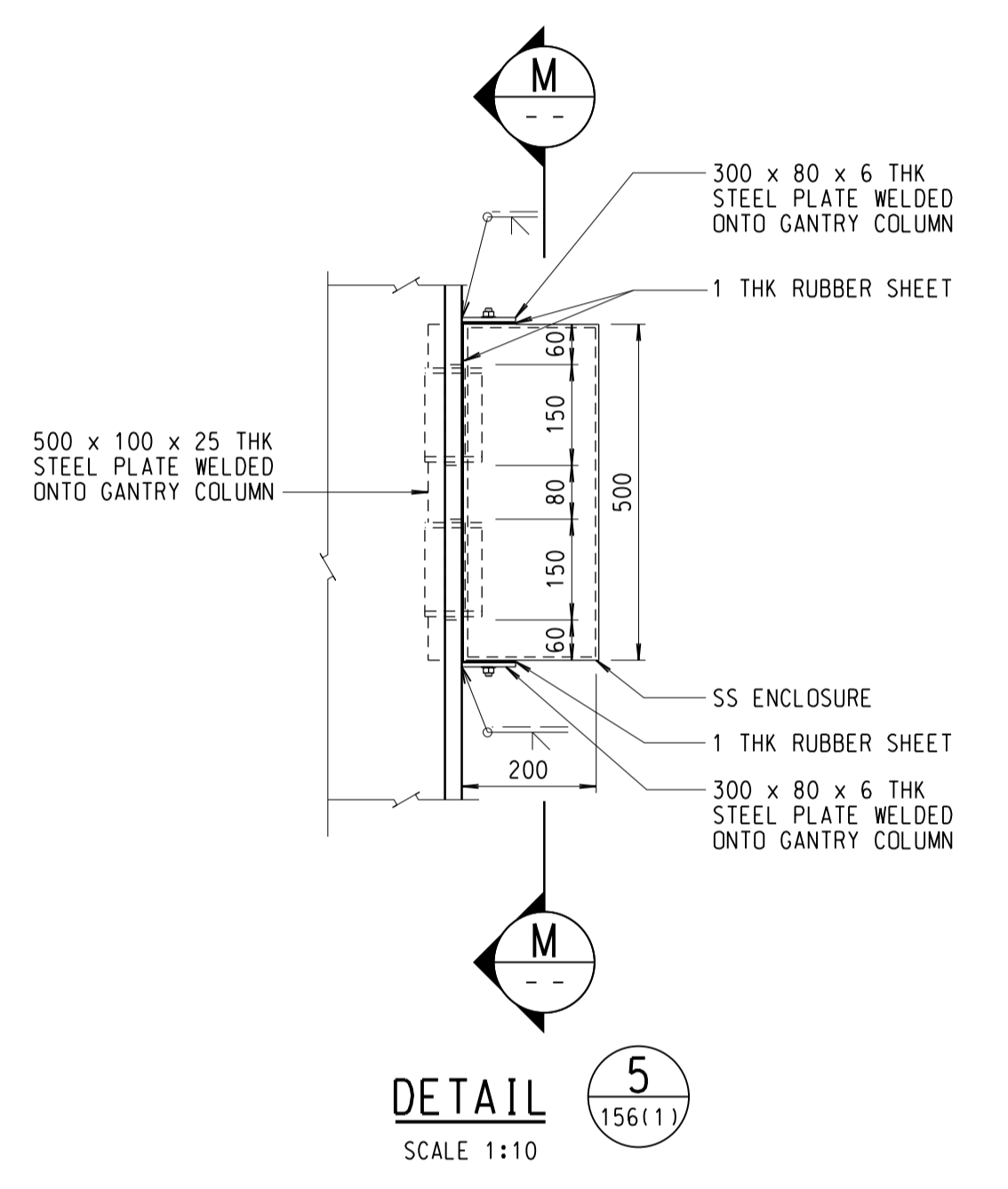
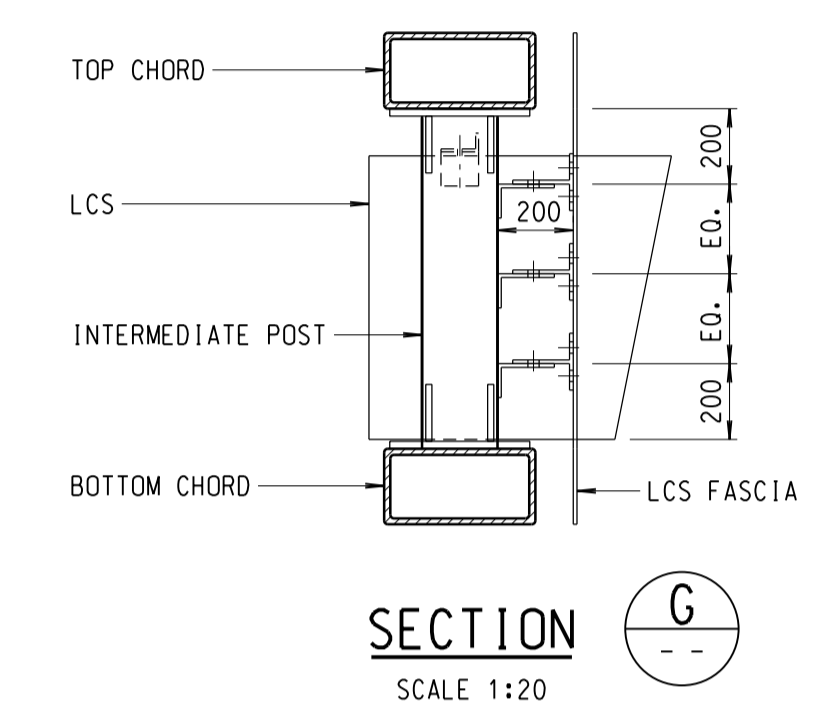
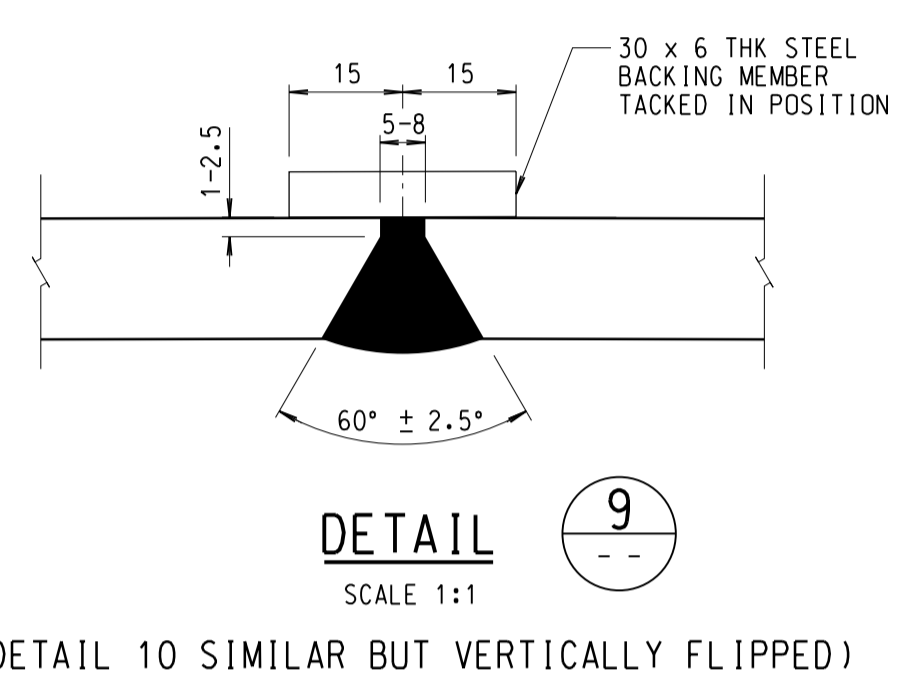
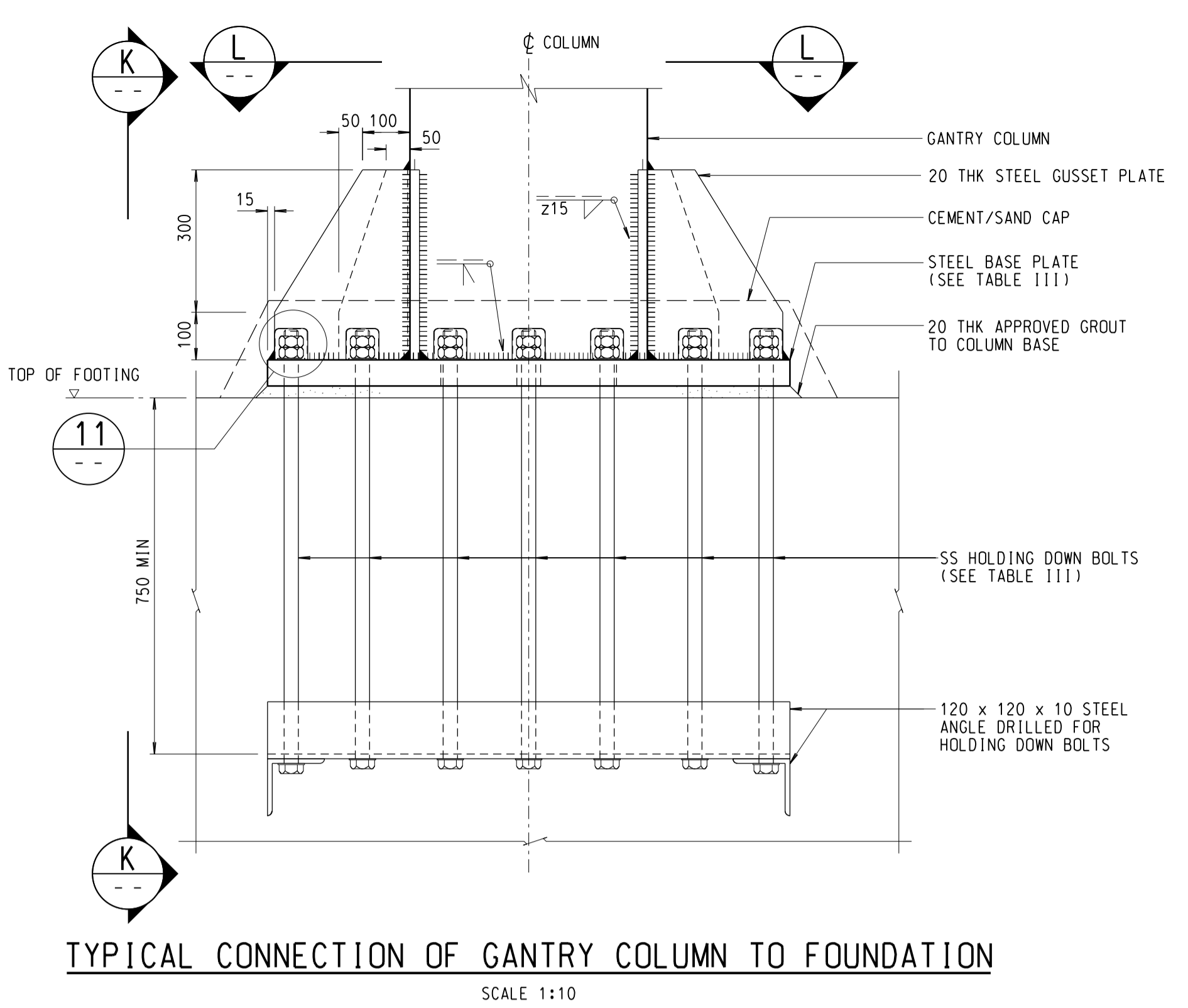
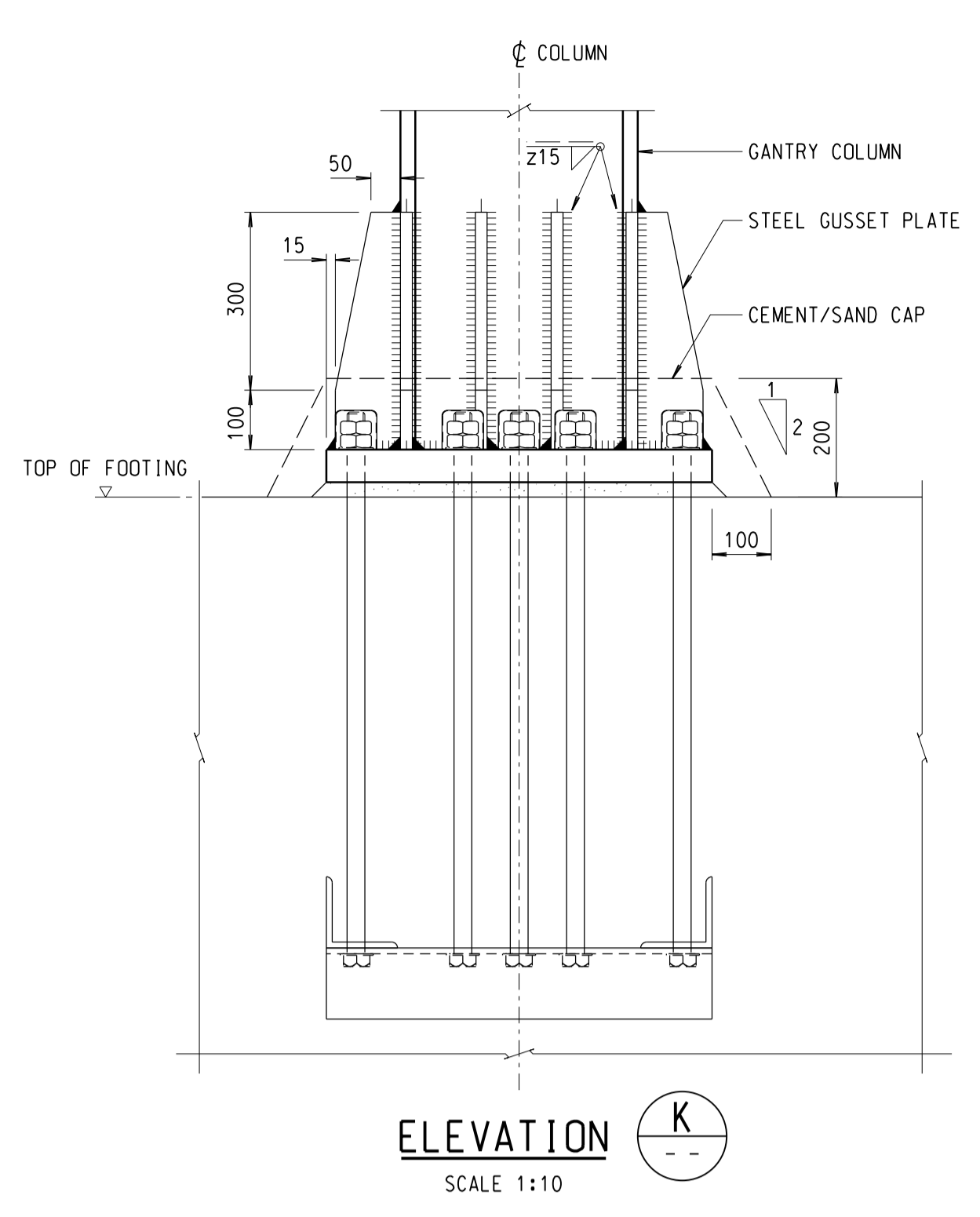
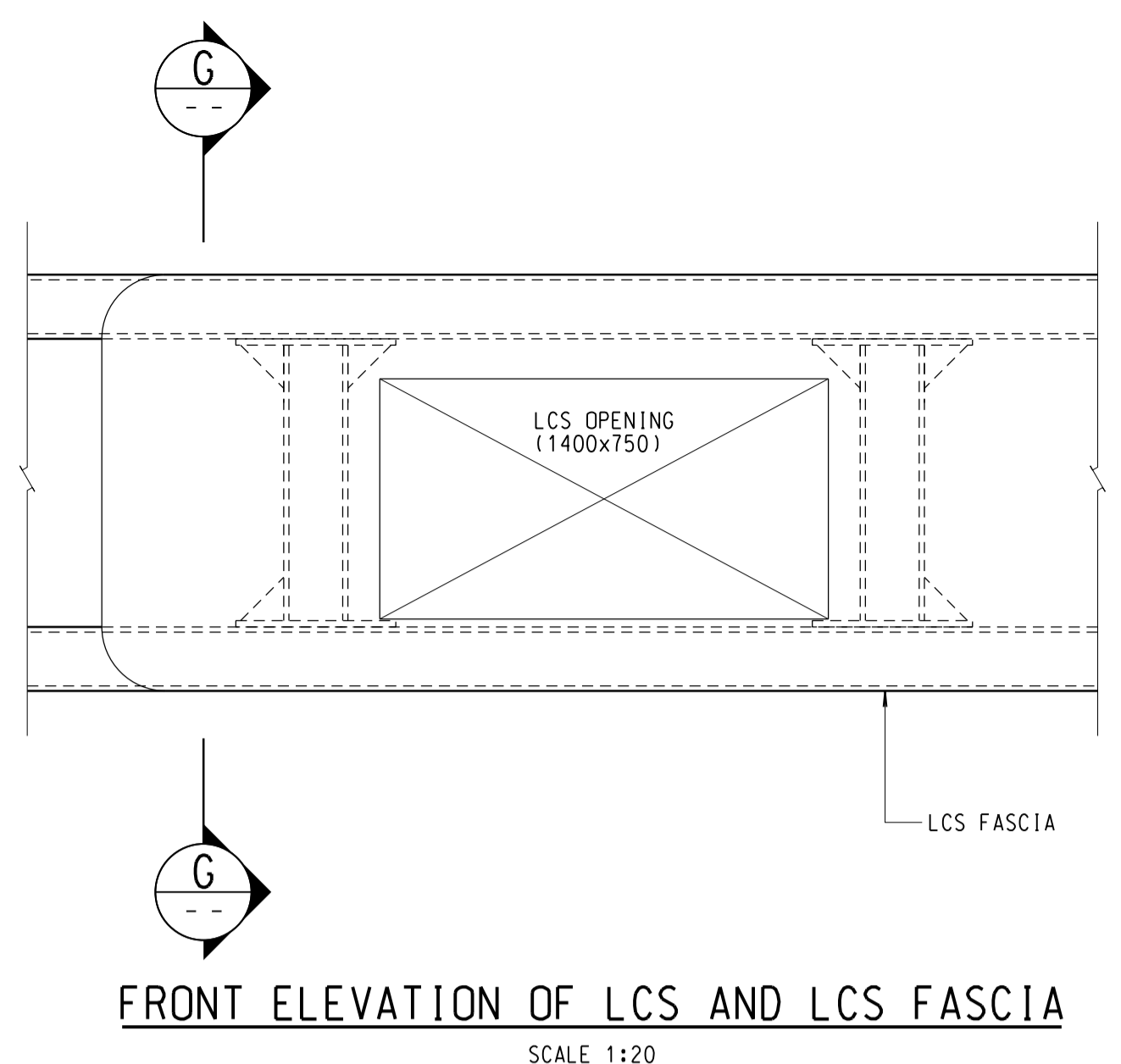
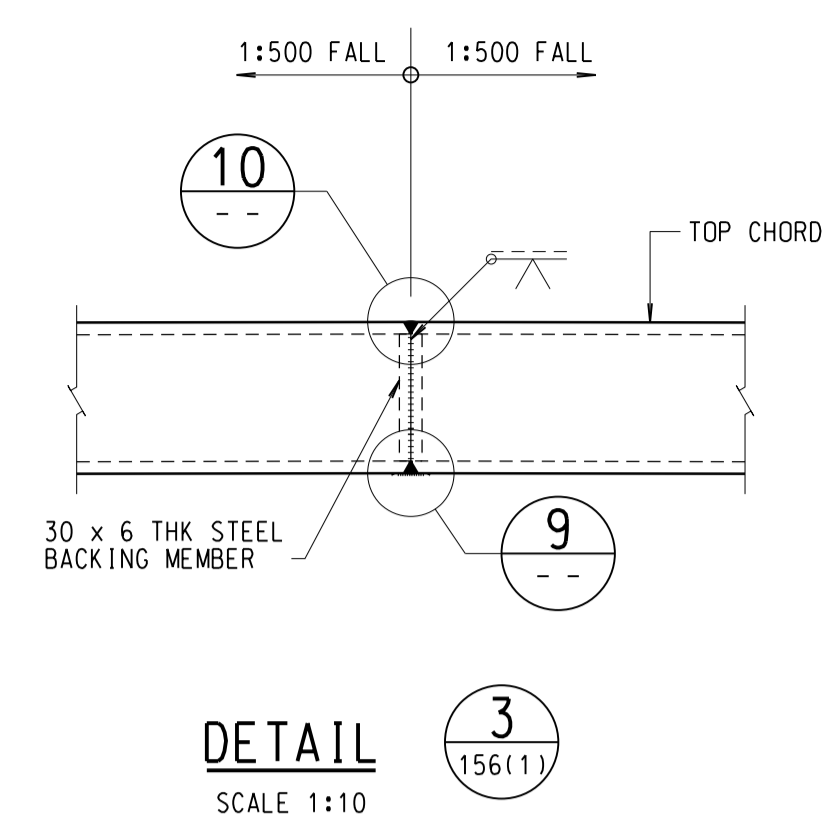


TABLE III - GANTRY COLUMN AND ANCHORAGE DETAILS

GANTRY SPAN (S) (mm)	COLUMN WIDTH		BASE PLATE (mm)	HOLDING DOWN BOLTS						
	W1 (mm)	W2 (mm)		SIZE	No.	X1 (mm)	X2 (mm)	X3 (mm)	Y1 (mm)	Y2 (mm)
S ≤ 13000	300	500	1100 x 550 x 50 THK	M30	20	165	185	150	80	145
13000 < S ≤ 17000	300	500	1100 x 550 x 50 THK	M30	20	165	185	150	80	145
17000 < S ≤ 22000	400	500	1100 x 650 x 55 THK	M30	20	165	185	150	95	180

no.	date	description	initial
A	11/16	COLUMN BASE CONNECTION DETAILS REVISED: INTERMEDIATE POST/CHORD CONNECTION DETAIL REVISED	SIGNED C.P. WONG, E/P2-3 SIGNED P.T. LEUNG, SE/P2

REVISION			
no.	name	signature	date
designed	K. S. LAM	SIGNED	04/11
drawn	W. K. WOO	SIGNED	04/11
senior technical officer	Y. W. CHIN	SIGNED	08/11
project engineer	K. S. LAM	SIGNED	08/11
senior engineer	P. T. LEUNG	SIGNED	08/11

approved: SIGNED P. K. LEE 05/08/2011
Chief Highway Engineer date

contract no. STR 5/40/18
file no. STR 5/40/18
project no.
contract

drawing title
TRAFFIC CONTROL AND SURVEILLANCE SYSTEM
SIGN GANTRY TYPE A
FOR LANE CONTROL SIGNAL (WITH OPTIONAL VARIABLE SPEED LIMIT SIGN)
(SHEET 2 OF 3)

drawing no. SSD156(2)-A scale AS SHOWN

office BRIDGES AND STRUCTURES DIVISION 結構橋樑部及

HIGHWAYS DEPARTMENT 路政署 香港

