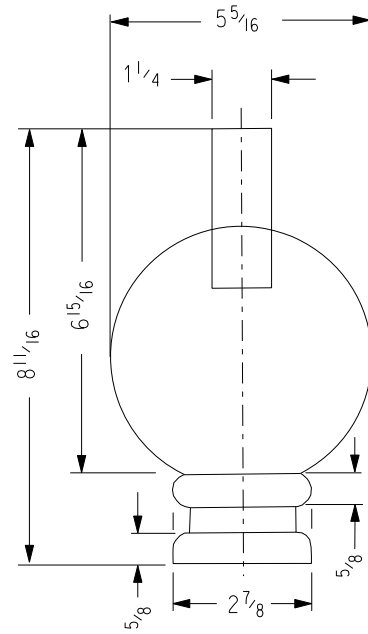
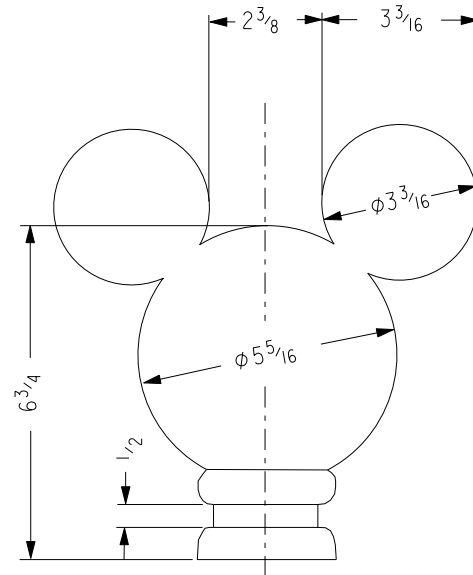


NOTES:

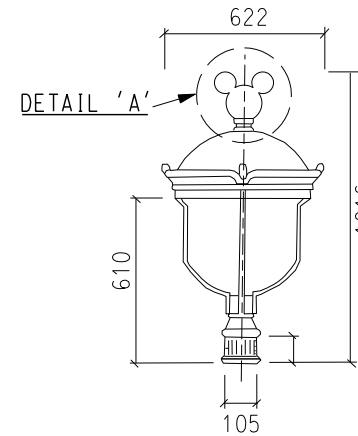
1. ALL PROPOSED LANTERNS, BRACKETS AND COLUMNS SHALL BE SUBMITTED FOR ENGINEER'S APPROVAL.
2. ALL DIMENSIONS ARE IN MILLIMETRES UNLESS OTHERWISE SPECIFIED.



SIDE VIEW

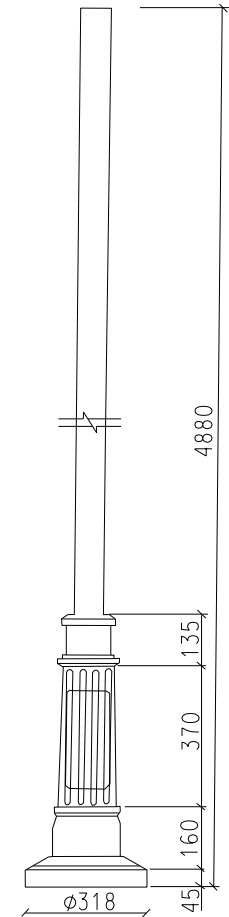


FRONT VIEW



DETAIL 'A' (ALL DIMENSIONS ARE IN INCHES)

TYPE A



COLUMN

REF.	REVISION	SIGNATURE	DATE
------	----------	-----------	------

HIGHWAYS DEPARTMENT
LIGHTING DIVISION

REFERENCE	DRAWING No.	CAD
-----------	-------------	-----

SCALE N. T. S.	HLSDML07-CL1024
-------------------	-----------------

DECORATIVE LIGHTING AND COLUMNS IN PENNY'S BAY
(SHEET 1 of 4)