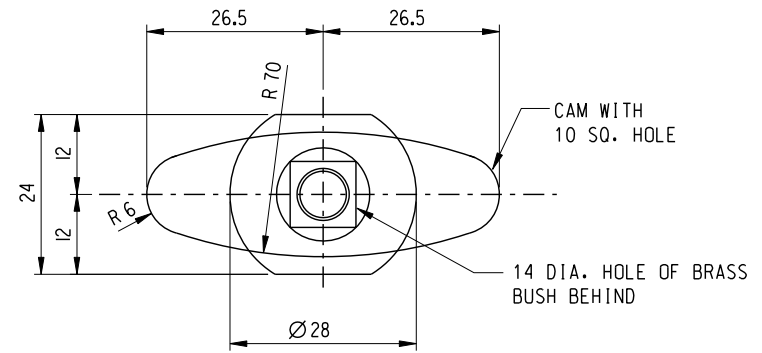


CAP NUT AND SPRING WASHER
 BRASS LOCKNUT
 ROUND WELDED
 CAM WITH 10 SQ. HOLE
 BACK PLATE
 3MM THK. HOT-DIP GALVANIZED MS PLATE DOOR

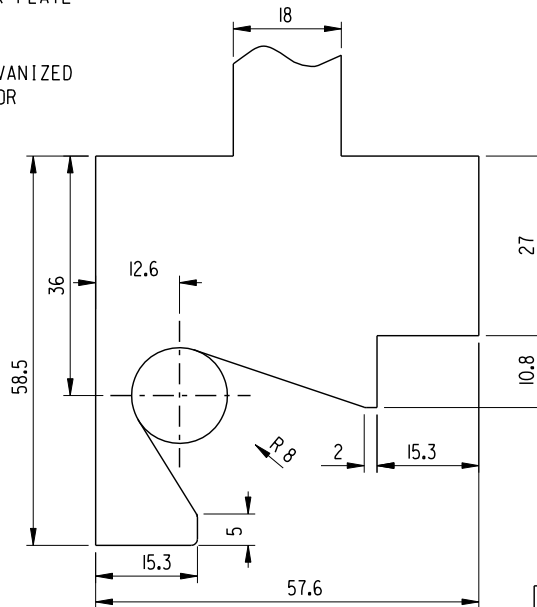
DETAIL T

NOTES:

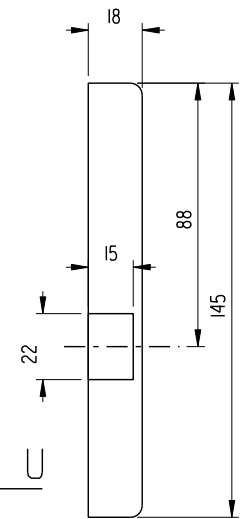
1. ALL DIMENSIONS ARE IN MILLIMETRES.
2. THIS DRAWING SHOULD READ IN CONJUNCTION WITH DRAWING NO. HLSDML06-CL1022.



VIEW V



DETAIL S



VIEW U

A	General revision		Aug 14
	Former Drg. No. HLSDGE01-CL0028C with general revision		Feb 06
REF.	REVISION	SIGNATURE	DATE

STANDARD GROUND MOUNTED CONTROL CUBICLE
 STAINLESS STEEL DOOR LOCK DEVICES
 (SHEET 2 OF 2)

HIGHWAYS DEPARTMENT
 LIGHTING DIVISION

REFERENCE	DRAWING No.	CAD
SCALE	HLSDML06-CL1023A	
N.T.S.		