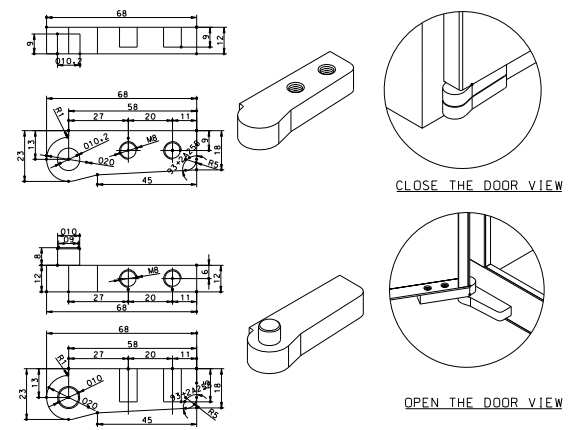
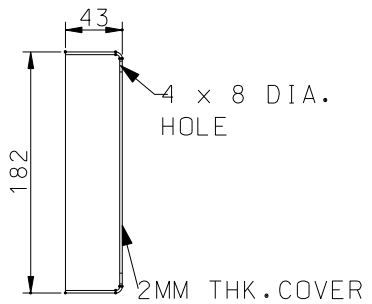


DETAIL P

EXPLODED ELEVATION



HINGE DETAILS

NOTE:

1. THE DOOR AND WINDOW COVER SHALL BE MADE FROM 2mm THK STAINLESS STEEL PLATE.

	Former Drg. No. HLSDGE01-CL0027C with general revision Stainless steel plate replaced		Feb 06
REF.	REVISION	SIGNATURE	DATE

STANDARD GROUND MOUNTED CONTROL CUBICLE
STAINLESS STEEL DOOR LOCK DEVICES
(SHEET 1 OF 2)

HIGHWAYS DEPARTMENT LIGHTING DIVISION		
REFERENCE	DRAWING No.	CAD
SCALE	HLSDML06-CL1022	
N.T.S.		