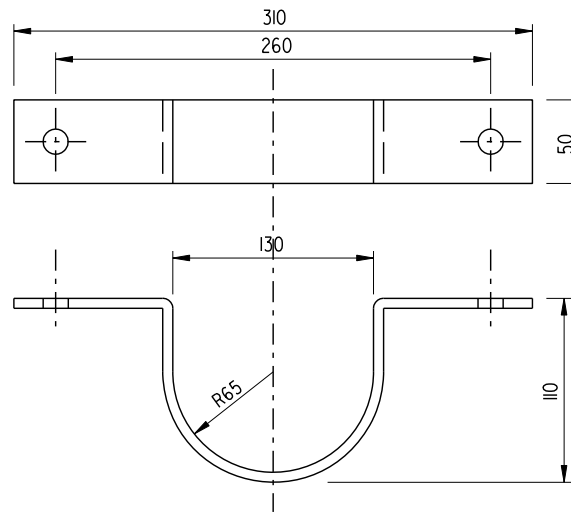
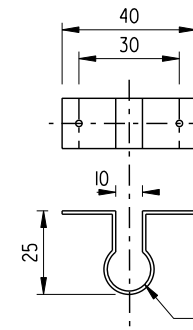


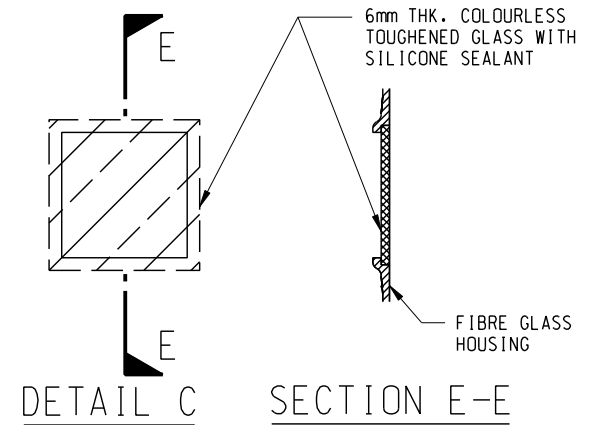
DETAIL B



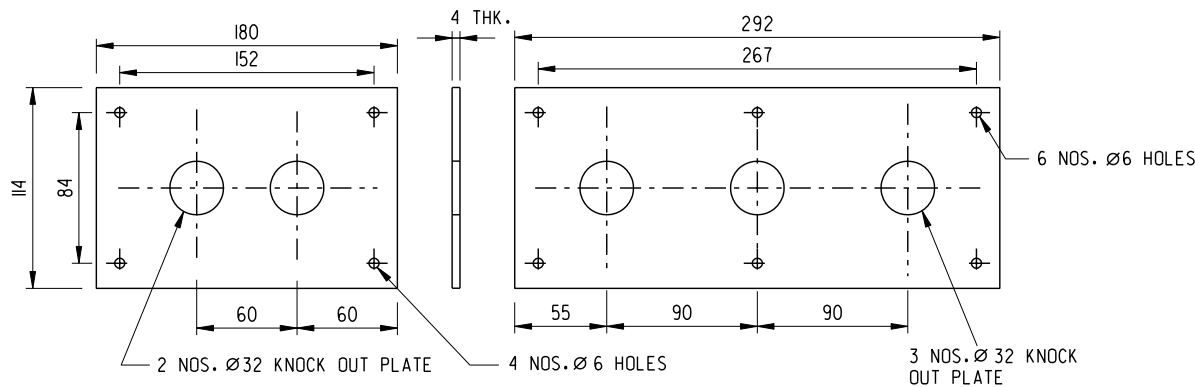
6mm THK. U BRACKET



DETAIL OF PHOTO CELL BRACKET



DETAIL C SECTION E-E



DETAIL OF ZINC PLATED BRASS CABLE GLAND PLATE

NOTES:

1. ALL DIMENSIONS ARE IN MILLIMETRES.
2. THIS DRAWING SHOULD READ IN CONJUNCTION WITH DRAWING NO. HLDSML06-CL1020.
3. ALL EXPOSED CABLES, EITHER INCOMING OR OUTGOING, SHALL BE ACCOMMODATED IN G.I. CABLE DUCTS TO THE SATISFACTION OF THE ENGINEER.

BOX PARTS SECTION DETAILS

PUBLIC LIGHTING FIBRE GLASS  
POLE-MOUNTED CONTROL CUBICLE  
(SHEET 2 OF 2)

B	General revision		Aug 14
A	General revision		Mar 07
	Former Drg. No. HLSDGE01-CL0024C with general revision		Feb 06
REF.	REVISION	SIGNATURE	DATE

HIGHWAYS DEPARTMENT  
LIGHTING DIVISION

REFERENCE	DRAWING No.	CAD
SCALE	HLSDML06-CL1021B	
N.T.S.		