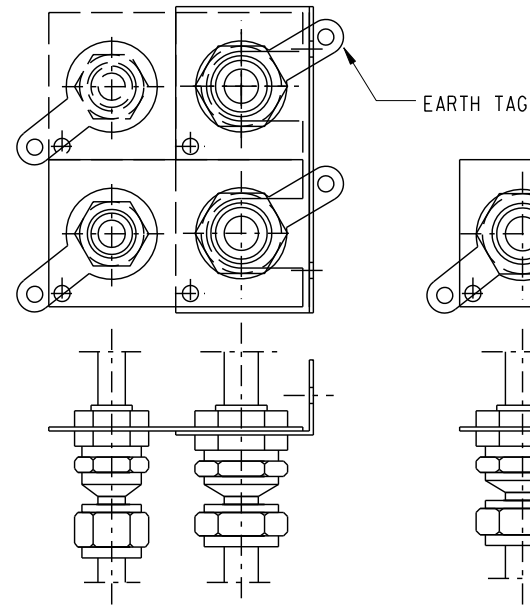
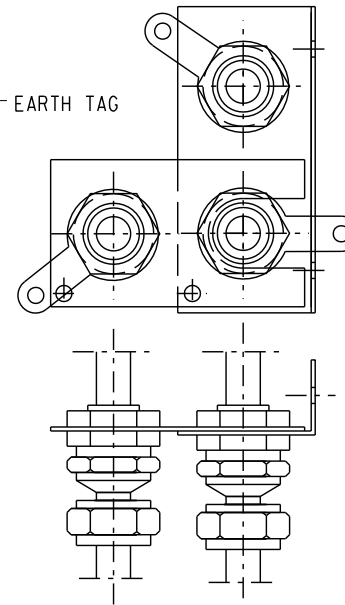


CABLE ARRANGEMENT
 2 NOS. 25mm² 4/C CABLE
 AND 1 NO 25mm² 2/C CABLE
 OR 1 NO 4mm² 2/C CABLE



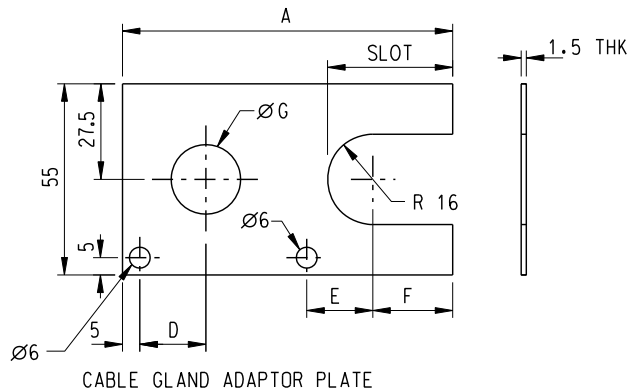
CABLE ARRANGEMENT
 2 NOS. 25mm² 4/C CABLE
 AND 1 OR 2 NOS 25mm² 2/C CABLE



CABLE ARRANGEMENT
 3 NOS. 25mm² 4/C CABLE

- NOTE:**
1. ALL DIMENSIONS ARE IN MILLIMETRES.
 2. CABLE GLAND ANCHOR PLATE AND CABLE GLAND ADAPTOR PLATE SHALL BE OF ZINC PLATED BRASS.
 3. THE TOOL USED AND THE WORKING PROCEDURE ADOPTED SHOULD BE AS RECOMMENDED BY THE CABLE MANUFACTURER.
 4. DETAILS AND MATERIAL OF EARTH TAGS SHALL BE APPROVED BY THE ENGINEER.

	COLUMN HEIGHT	
	≤ 5.1m	≥ 8m
A	95	115
B	20	27
C	35	15
D	19	23
E	19	35
F	23	28
		CABLE
G	32	25mm ² 4/C
	25	25mm ² 2/C
	20	4mm ² 2/C



CABLE GLAND ADAPTOR PLATE

B	Earth tag for earth bond connection is included		Mar 10
A	General revision		Mar 07
	Former Drg. No. LDSML01-CL0014A with general revision		Feb 06
REF.	REVISION	SIGNATURE	DATE

TYPICAL ARRANGEMENT OF CABLE TERMINATIONS FOR VARIOUS TYPES OF CABLES INSIDE A LIGHTING COLUMN

HIGHWAYS DEPARTMENT LIGHTING DIVISION

REFERENCE	DRAWING No.	CAD
SCALE	HLDSML06-CL1014B	
N.T.S.		