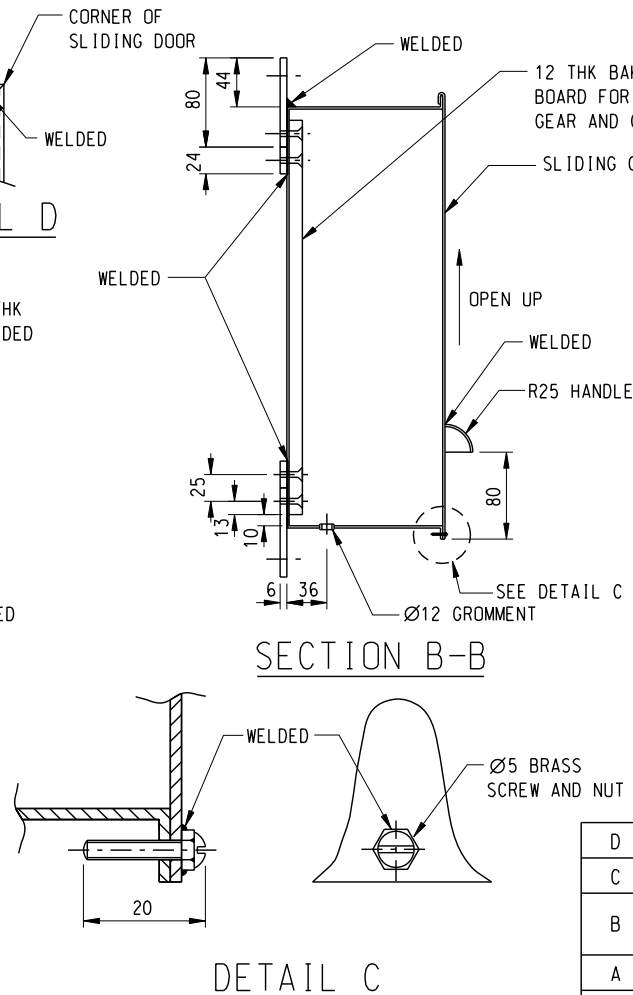
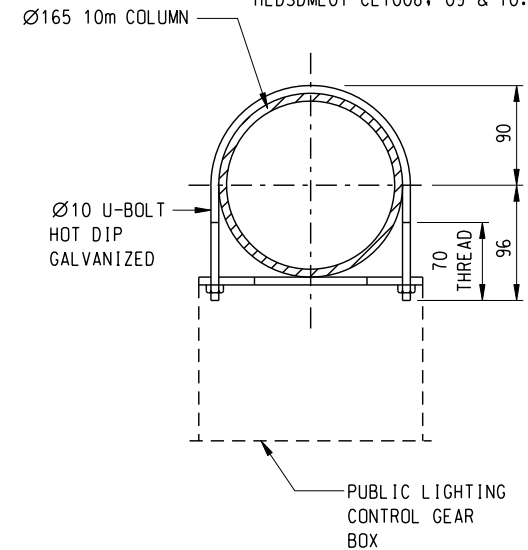


LOOP-IN BOX



NOTES:

1. ALL DIMENSIONS ARE IN MILLIMETRES.
2. ALL EXTERNAL SURFACES SHALL RECEIVE ONE UNDERCOAT OF RED BOOT.
3. BOX AND COVER SHALL BE MADE OF 16 SWG GALVANIZED SHEET STEEL.
4. THIS DRAWING SHOULD BE READ IN CONJUNCTION WITH DWG. NOS. HLSDML01-CL1008, 09 & 10.



REF.	REVISION	SIGNATURE	DATE
D	General revision		Aug 14
C	General revision of notes		May 07
B	General revision Bakelite insulation board used		Feb 06
A	General revision		Jun 02
	Former Drg. No. LSD2000-CL0031 with general revision		Dec 01

TYPICAL INSTALLATION OF WALL MOUNTED BRACKET FOR PUBLIC LIGHTING (SHEET 4 OF 4)

HIGHWAYS DEPARTMENT LIGHTING DIVISION

REFERENCE	DRAWING No.	CAD
SCALE N.T.S.	HLSDML01-CL1011D	