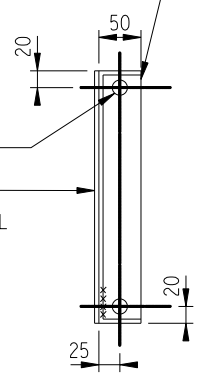


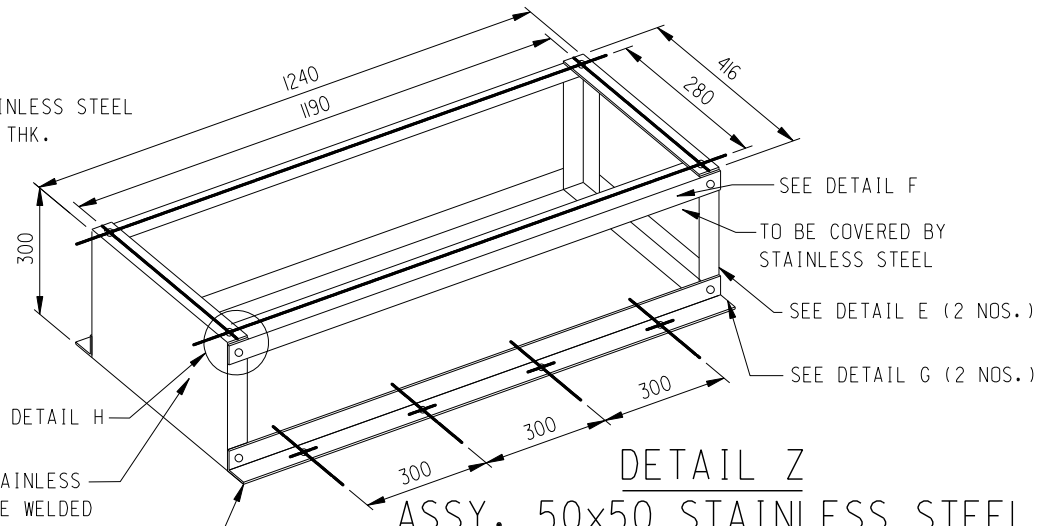
DETAIL E



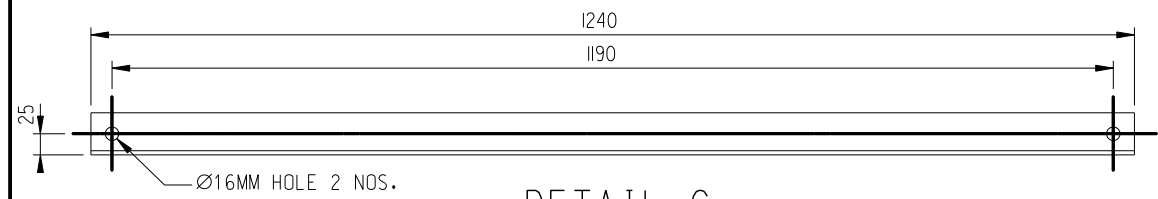
DETAIL G (2 NOS.)

50x50 STAINLESS STEEL ANGLE 5MM THK.

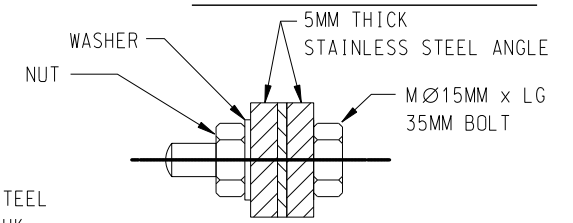
416x300 STAINLESS STEEL PLATE WELDED ON FRAME



DETAIL Z  
ASSY. 50x50 STAINLESS STEEL ANGLE RACK BASE



DETAIL G



DETAIL H

FIXING BOLTS & NUTS (8 CORNERS)



DETAIL F

50x50x5 THK. STAINLESS STEEL ANGLE

STAINLESS STEEL ANGLE RACK BASE

NOTE:  
1. FOR GENERAL NOTES REFER TO DRG. NO. HLSDML01-1001.

F	General revision		Aug 14
E	General revision		Feb 06
D	Details Revised		Jul 04
C	General revision of notes Former Drawing No. Revised		May 04
B	General revision of notes		Jul 02
A	General revision of notes		Jun 02
	Former Drg. No. LSD2000-CL0025 with general revision		Dec 01
REF.	REVISION	SIGNATURE	DATE

STANDARD GROUND MOUNTED  
PUBLIC LIGHTING CONTROL CUBICLE  
(SHEET 5 OF 7)

HIGHWAYS DEPARTMENT  
LIGHTING DIVISION

REFERENCE	DRAWING No.	CAD
SCALE	HLSDML01-CL1005F	
N.T.S.		