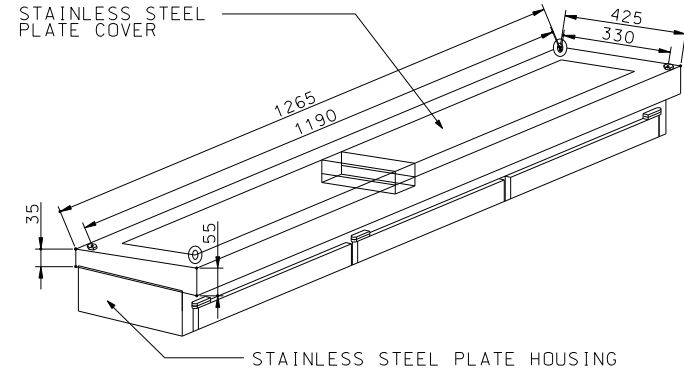
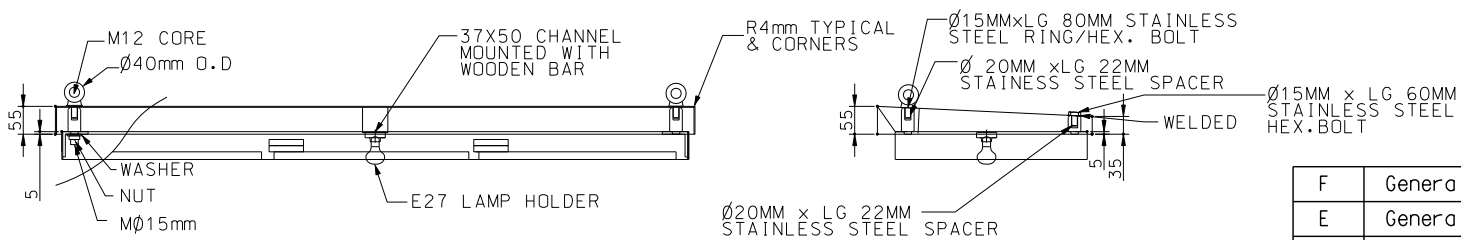


PLAN



STAINLESS STEEL PLATE COVER



SECTION Q-Q

SECTION R-R

STAINLESS STEEL PLATE COVER

NOTES:

1. FOR GENERAL NOTES REFER TO DRG. NO. HLDSDML01-CL1001.
2. ALL PARTS AND PLATES ARE NOT REMOVABLE FROM OUTSIDE AFTER ASSEMBLY.

F	General revision		Aug 14
E	General revision		Feb 06
D	Details revised		Jul 04
C	General revision Former Drawing No. Revised		May 04
B	General revision		Jul 02
A	General revision		Jun 02
	Former Drg. No. LDS2000-CL0024 with general revision		Dec 01
REF.	REVISION	SIGNATURE	DATE

STANDARD GROUND MOUNTED  
PUBLIC LIGHTING CONTROL CUBICLE  
(SHEET 4 OF 7)

HIGHWAYS DEPARTMENT  
LIGHTING DIVISION

REFERENCE	DRAWING No.	CAD
SCALE	HLDSDML01-CL1004F	
N.T.S.		