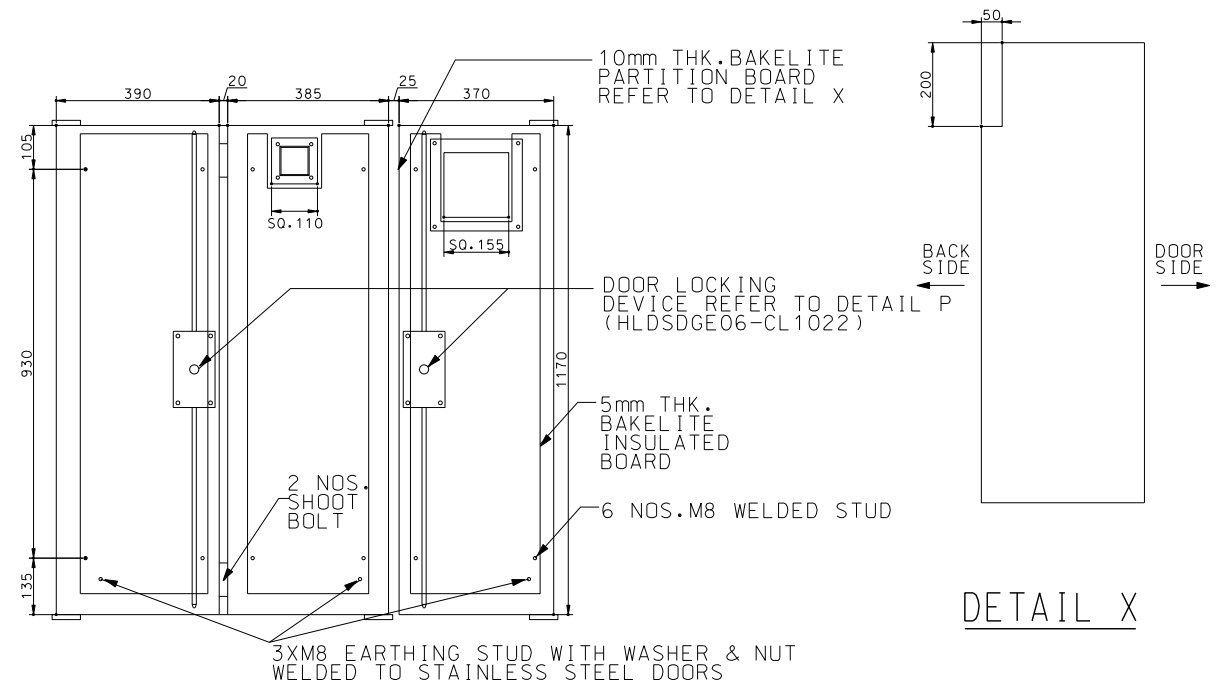
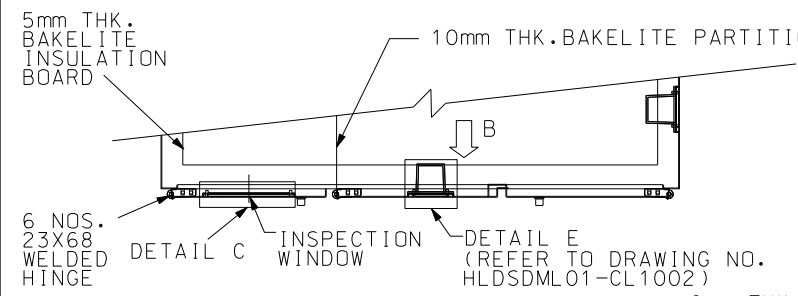


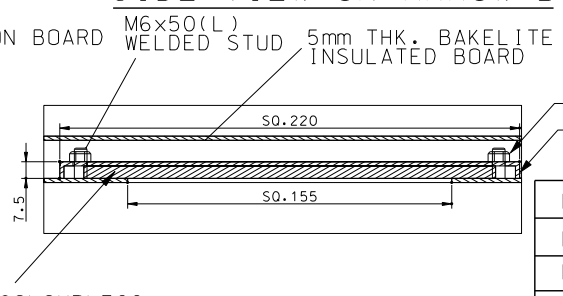
6 NOS. 25x68 HINGE REFER TO HLSDGE06-CL1022  
**FRONT VIEW**



**SIDE VIEW ON ARROW B**



**SECTION PLAN A-A**



**DETAIL C**

**STAINLESS STEEL DOOR**

NOTES:  
1. FOR GENERAL NOTES REFER TO DRG. NO. HLSDML01-CL1001.

REF.	REVISION	SIGNATURE	DATE
F	General revision		Aug 14
E	General revision		Feb 06
D	Details revised		Jul 04
C	General revision Former Drawing No. Revised		May 04
B	General revision		Jul 02
A	General revision		Jun 02
	Former Drg. No. LSD2000-CL0023 with general revision		Dec 01

**STANDARD GROUND MOUNTED PUBLIC LIGHTING CONTROL CUBICLE (SHEET 3 OF 7)**

**HIGHWAYS DEPARTMENT LIGHTING DIVISION**

REFERENCE	DRAWING No.	CAD
SCALE	HLSDML01-CL1003F	
N.T.S.		