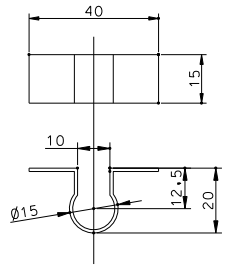
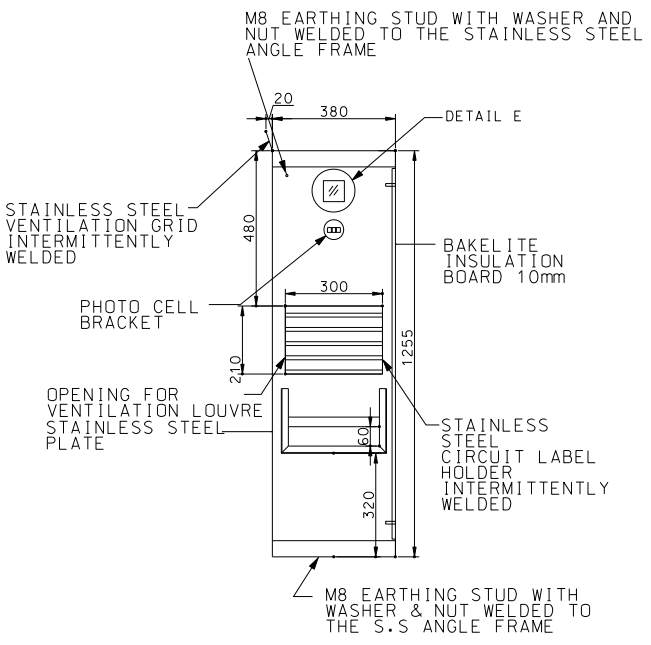


TOP VIEW

M8 EARTHING STUD WITH WASHER & NUT WELDED TO THE S.S ANGLE FRAME



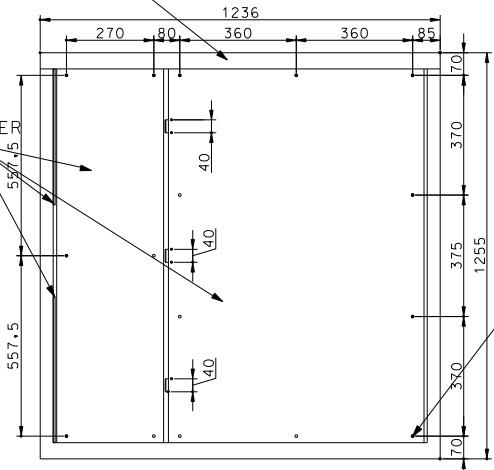
DETAIL OF PHOTO CELL BRACKET



SIDE VIEW ON ARROW A

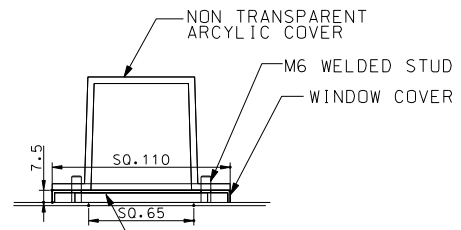
STAINLESS STEEL VENTILATION GRID INTERMITTENTLY WELDED

STAINLESS STEEL CIRCUIT LABEL HOLDER INTERMITTENTLY WELDED



FRONT VIEW

M8 EARTHING STUD WITH WASHER & NUT WELDED TO THE S.S ANGLE FRAME

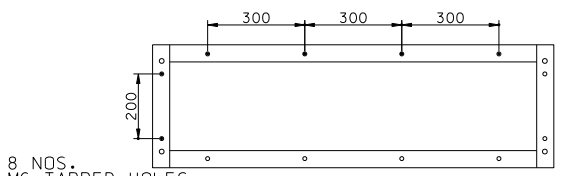


DETAIL E

NON TRANSPARENT ACRYLIC COVER
M6 WELDED STUD
WINDOW COVER

NOTES:
1. FOR GENERAL NOTES REFER TO DRG. NO. HLSDML01-CL1001.

STEEL PLATE



BOTTOM VIEW

4xM8 EARTHING STUD WITH WASHER & NUT WELDED TO THE STAINLESS STEEL ANGLE FRAME

6mm THK. COLOURLESS TRANSPARENT GLASS WITH SILICONE SEALANT

STAINLESS STEEL HOUSING

REF.	REVISION	SIGNATURE	DATE
G	General revision.		Aug 14
F	Minor revision on Note 1		Mar 10
E	Details of circuit label holder deleted		Feb 06
D	Details Revised.		Jul 04
C	General revision of notes. Former Drawing No. Revised.		May 04
B	General revision of notes.		Jul 02
A	General revision of notes.		Jun 02
	Former Drg. No. LSD2000-CL0022 with general revision		Dec 01

STANDARD GROUND MOUNTED
PUBLIC LIGHTING CONTROL CUBICLE
(SHEET 2 OF 7)

HIGHWAYS DEPARTMENT LIGHTING DIVISION		
REFERENCE	DRAWING No.	CAD
SCALE N.T.S.	HLSDML01-CL1002G	