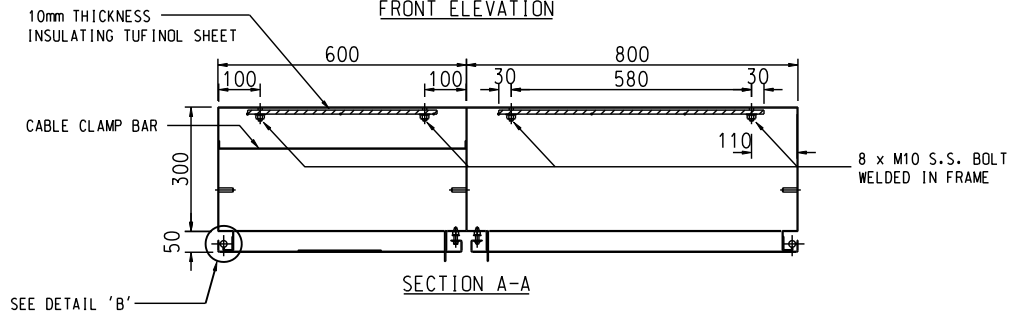


SIDE ELEVATION

FRONT ELEVATION

SIDE ELEVATION



SECTION A-A

NOTES:
1. ALL DIMENSION IN mm

A	GENERAL REVISION		AUG 14
REF.	REVISION	SIGNATURE	DATE
HIGHWAYS DEPARTMENT LIGHTING DIVISION			
REFERENCE	DRAWING No.		CAD
SCALE	N.T.S.		HLSDSHK09-CL2025A

RETROFITTING OF THE EXISTING PUBLIC LIGHTING CONTROL CUBICLE FOR VENTILATION MEASURES