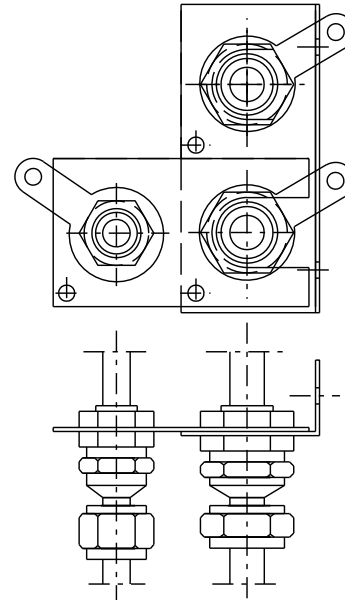
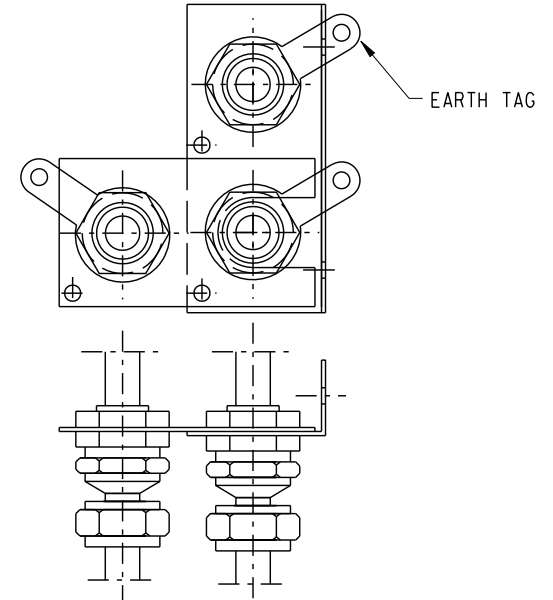


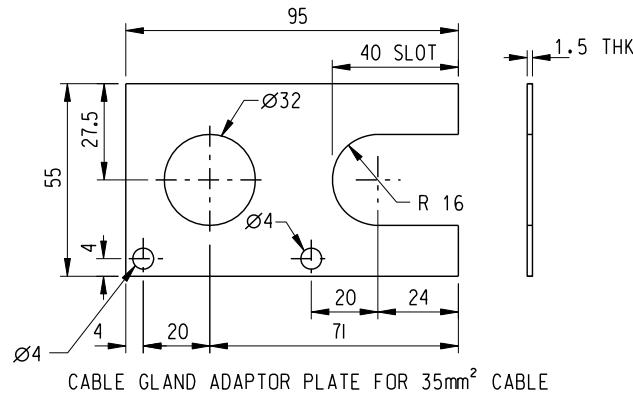
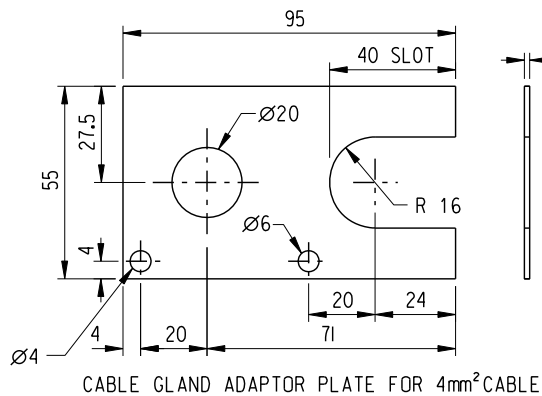
CABLE ARRANGEMENT
2 NOS. 35mm² 2/C CABLE



CABLE ARRANGEMENT
2 NOS. 35mm² 2/C CABLE
AND 1 NO. 4mm² 2/C CABLE



CABLE ARRANGEMENT
3 NOS. 35mm² 2/C CABLE



NOTE:

1. ALL DIMENSIONS ARE IN MILLIMETRES.
2. CABLE GLAND ANCHOR PLATE AND CABLE GLAND ADAPTOR PLATE SHELL BE OF ZINC PLATED BRASS

B	General Revision		May 11
A	General Revision		Apr 09
	Ref. Drg. No. LDSMLO1-CL0014A with general revision		May 05
REF.	REVISION	SIGNATURE	DATE

TYPICAL ARRANGEMENT OF CABLE TERMINATIONS FOR VARIOUS TYPE OF CABLES INSIDE A LIGHTING COLUMN

HIGHWAYS DEPARTMENT LIGHTING DIVISION

REFERENCE	DRAWING No.	CAD
SCALE	HLSDHK05-CL2024B	
N.T.S.		