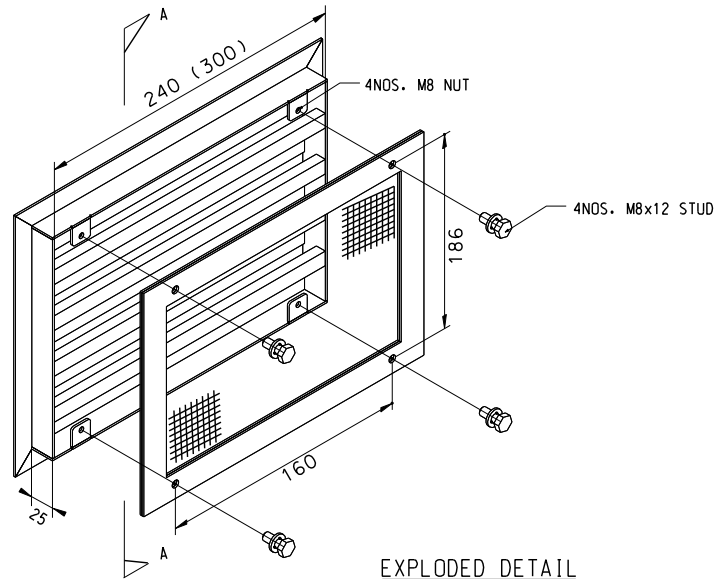
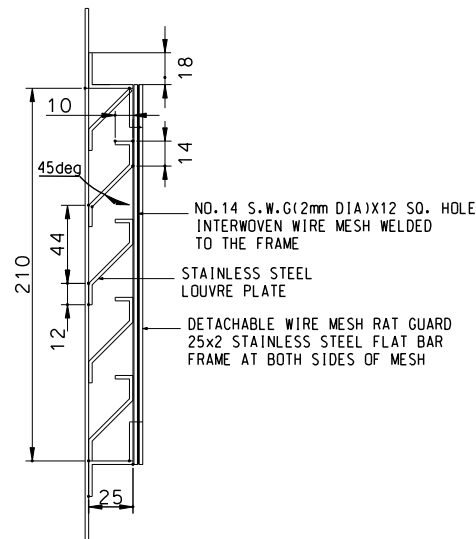


NOTE:

1. ALL DIMENSION IN MM
2. FIGURES IN BRACKETS ARE FOR RETROFITTING EXISTING PUBLIC LIGHTING CONTROL CUBICLE
DRAWING NO. HLSDDHK09-CL2025

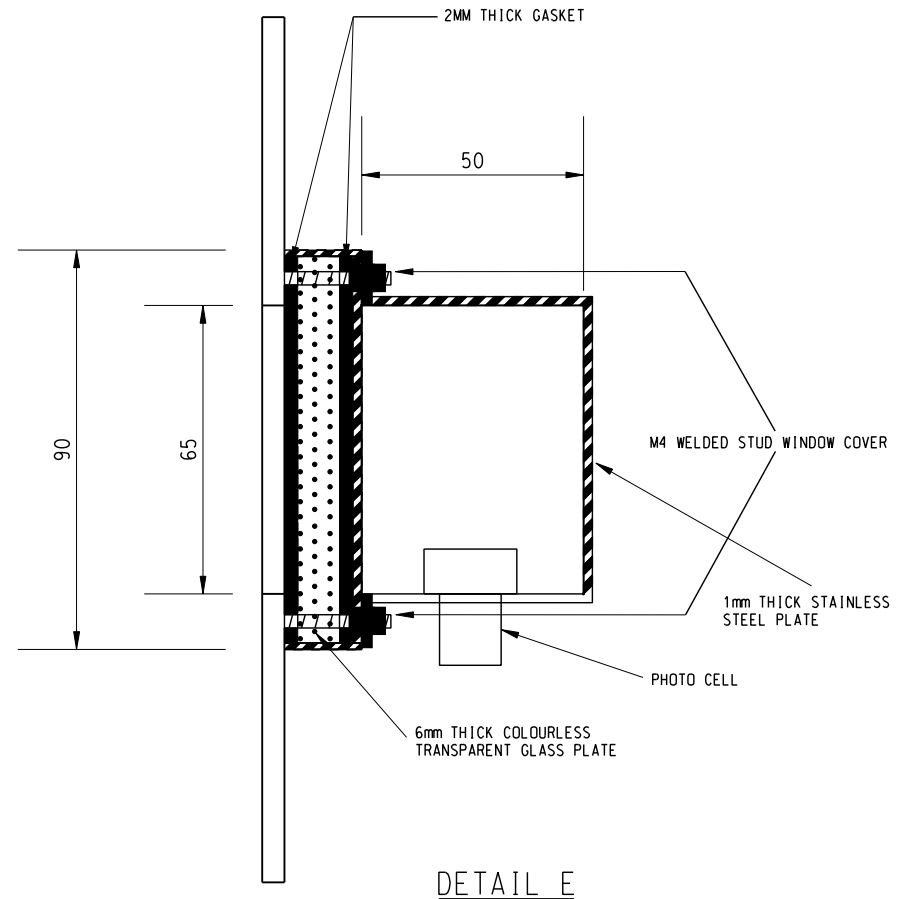


EXPLODED DETAIL OF VENTILATION LOUVRE



SECTION A-A

VENTILATION LOUVRE



DETAIL E

A	VENTILATION LOUVER ADDED		MAY 09
REF.	REVISION	SIGNATURE	DATE

HIGHWAYS DEPARTMENT
LIGHTING DIVISION

REFERENCE	DRAWING No.	CAD
SCALE N.T.S.	HLSDDHK05-CL2018A	

PUBLIC LIGHTING CONTROL CUBICLE
(SHEET 4 OF 4)