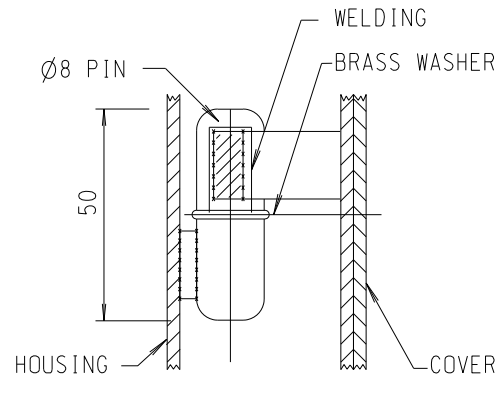
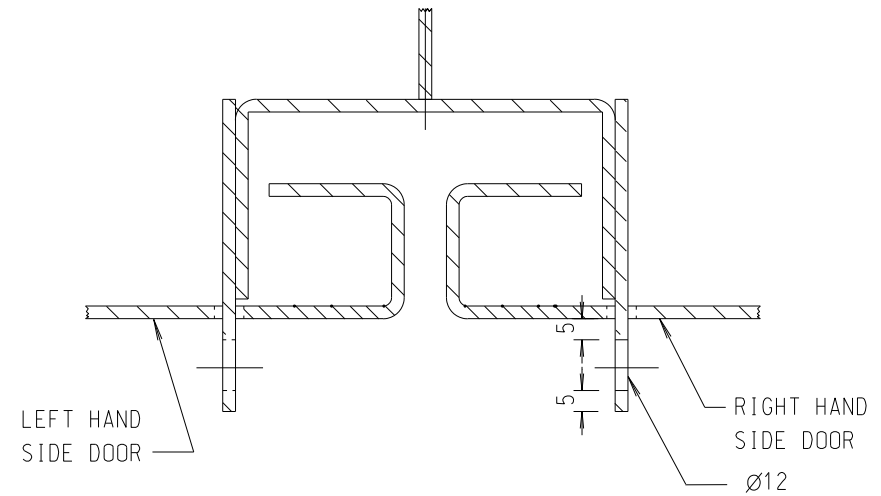


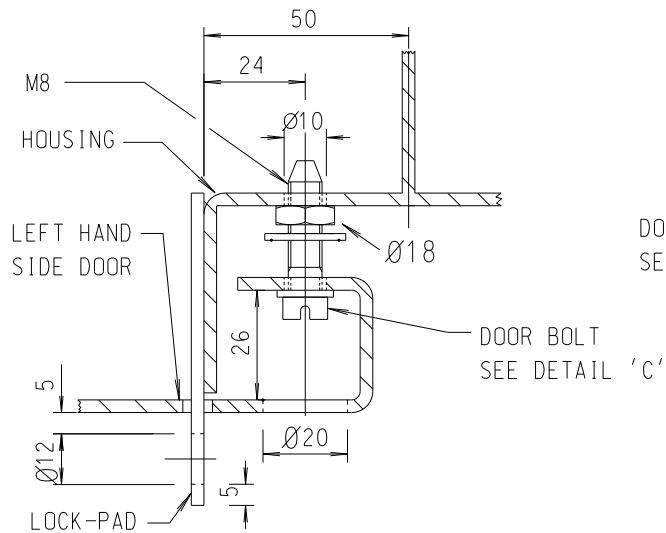
DETAIL 'B'
SECTIONAL PLAN



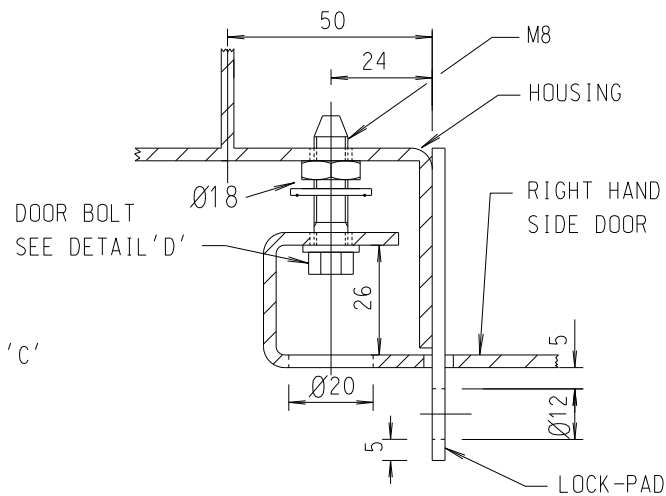
SECTION B-B



SECTION E-E



SECTION C-C



SECTION D-D

	Former Drg. No. LDSDHK01-CL2010A with general revision		Jul 05
REF.	REVISION	SIGNATURE	DATE

PUBLIC LIGHTING CONTROL CUBICLE
(SHEET 2 OF 4)

HIGHWAYS DEPARTMENT
LIGHTING DIVISION

REFERENCE	DRAWING No.	CAD
SCALE	HLDSDHK05-CL2016	
N.T.S.		