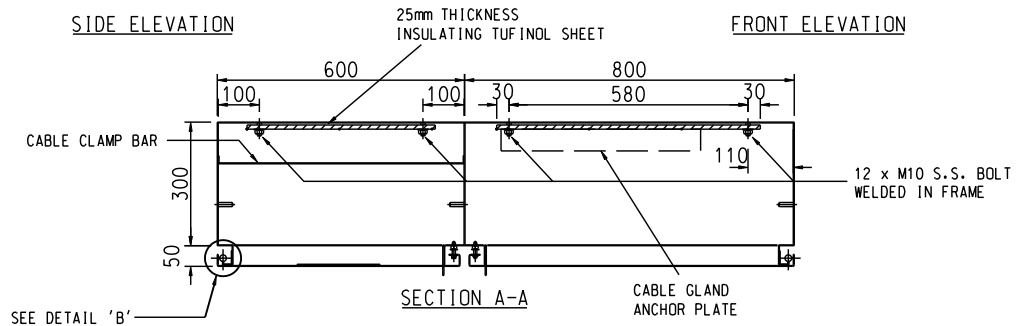


SIDE ELEVATION

FRONT ELEVATION

SIDE ELEVATION



NOTES:
1. ALL DIMENSION IN MM

B	GENERAL REVISION		AUG 14
A	SIZE REVISED. VENTILATION LOUVER AND CABLE GLAND ANCHOR PLATE ADDED		NOV 08
REF.	REVISION	SIGNATURE	DATE

PUBLIC LIGHTING CONTROL CUBICLE
(SHEET 1 OF 4)

HIGHWAYS DEPARTMENT LIGHTING DIVISION		
REFERENCE	DRAWING No.	CAD
SCALE	HLSDHK05-CL2015B	
N.T.S.		