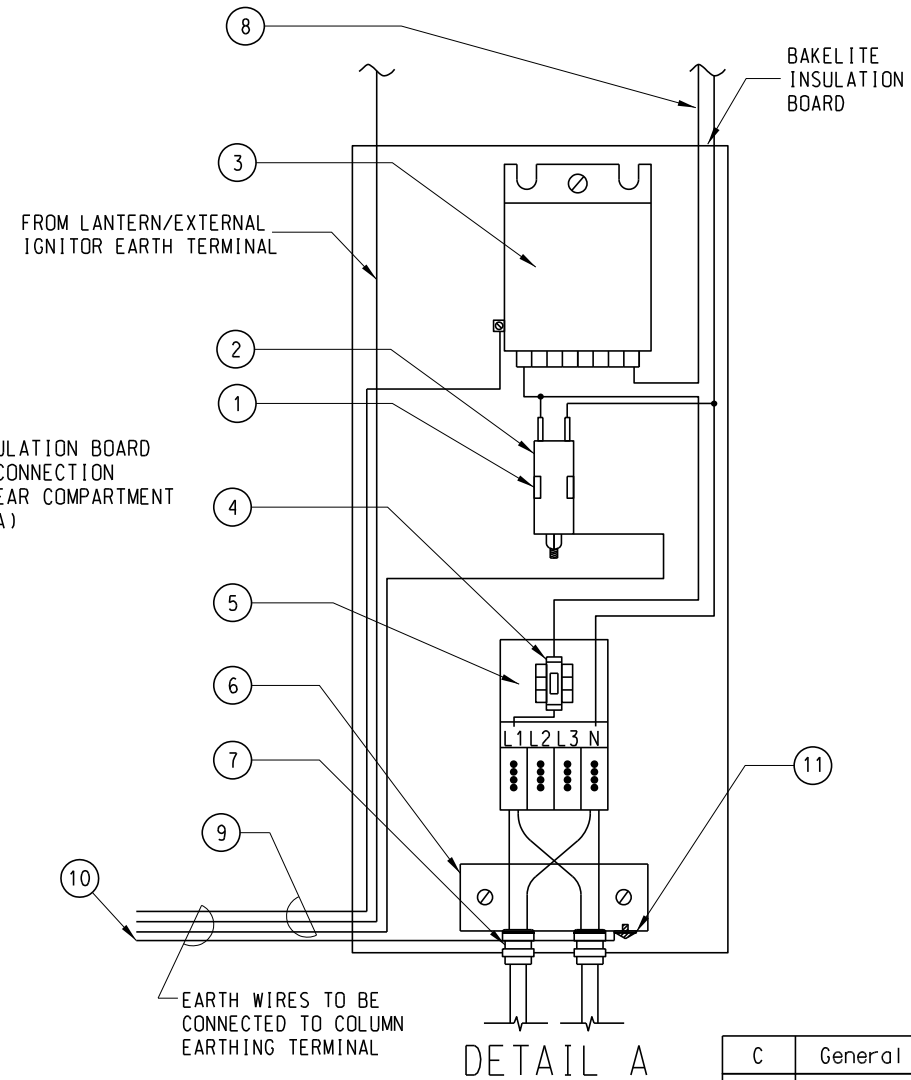


ELEVATION



DETAIL A

NOTES:

1. ALL DIMENSIONS ARE IN MILLIMETRES.
2. ALL LOOSE WIRES SHOULD BE BOUND NEATLY BY CABLE TIES.
3. EARTH WIRE TO BE SEPARATELY RUN & CONNECTED TO THE COLUMN EARTHING TERMINAL.

ITEM NO.	DESCRIPTION
1.	OMEGA (SPRING) CLIP
2.	CAPACITOR
3.	BALLAST
4.	MCB
5.	STREET LIGHTING CUT-OUT BOX
6.	ZINC PLATED BRASS CABLE GLAND ANCHOR PLATE
7.	35mm ² POST SEAL CABLE GLAND C/W LOCK NUT
8.	2.5mm ² 2/C XLPE/PVC Cu CABLE
9.	2.5mm ² 1/C EARTH Cu CABLE
10.	16mm ² 1/C EARTH Cu CABLE
11.	CRIMPING LUG

C	General revision		Jun 21
B	General revision		May 09
A	General revision Former Drawing No. Revised		May 05
REF.	REVISION	SIGNATURE	DATE

TYPICAL LOOP-IN CONNECTION IN PUBLIC LIGHTING COLUMN RECESS FOR SINGLE-ARMED COLUMN

HIGHWAYS DEPARTMENT LIGHTING DIVISION

REFERENCE	DRAWING No.	CAD
SCALE	HLSDHK01-CL2013C	
N.T.S.		