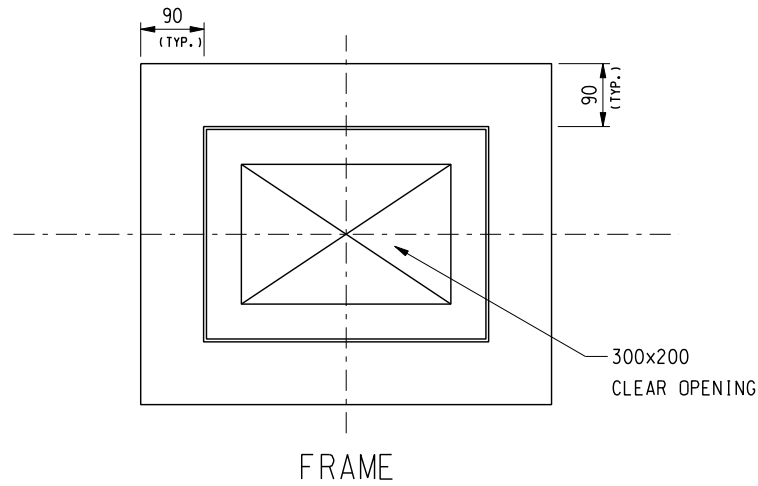
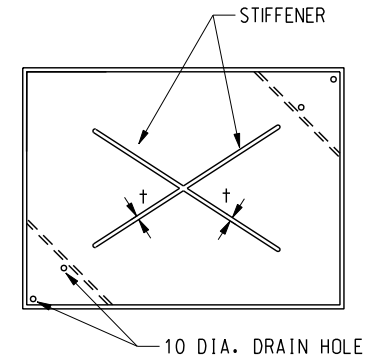
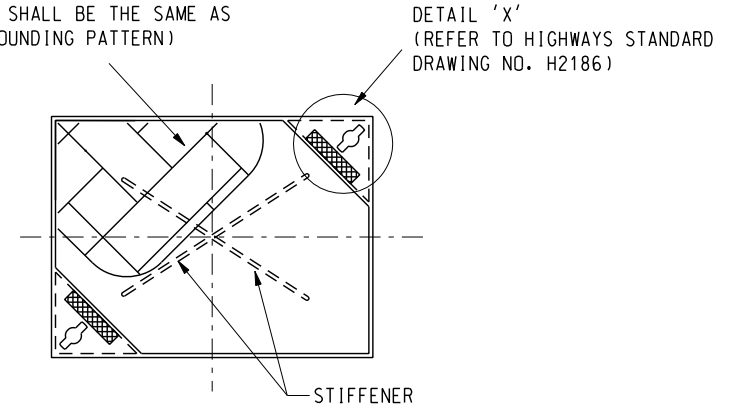


TYPICAL SECTION OF COVER AND FRAME



RECESS IN COVER FOR
INFILLING OF PAVING UNIT
(PATTERN SHOWN IS INDICATIVE
ONLY, IT SHALL BE THE SAME AS
THE SURROUNDING PATTERN)



NOTES:

1. ALL DIMENSIONS ARE IN MILLIMETRES
2. THIS DRAWING SHOULD BE READ IN CONJUNCTION WITH DRAWING NOS. HLSDSGE01-CL0025, HLSDSGE02-CL0034, HLSDSGE02-CL0035 & HLSDSGE02-CL0036 AND HIGHWAYS STANDARD DRAWING NOS. H2184 TO H2186.
3. IDENTIFICATION MARK SHALL BE "PL" FOR DRAW PITS AND EARTH PITS

LEGEND:

IDENTIFICATION MARK

C	General Revision		Aug 14
B	Amendment on type		Mar 10
A	General Revision		Mar 07
REF.	REVISION	SIGNATURE	DATE

CONCRETE EARTH PIT - FABRICATED STEEL
RECESSED COVER AND FRAME

HIGHWAYS DEPARTMENT
LIGHTING DIVISION

REFERENCE	DRAWING No.	CAD
SCALE	HLSDSGE06-CL0040C	
N.T.S.		