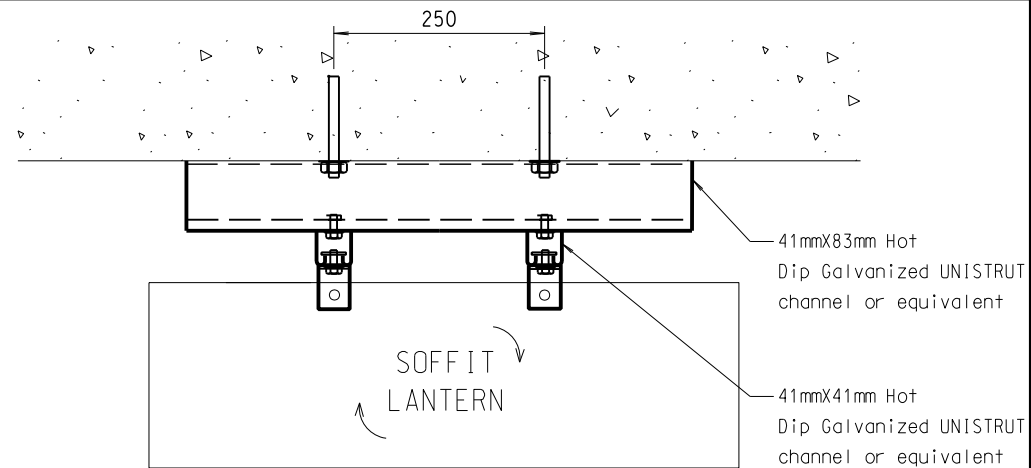


TOP VIEW

4 nos. HILTI HAS anchor bolts with washer and nut of 12mm diameter or equivalent with minimum embedded length of 80mm into the concrete to be installed by HyD Regional Office or Project Office

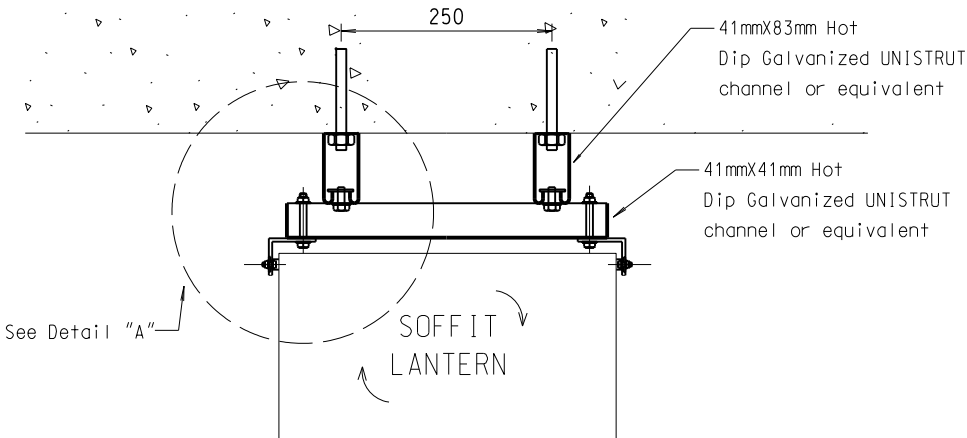


VIEW A

41mmx83mm Hot Dip Galvanized UNISTRUT channel or equivalent

41mmx41mm Hot Dip Galvanized UNISTRUT channel or equivalent

SOFFIT LANTERN



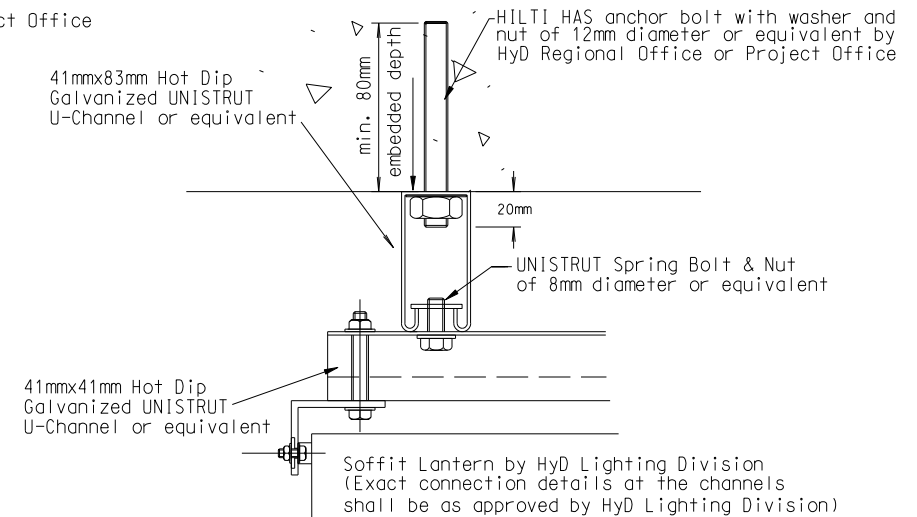
VIEW B

41mmx83mm Hot Dip Galvanized UNISTRUT channel or equivalent

41mmx41mm Hot Dip Galvanized UNISTRUT channel or equivalent

SOFFIT LANTERN

See Detail "A"



Detail "A" (1:5)

41mmx83mm Hot Dip Galvanized UNISTRUT U-Channel or equivalent

min. 80mm embedded depth

HILTI HAS anchor bolt with washer and nut of 12mm diameter or equivalent by HyD Regional Office or Project Office

UNISTRUT Spring Bolt & Nut of 8mm diameter or equivalent

41mmx41mm Hot Dip Galvanized UNISTRUT U-Channel or equivalent

Soffit Lantern by HyD Lighting Division (Exact connection details at the channels shall be as approved by HyD Lighting Division)

# Alternative Soffit Lanterns Fixing Details to Highway Standard Drawing No. H2178 (SHEET 1 of 2)

REF.	REVISION	SIGNATURE	DATE
<b>HIGHWAYS DEPARTMENT LIGHTING DIVISION</b>			
REFERENCE	DRAWING No.		CAD
SCALE	HLSDSDE04-CL0037		
1:10 or as shown			