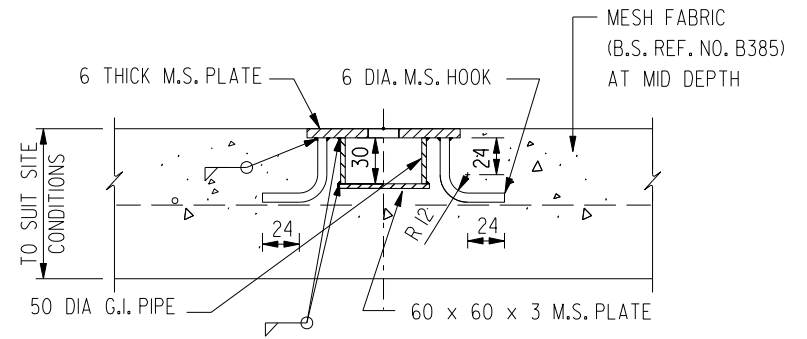
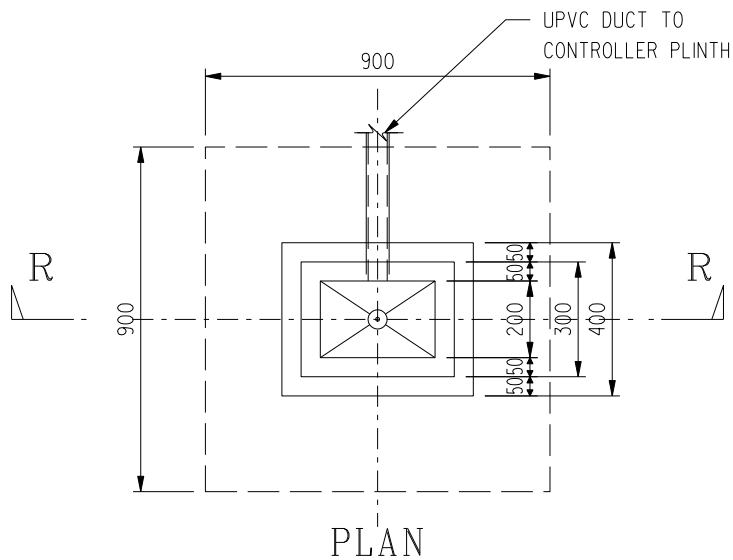
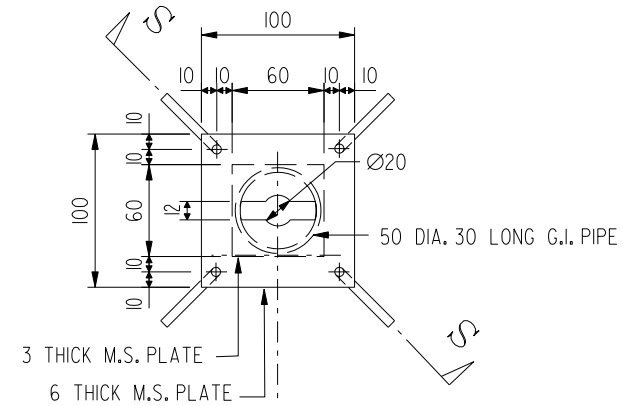


SECTION R - R



SECTION S - S



- NOTES:
- FOR NOTES REFER TO  
DRAWING NO. HLSDGE02-CL0034.
  - THIS DRAWING SHOULD BE READ  
IN CONJUNCTION WITH DRAWING  
NO. HLSDGE02-CL0036

F	General Revision of notes		Aug 14
E	General Revision of notes		Mar 10
D	General Revision		Mar 07
C	General Revision		Feb 06
B	General Revision		Jul 05
A	General Revision		Jul 02
REF.	REVISION	SIGNATURE	DATE

# CONCRETE EARTH PIT

## (SHEET 2 OF 3)

HIGHWAYS DEPARTMENT  
LIGHTING DIVISION

REFERENCE	DRAWING No.	CAD
SCALE	HLSDGE02-CL0035F	
N.T.S.		