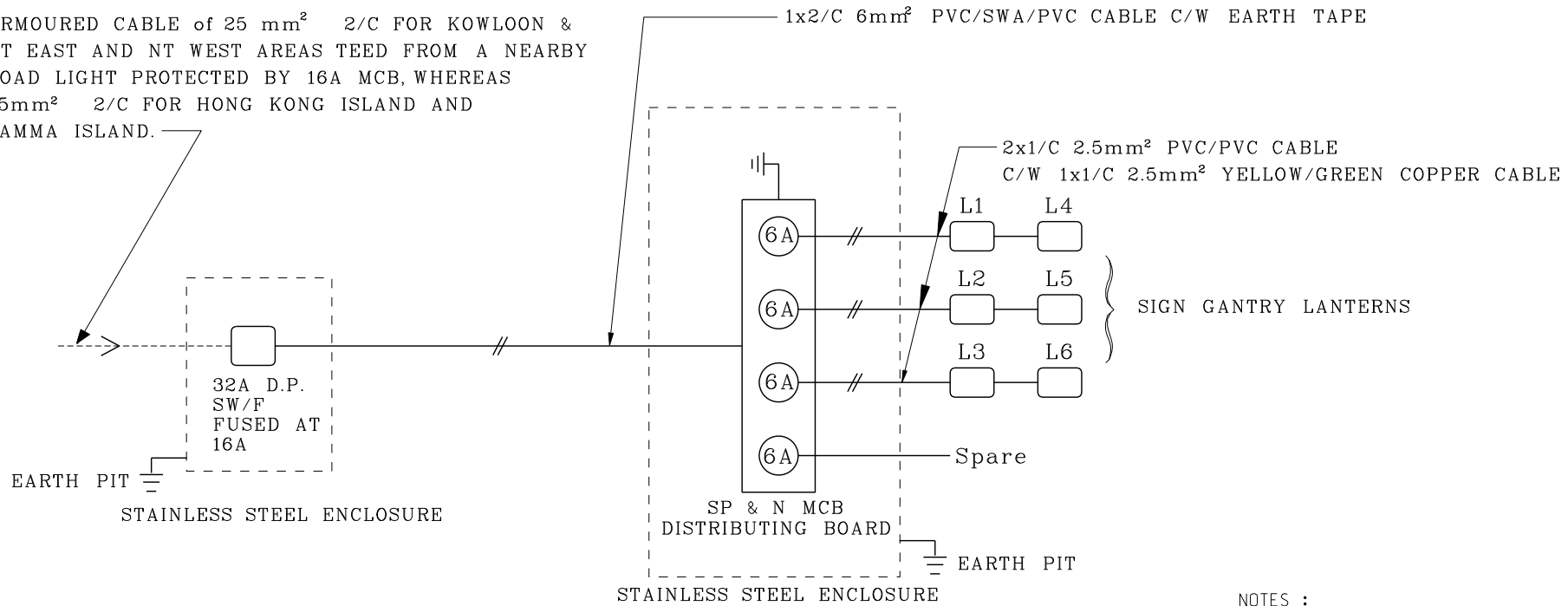


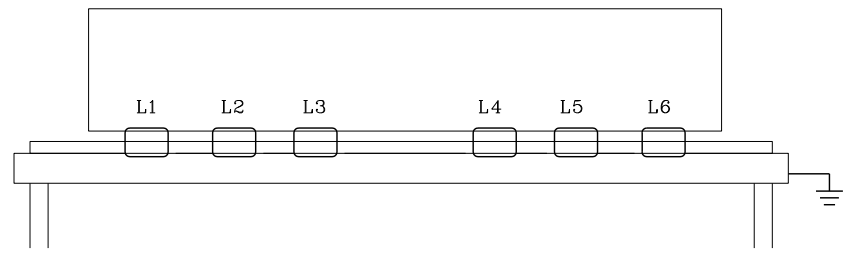
ARMOURED CABLE of 25 mm² 2/C FOR KOWLOON & NT EAST AND NT WEST AREAS TEED FROM A NEARBY ROAD LIGHT PROTECTED BY 16A MCB, WHEREAS 35mm² 2/C FOR HONG KONG ISLAND AND LAMMA ISLAND.



SCHEMATIC WIRING DIAGRAM

NOTES :

- 1. FOR GENERAL NOTES REFER TO DRAWING Nos. HLDSGE01-GS0001 TO GS0002



E	General Revision		Aug 14
D	General Revision		Mar 07
C	General Revision		Mar 06
B	General Revision		Jul 05
A	Schematic Wiring Diagram Revised. Former Drawing No. Revised.		Apr 04
	Former Drg. No. LDS02000-GS0017A with general revision		Dec 01
REF.	REVISION	SIGNATURE	DATE

SCHEMATIC WIRING DIAGRAM FOR GANTRIES WITH SIX LANTERNS (SHEET 5 OF 5)

**HIGHWAYS DEPARTMENT
LIGHTING DIVISION**

REFERENCE	DRAWING No.	CAD
SCALE	HLDSGE01-GS0017E	
N.T.S.		