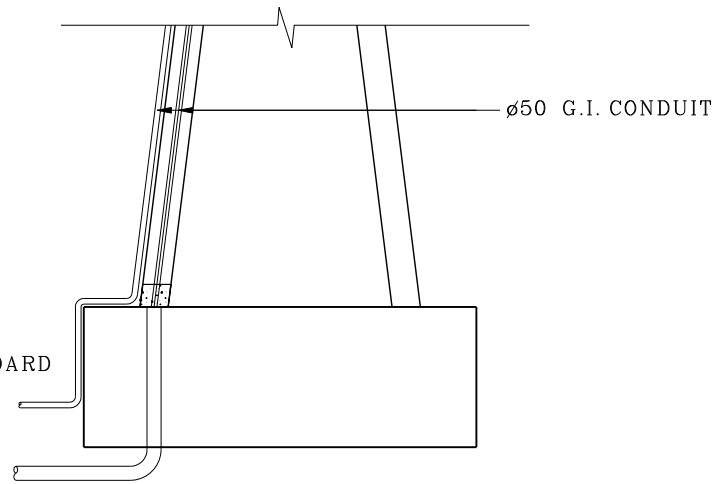


TO DRAW PIT
SEE DETAIL (HLSDSGE01-CL0025)

FRONT ELEVATION

TO EARTH PIT
SEE HYD STANDARD
DRAWING No.
H2165 TO H2166



SIDE ELEVATION

NOTES :

1. FOR GENERAL NOTES REFER TO
DRAWING Nos. HLSDSGE01-GS0001 TO GS0002

D	General Revision		Aug 14
C	General Revision		Mar 07
B	General Revision		Mar 06
A	General Revision		Jul 05
	Former Drg. No. LSD2000-GS0007 with general revision		Dec 01
REF.	REVISION	SIGNATURE	DATE

GANTRY SIGN LIGHTING INSTALLATION-
POWER SUPPLY FROM FOOTING NOT ON
STRUCTURE - DETAIL 'B' (SHEET 5 OF 10)

HIGHWAYS DEPARTMENT LIGHTING DIVISION		
REFERENCE	DRAWING No.	CAD
SCALE N.T.S.	HLSDSGE01-GS0007D	