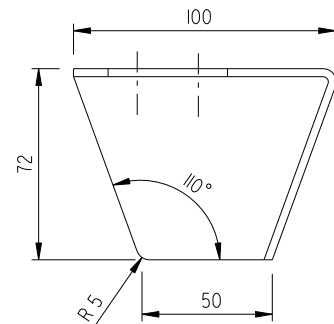
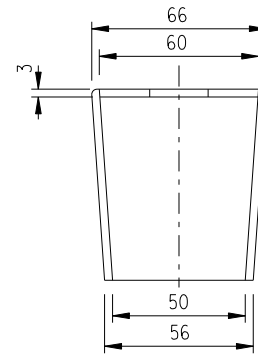


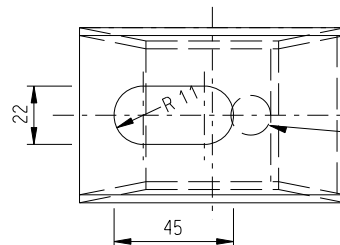
LIFTING KEY



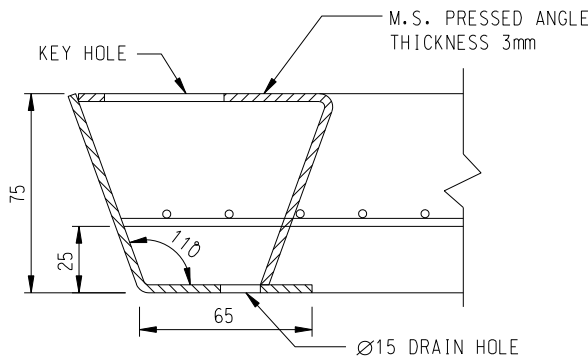
ELEVATION



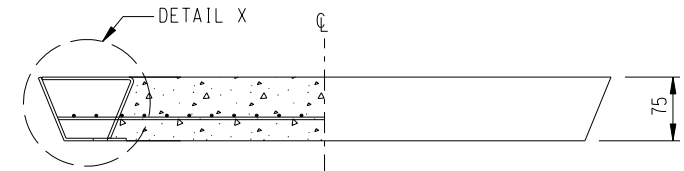
SIDE VIEW



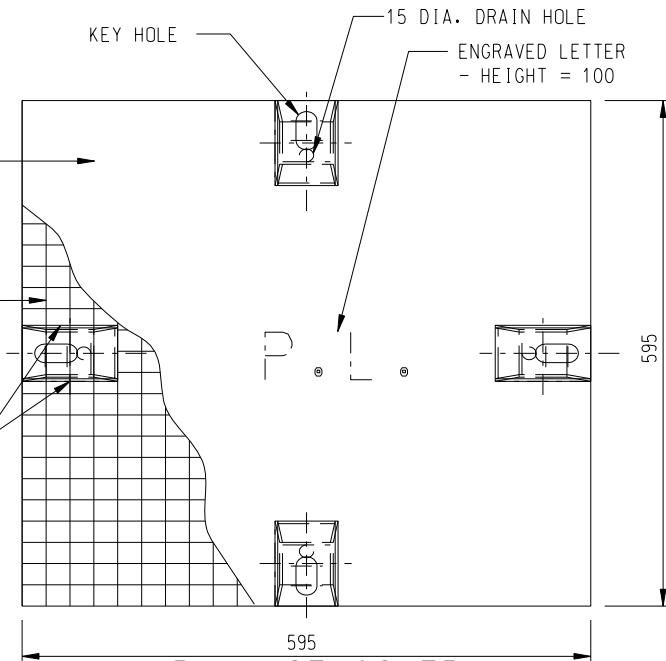
PLAN



DETAIL X



SECTION Z-Z



PLAN OF COVER

NOTES:

1. ALL DIMENSIONS ARE IN MILLIMETRES.
2. THIS DRAWING SHOULD BE READ IN CONJUNCTION WITH DRAWING NO. HLSDGE01-CL0025.

COVER TO BE FILLED WITH GRADE 30/20 CONCRETE ON SITE BY INSTALLER

REINFORCEMENT MESH B.S. REF. NO. C283

REINFORCING BARS WELDED ALL ROUND TO ANGLE FOR EVERY ALTERNATE BAR

F	General revision of Notes		Aug 14
E	General revision of Notes		Mar 10
D	General revision of Notes		Mar 07
C	General revision of Notes		Feb 06
B	General revision		Jul 05
A	General revision of Notes		May 02
	Former Drg. No. LSD2000-CL0037		Dec 01
REF.	REVISION	SIGNATURE	DATE

PUBLIC LIGHTING DRAW-PIT DETAILS
(SHEET 2 OF 2)

HIGHWAYS DEPARTMENT
LIGHTING DIVISION

REFERENCE	DRAWING No.	CAD
SCALE	HLSDGE01-CL0026F	
N.T.S.		