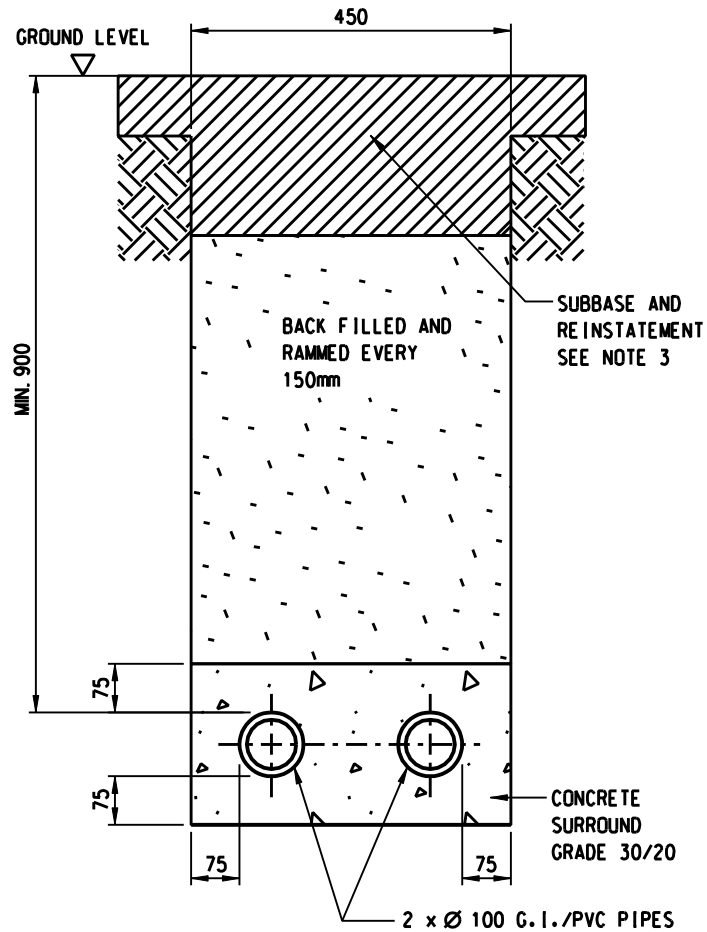
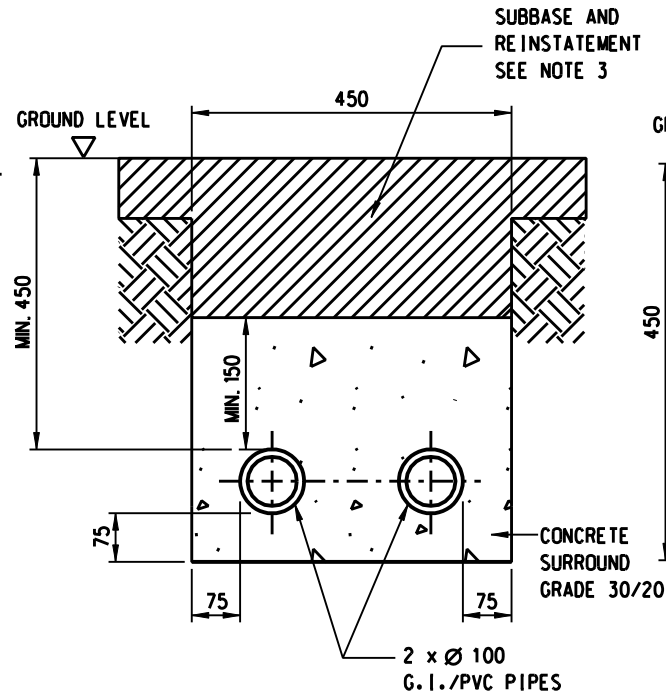


NOTES:

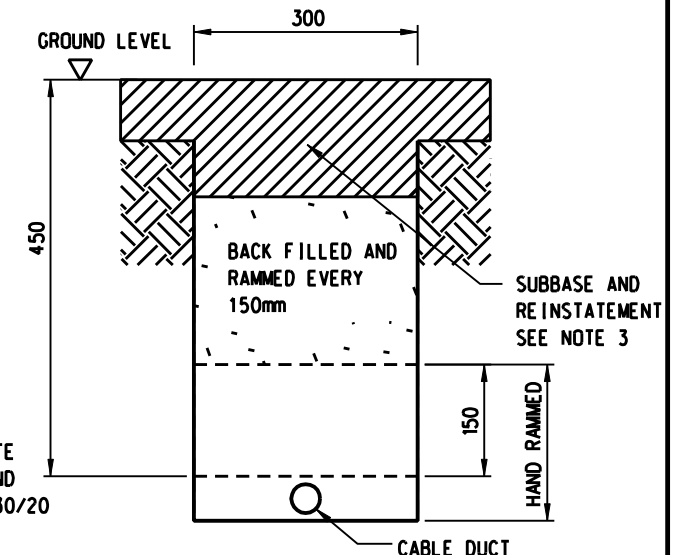
1. ALL DIMENSIONS ARE IN MILLIMETRES.
2. ALL PCV/G.I. JOINTS MUST BE SECURELY CEMENTED TO PREVENT INGRESS OF WATER.
3. FOR TEMPORARY AND PERMANENT REINSTATEMENT OF PAVEMENTS, SEE HIGHWAY STANDARD DRAWINGS NOS. H1123 TO H1131.



TYPICAL DUCT CROSSING  
(CARRIAGEWAY)



TYPICAL DUCT CROSSING  
(RUN-IN)



TYPICAL CABLE TRENCH  
(FOOTPATH)

D	Revision on Typical Duct Crossing for Run-in		Jan 15
C	Text deleted		May 07
B	General revision		Jul 02
A	General revision		Jun 02
	Former Drg. No. LDS02000-CL0033 with general revision		Dec 01
REF.	REVISION	SIGNATURE	DATE

DETAILS OF CABLE TRENCH  
AND DUCT CROSSING

HIGHWAYS DEPARTMENT  
LIGHTING DIVISION

REFERENCE	DRAWING No.	CAD
SCALE	HLDS01-CL0022D	
	N.T.S.	