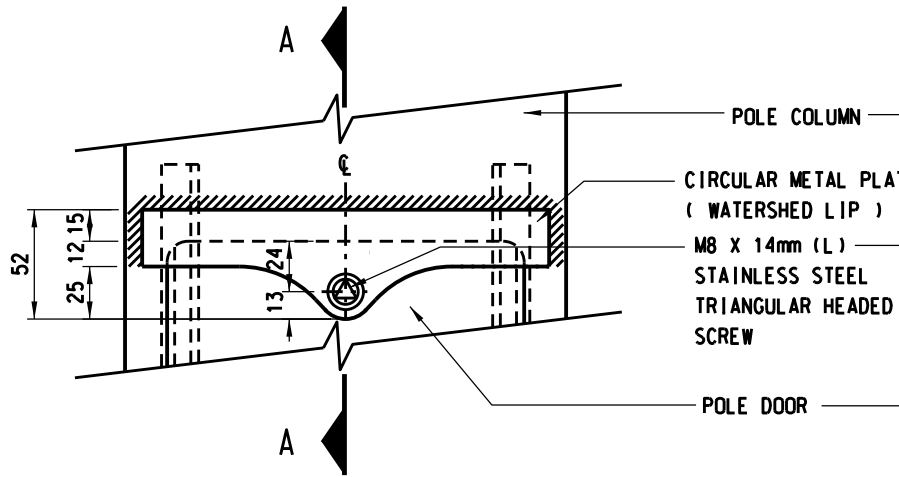
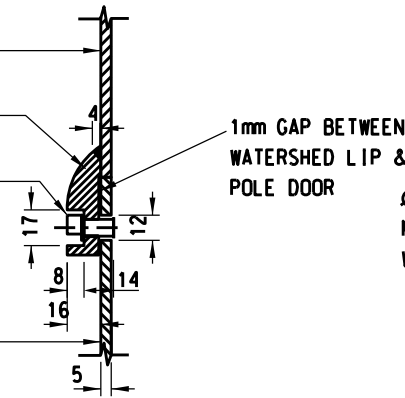


NOTES:

1. ALL DIMENSIONS ARE IN MILLIMETRES.
2. THIS DRAWING SHOULD BE READ WITH DWG. NOS. HLSDSGE01-CL0014 AND HLSDSGE01-CL0015.

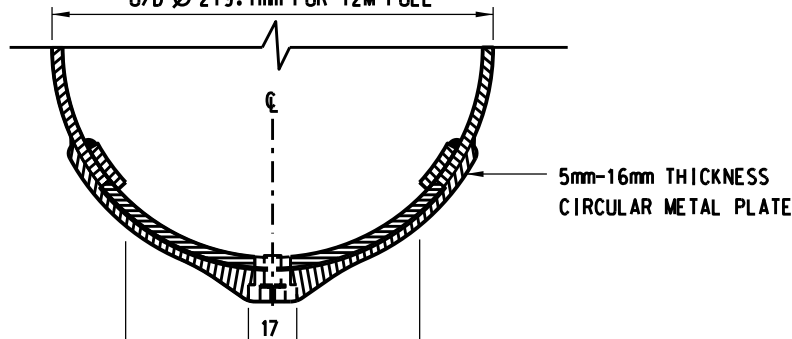


FRONT ELEVATION OF CIRCULAR METAL PLATE

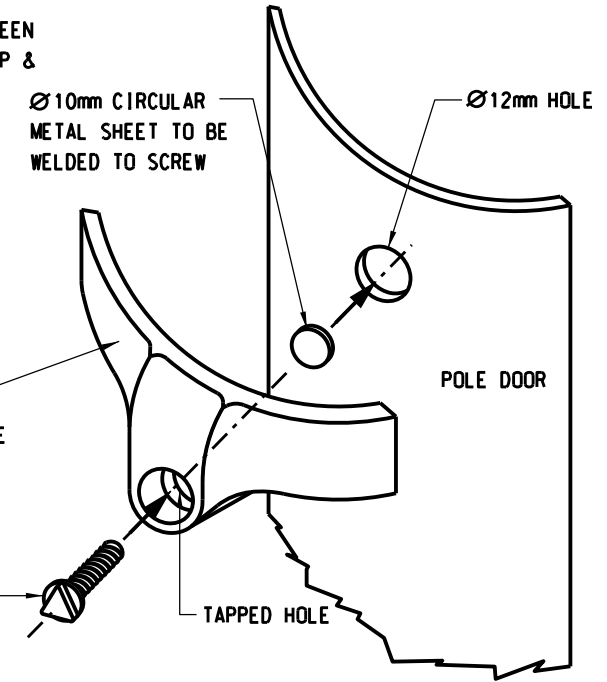


SECTION A-A

- O/D \varnothing 140.0mm FOR 4M & 5.1M POLE
- O/D \varnothing 193.7mm FOR 8M POLE
- O/D \varnothing 193.7mm FOR 10M POLE
- O/D \varnothing 219.1mm FOR 12M POLE



PART OF CROSS-SECTION



ASSEMBLY DOOR ANCHORING SYSTEM

B	General revision		AUG 14
A	Former Drg. No. L0SDGE01-CL0020A with general revision		Jul 05
	Former Drg. No. L0SD2000-CL0020 with general revision		Dec 01
REF.	REVISION	SIGNATURE	DATE

DOOR ANCHORING SYSTEM FOR LIGHTING COLUMN

HIGHWAYS DEPARTMENT LIGHTING DIVISION

REFERENCE	DRAWING No.	CAD
SCALE	HLSDSGE01-CL0020B	
N.T.S.		