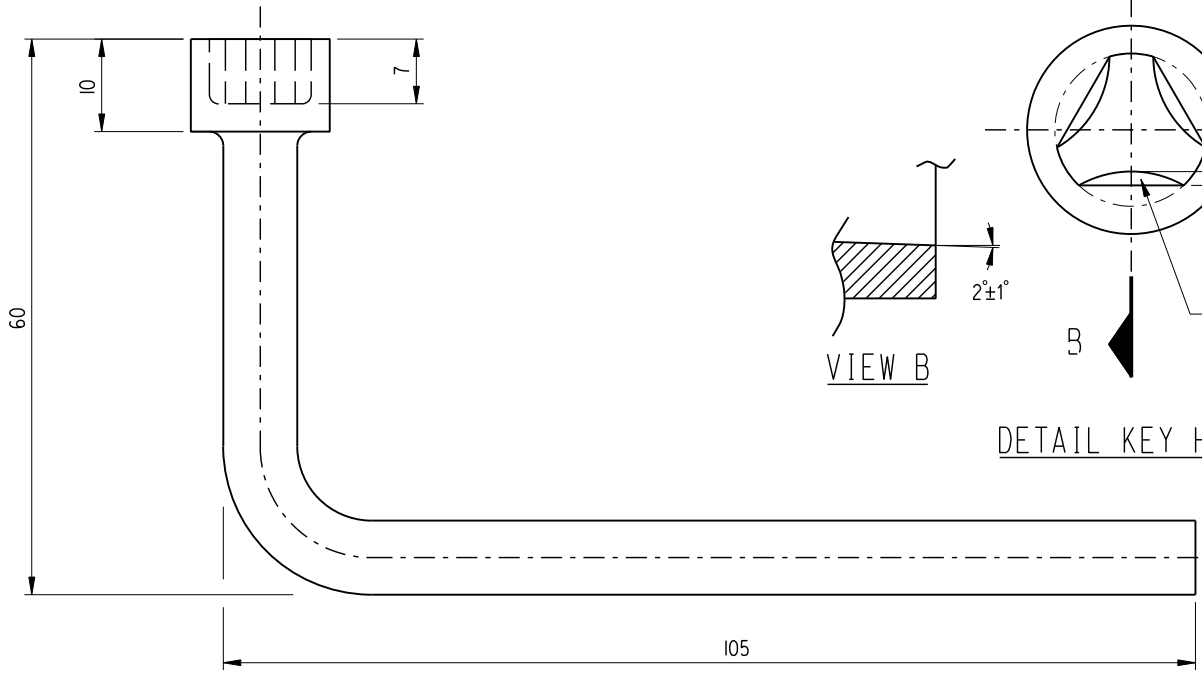
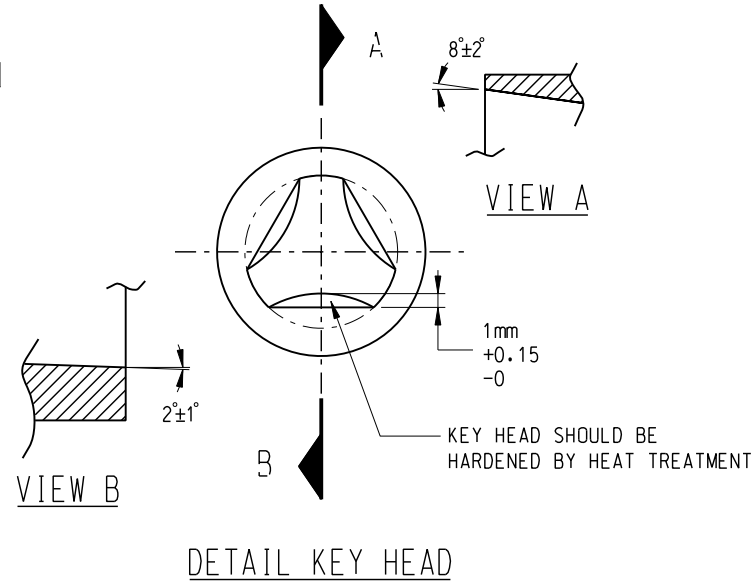


FRONT ELEVATION



PLAN



DETAIL KEY HEAD

NOTES:

1. ALL DIMENSIONS ARE IN MILLIMETRES.
2. MATERIAL TO BE MILD STEEL.

	Former Drg. No. LSDSGE01-CL0018 with general revision		AUG 14
REF.	REVISION	SIGNATURE	DATE

HIGHWAYS DEPARTMENT
LIGHTING DIVISION

L-KEY FOR DOOR LOCKING SYSTEM

REFERENCE	DRAWING No.	CAD
SCALE N.T.S.	HLSDSGE01-CL0018	