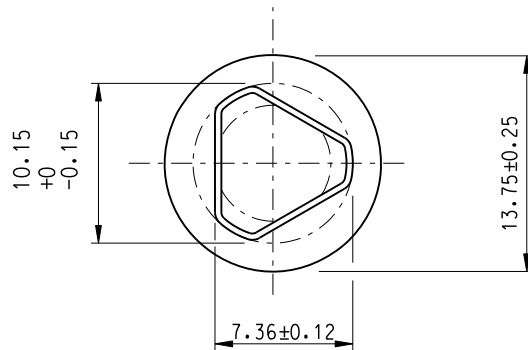


FRONT ELEVATION



PLAN

DIAMETER OF INSCRIBED CIRCLE
AT BASE OF HEAD

NOTE:

1. ALL DIMENSIONS ARE IN MILLIMETRES.

| | | | |
|------|--|-----------|--------|
| | Former Drg. No. LSDSGE01-CL0017 with general revision | | AUG 14 |
| REF. | REVISION | SIGNATURE | DATE |

STAINLESS STEEL TRIANGULAR HEADED
LOCKING SCREW FOR LIGHTING COLUMN DOOR

HIGHWAYS DEPARTMENT
LIGHTING DIVISION

| | | |
|-----------------|------------------|-----|
| REFERENCE | DRAWING No. | CAD |
| SCALE N.T.S. | HLSDSGE01-CL0017 | |