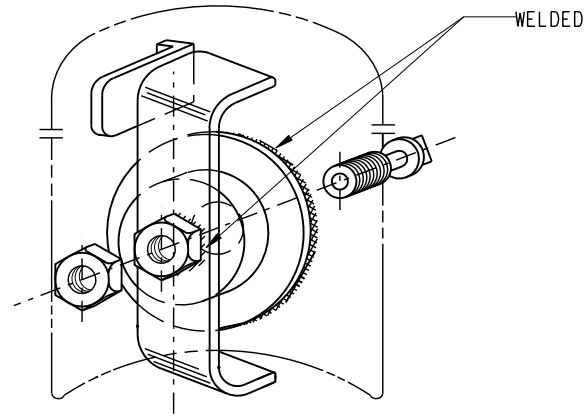
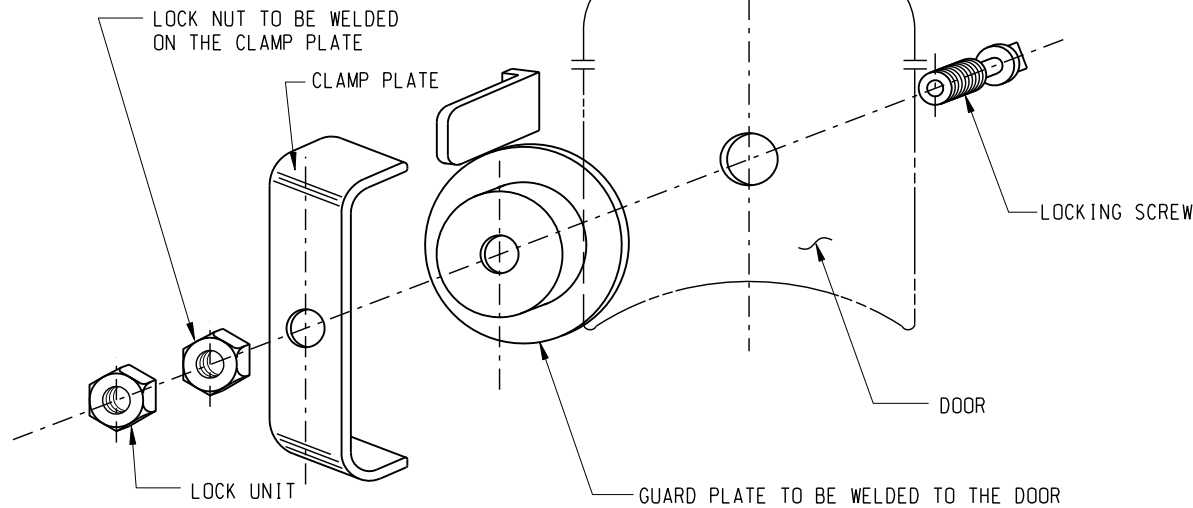


NOTE:

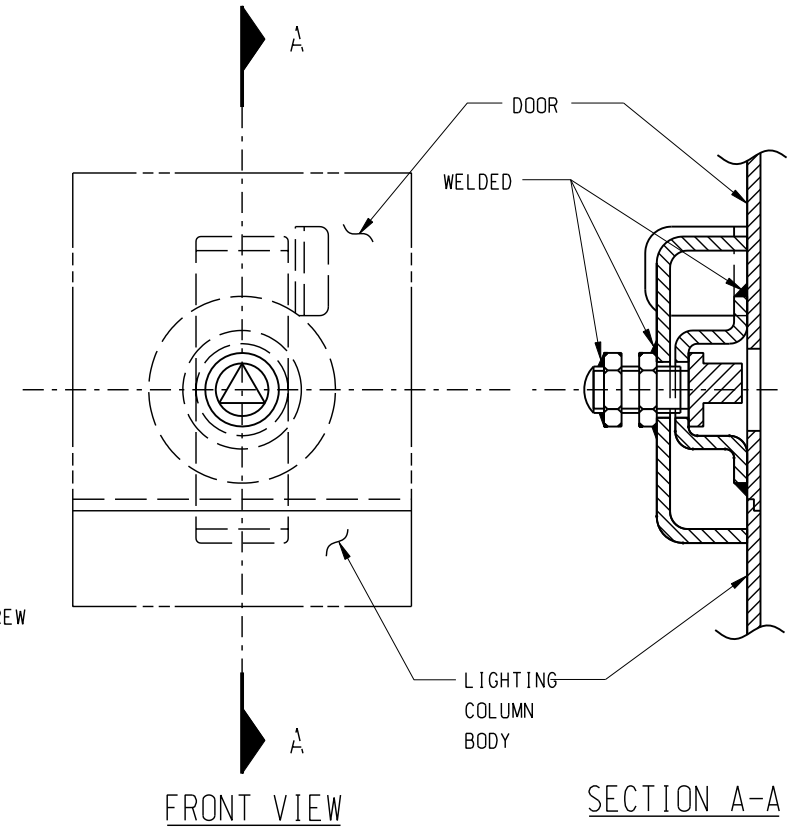
1. ALL DIMENSIONS ARE IN MILLIMETRES.



ASSEMBLY DOOR LOCKING SYSTEM



DETAILS OF COMPONENTS



FRONT VIEW

SECTION A-A

	Former Drg. No. LDSGE01-CL0016 with general revision		AUG 14
REF.	REVISION	SIGNATURE	DATE

HIGHWAYS DEPARTMENT
LIGHTING DIVISION

DOOR LOCKING SYSTEM
FOR LIGHTING COLUMN

REFERENCE	DRAWING No.	CAD
SCALE N.T.S.	HLDSGE01-CL0016	