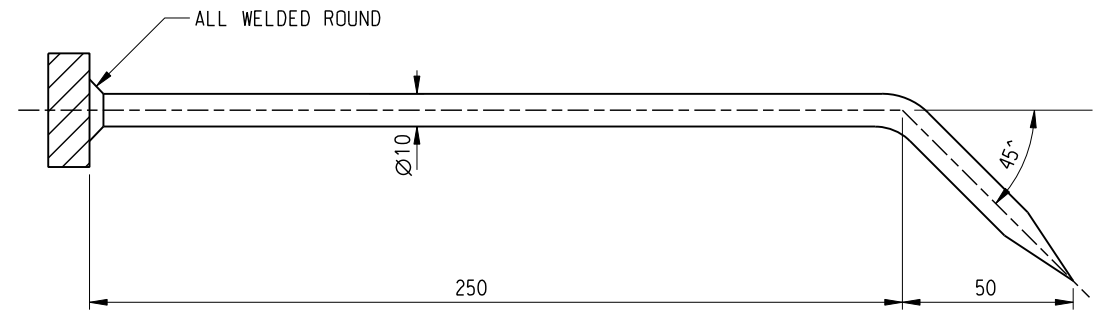
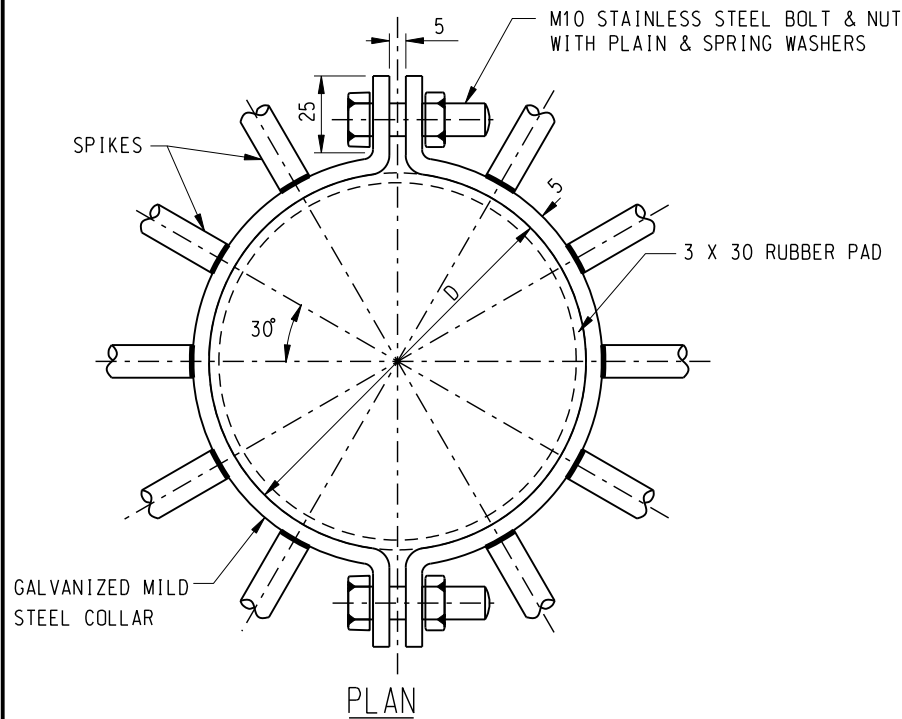


TYPE OF COL.	COLLAR 'D' (mm)
4m	82
5.1m	82
8m	120
10m	120
12m	146

NOTES:

1. THE WHOLE COLLAR EXCEPT THE STAINLESS STEEL BOLT, PLAIN & SPRING WASHERS & NUTS MUST BE HOT-DIP GALVANIZED.
2. A 3mm THICK X 30mm WIDTH RUBBER PAD MUST BE EMBEDDED BETWEEN THE COLLAR AND THE LIGHTING COLUMN.
3. ALL DIMENSIONS ARE IN MILLIMETRES.



DETAIL OF SPIKE

C	Dimension revised		Feb 06
B	Former Drg. No. LSDSGE01-CL0008A with general revision		Jul 05
A	General revision		Jun 02
	Former Drg. No. LSD2000-CL0008 with general revision		Dec 01
REF.	REVISION	SIGNATURE	DATE

ANTI-CLIMBING GUARD

HIGHWAYS DEPARTMENT
LIGHTING DIVISION

REFERENCE	DRAWING No.	CAD
SCALE	HLSDSGE01-CL0008C	
N.T.S.		