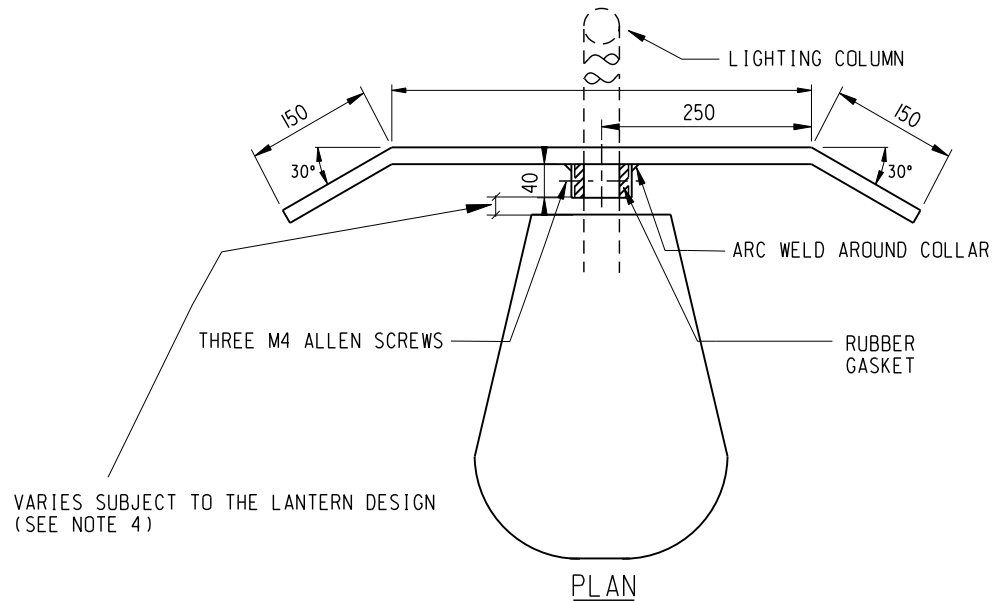


FRONT ELEVATION



NOTES:

1. MATERIAL FOR THIS SHIELD SHALL BE 2mm THICK MILD STEEL PLATE AND HOT DIP GALVANISED TO BS EN ISO1461.
2. ALL DIMENSIONS ARE IN MILLIMETRES.
3. THE FINAL DETAILS SHALL BE SUBMITTED AND APPROVED BY THE ENGINEER.
4. LIGHT SHIELD SHALL BE INSTALLED CLOSEST TO THE LANTERN AS FAR AS POSSIBLE.

D	Lantern and note 5 added		Apr 09
C	Rubber gasket added General revision		Feb 06
B	General revision		Jul 05
A	General revision		Jul 02
	Former Drg. No. LSD2000-CL0007 with general revision		Dec 01
REF.	REVISION	SIGNATURE	DATE

HIGHWAYS DEPARTMENT  
LIGHTING DIVISION

LIGHT SHIELD FOR STREET LIGHTS

REFERENCE	DRAWING No.	CAD
SCALE	HLSDGE01-CL0007D	
N.T.S.		