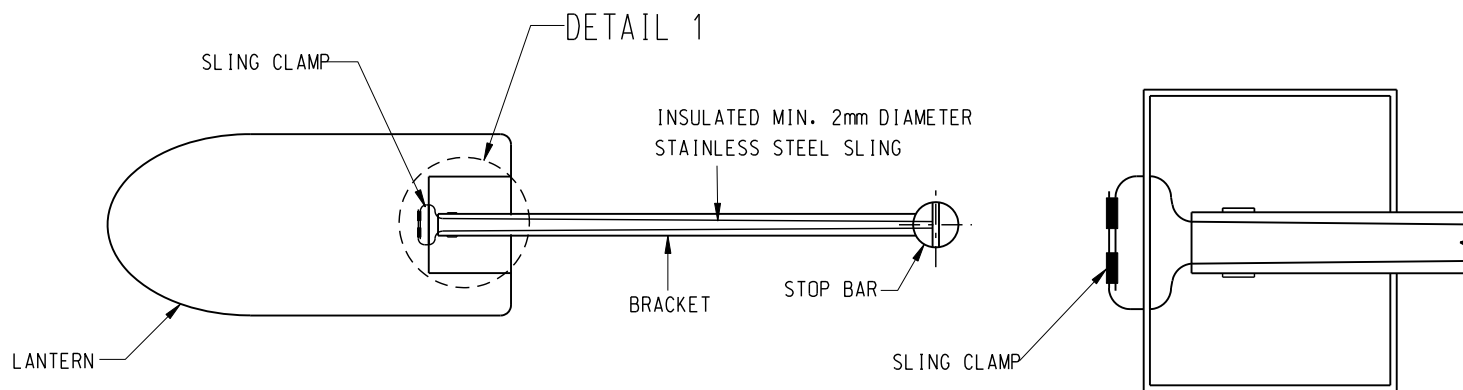


FRONT ELEVATION



SECTION A-A

DETAIL 1

NOTES:

1. ALL DIMENSIONS ARE IN MILLIMETRES.
2. SAFETY SLINGS OR EQUIVALENT SHALL BE PROVIDED FOR ALL LANERNS.
3. DETAILS OF INSTALLATION AND CONNECTION OF THE SAFETY SLINGS SHALL BE SUBMITTED FOR THE ENGINEER'S APPROVAL.

B	Diameter of safety sling and notes revised		Feb 06
A	General revision		Jul 02
	Former Drg. No. LDS2000-CL0004 with general revision		Dec 01
REF.	REVISION	SIGNATURE	DATE

SAFETY SLING ARRANGEMENT FOR LANERN

HIGHWAYS DEPARTMENT
LIGHTING DIVISION

REFERENCE	DRAWING No.	CAD
SCALE	HLSDSGE01-CL0004B	
N.T.S.		