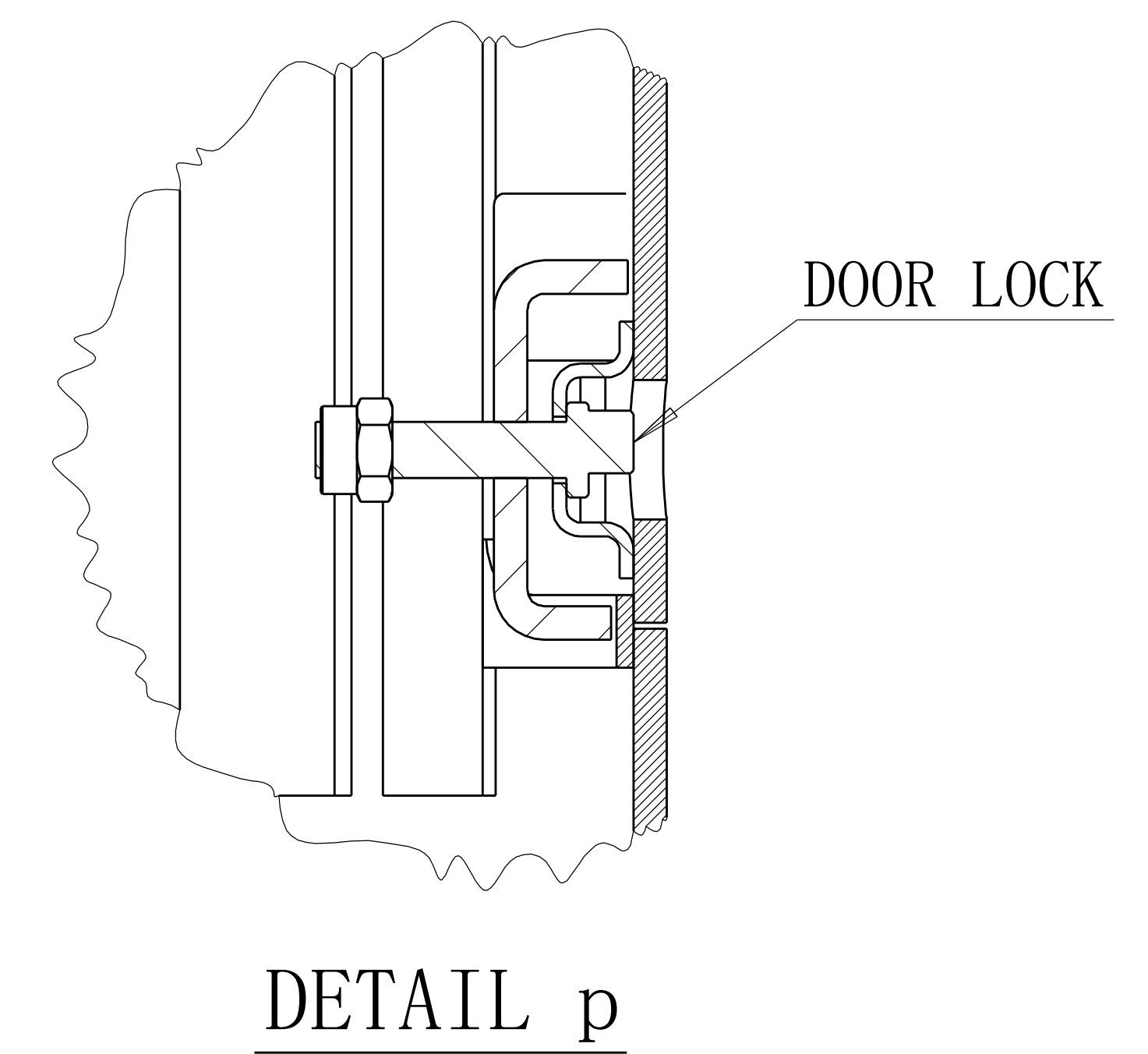
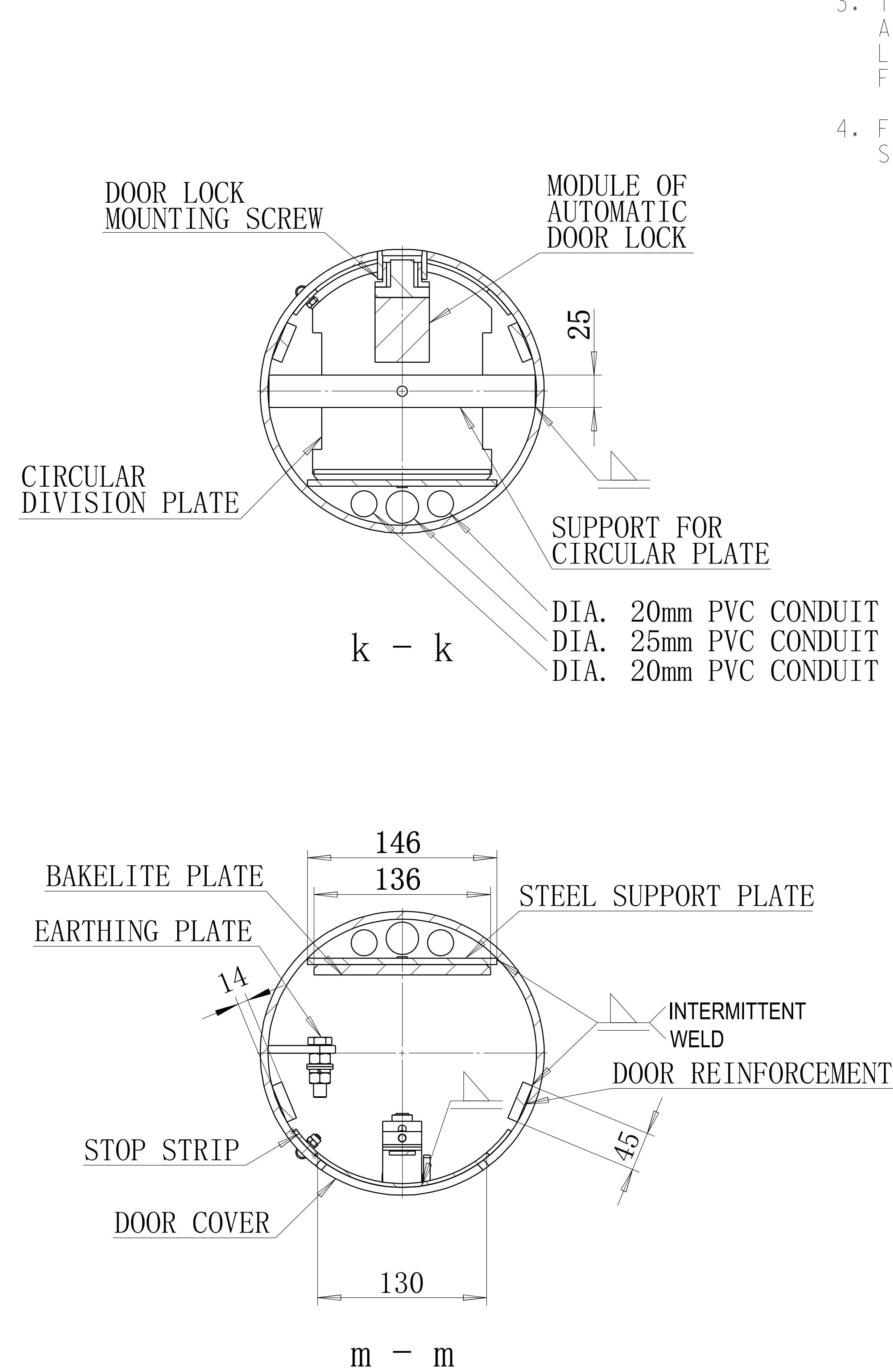


COLUMN DOORS

h - h



DETAIL p

NOTES:

1. ALL DIMENSIONS ARE IN MILLIMETERS.
2. THIS DRAWING SHALL BE READ IN CONJUNCTION WITH DRAWING NO. HLDSGE07-CL0053, DRAWING NO. HLDSGE07-CL0054 AND DRAWING NO. HLDSGE07-CL0056.
3. THE INSTALLATION LOCATIONS OF CONDUITS SHOWN ON SECTION DETAILS ARE INDICATIVE ONLY. THE CONTRACTOR MAY ADJUST THE INSTALLATION LOCATIONS ON SITE TO SUIT THE ACTUAL SITE CONDITION AND TO FACILITATE THE INSTALLATION OF SMART DEVICES.
4. FOR NON-SPECIFIED DIMENSIONS, RELEVANT APPROVAL BY THE ENGINEER SHALL BE SOUGHT.

REF.	New issue	SIGNATURE	Feb 21
	REVISION		DATE

HIGHWAYS DEPARTMENT  
LIGHTING DIVISION

REFERENCE	DRAWING No.	CAD
SCALE	HLDSGE07-CL0055	
N.T.S.		

STANDARD DIMENSIONS FOR SMART  
LAMPPOST COLUMN (SHEET 3 OF 4)