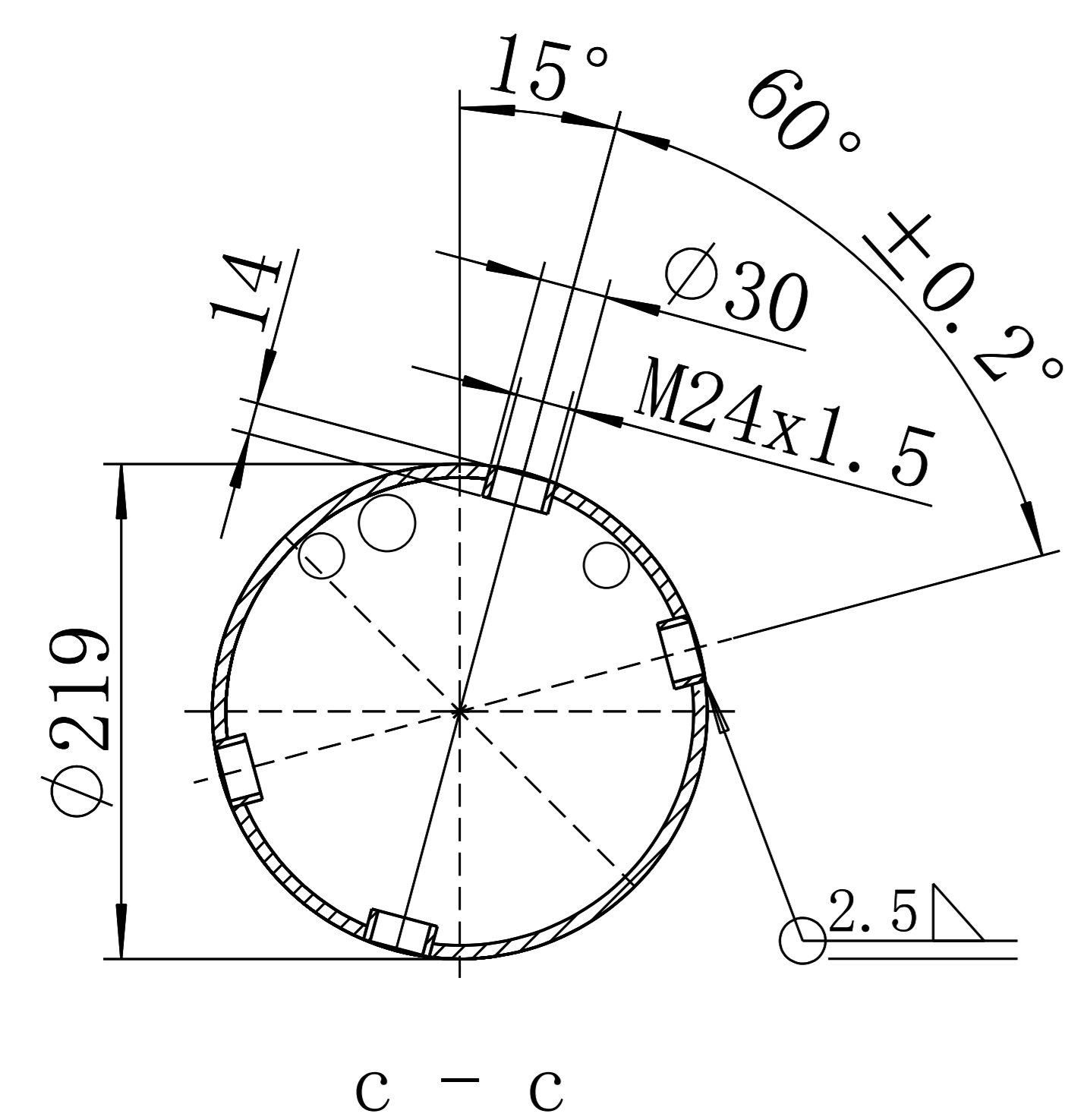
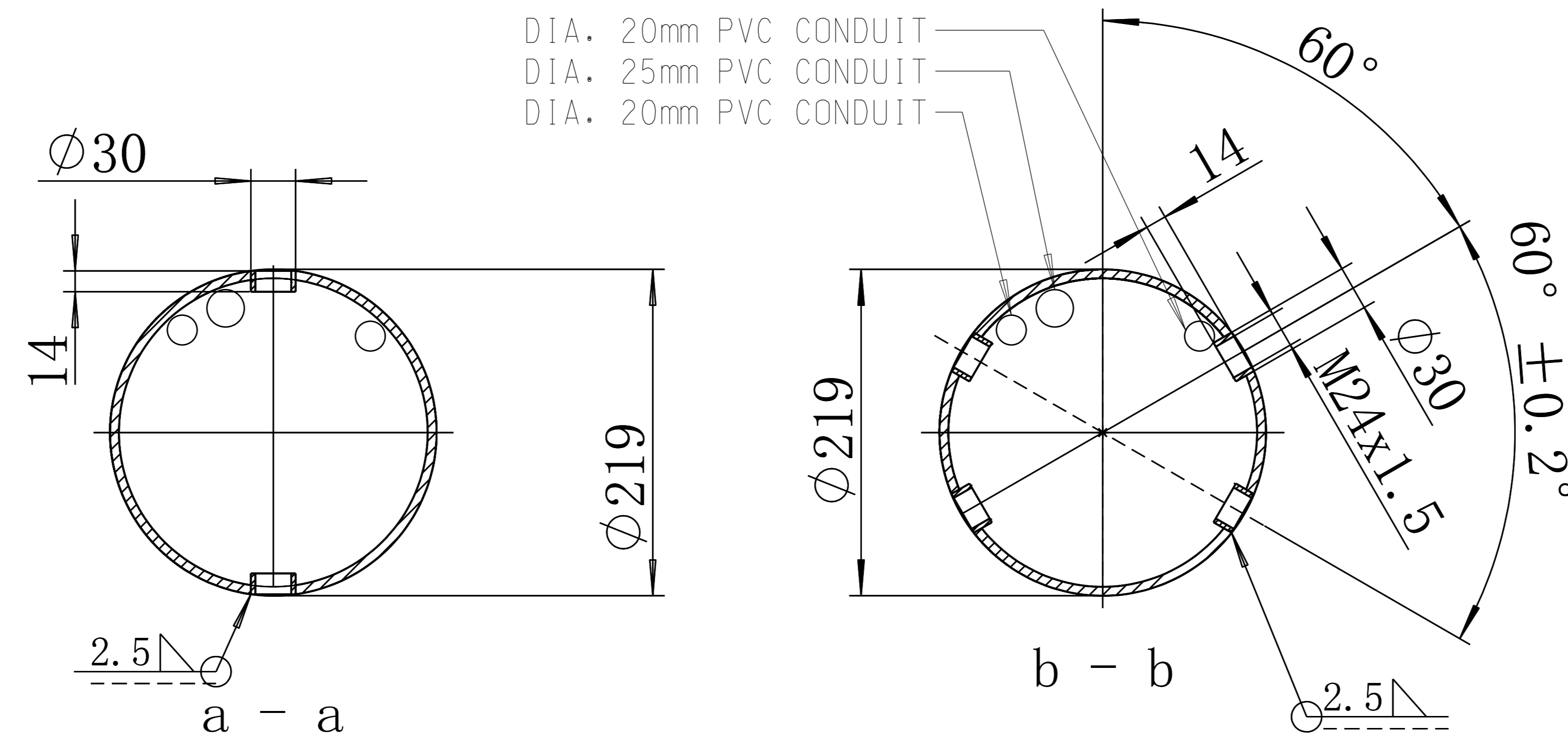
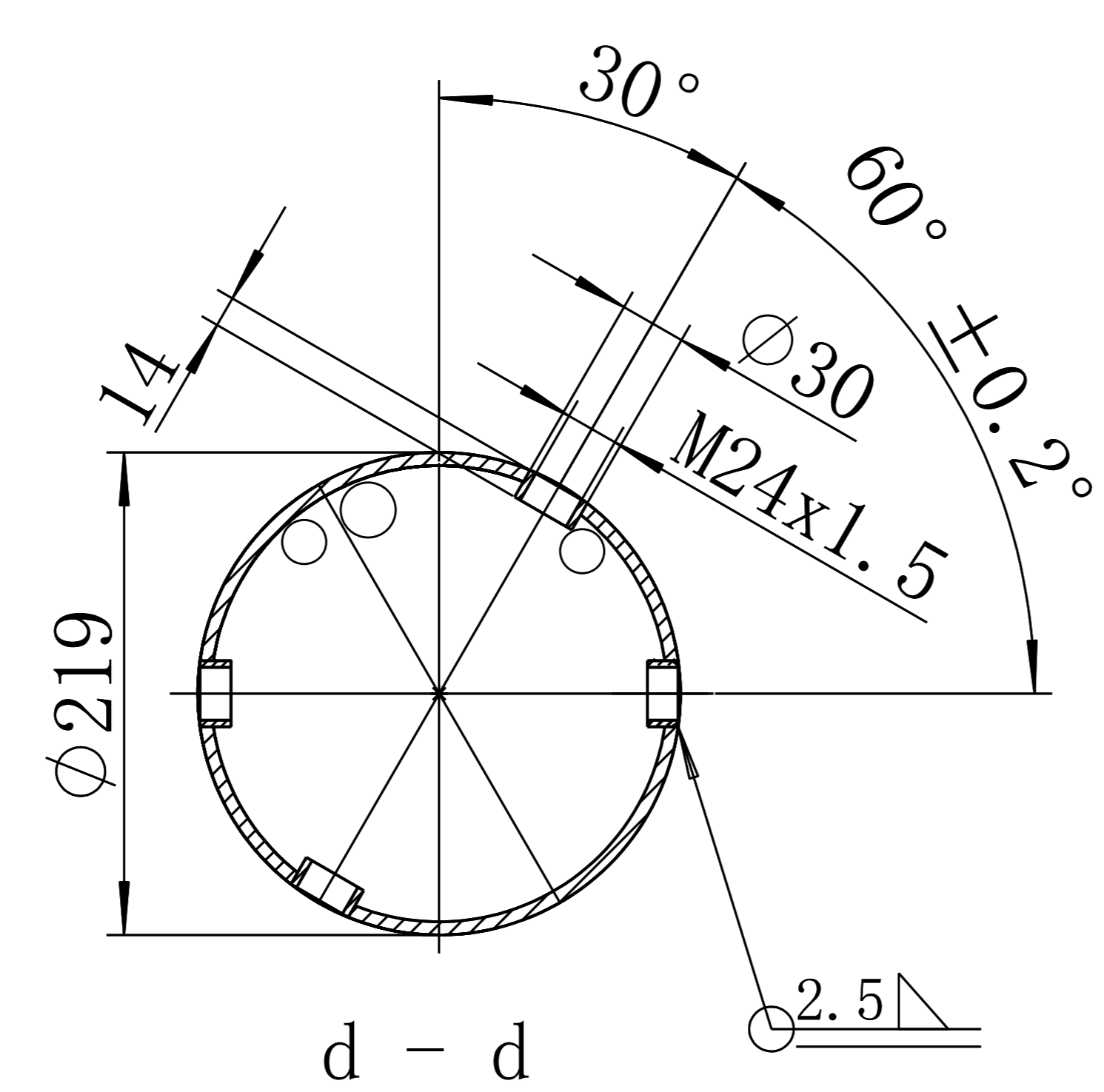


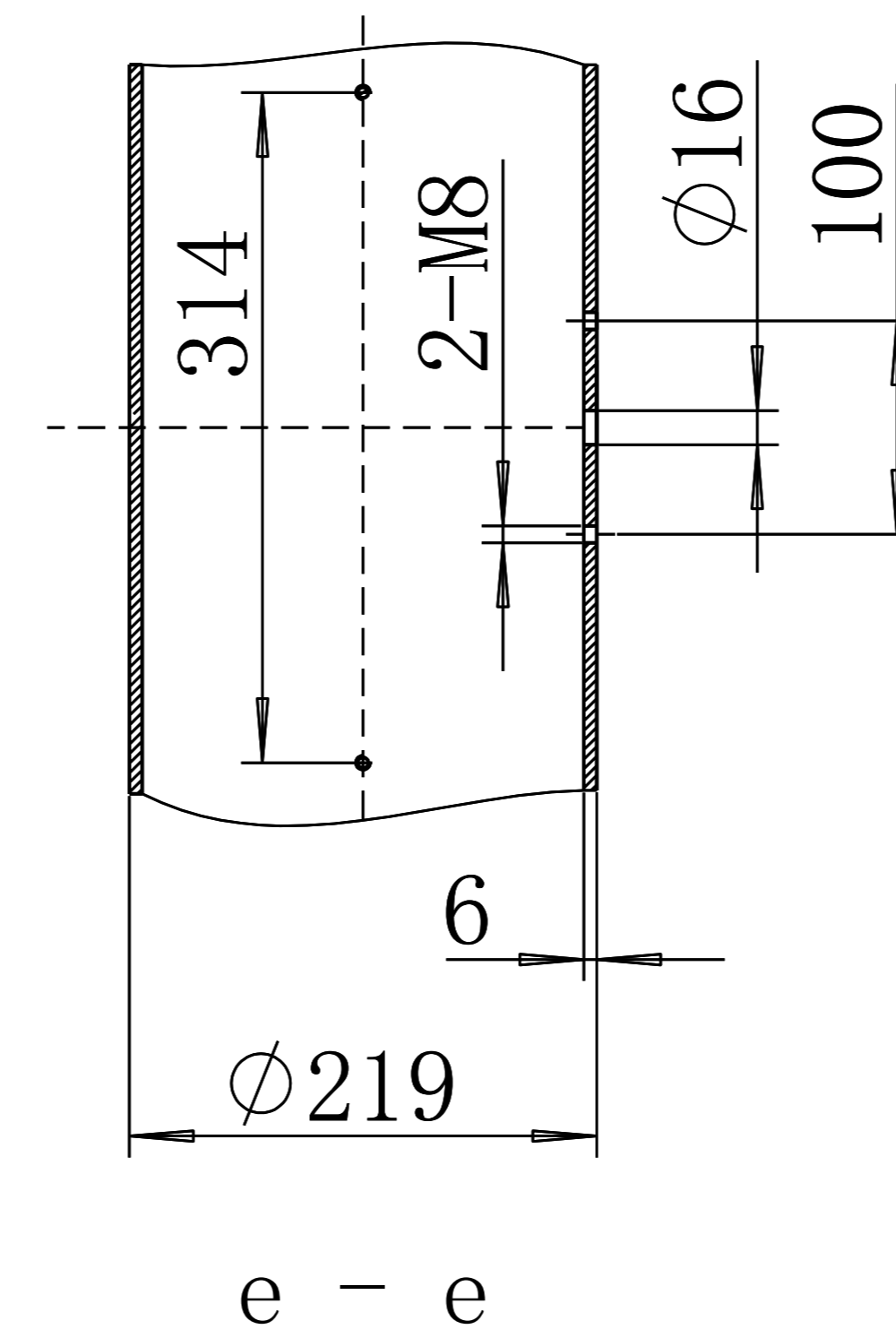
DETAILS OF TOP OF COLUMN



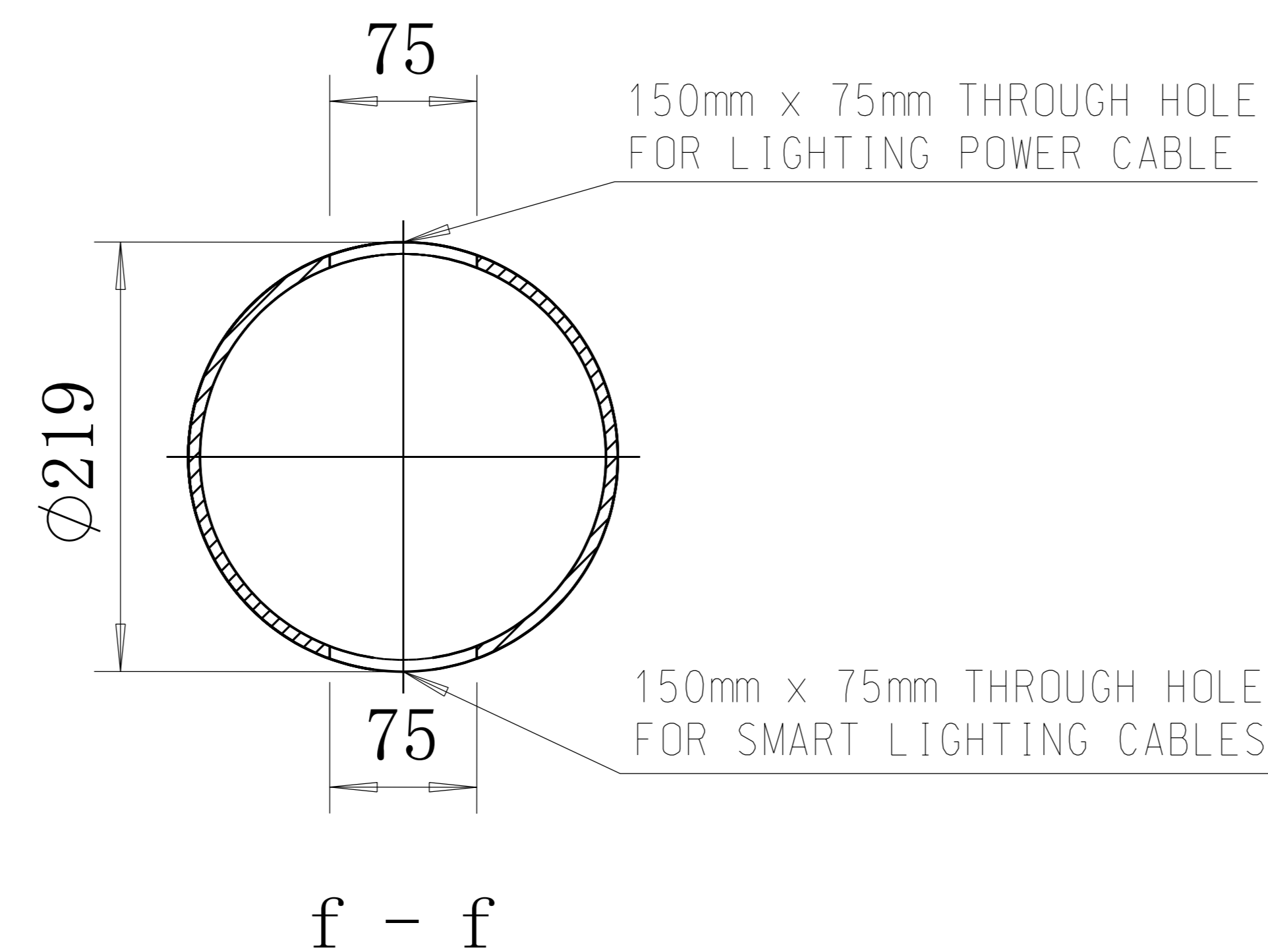
c - c



d - d



e - e



f - f

NOTES:

1. ALL DIMENSIONS ARE IN MILLIMETERS.
2. THIS DRAWING SHALL BE READ IN CONJUNCTION WITH DRAWING NO. HLSDSGE07-CL0053, DRAWING NO. HLSDSGE07-CL0055 AND DRAWING NO. HLSDSGE07-CL0056.
3. THE SECTION DETAILS OF LIGHTING COLUMN IN THIS DRAWING SHOW THE INSTALLATION ARRANGEMENT OF SMART DEVICE HOUSING. DETAILS OF THE SMART DEVICE HOUSING SHALL REFER TO DRAWING NO. HLSDSGE07-CL0056.
4. THE INSTALLATION LOCATIONS OF CONDUITS SHOWN ON SECTION DETAILS ARE INDICATIVE ONLY. THE CONTRACTOR MAY ADJUST THE INSTALLATION LOCATIONS ON SITE TO SUIT THE ACTUAL SITE CONDITION AND TO FACILITATE THE INSTALLATION OF SMART DEVICES.
5. FOR NON-SPECIFIED DIMENSIONS, RELEVANT APPROVAL BY THE ENGINEER SHALL BE SOUGHT.

	New issue		Feb 21
REF.	REVISION	SIGNATURE	DATE

HIGHWAYS DEPARTMENT  
LIGHTING DIVISION

REFERENCE	DRAWING No.	CAD
SCALE	HLSDSGE07-CL0054	
N.T.S.		

STANDARD DIMENSIONS FOR SMART  
LAMPPOST COLUMN (SHEET 2 OF 4)