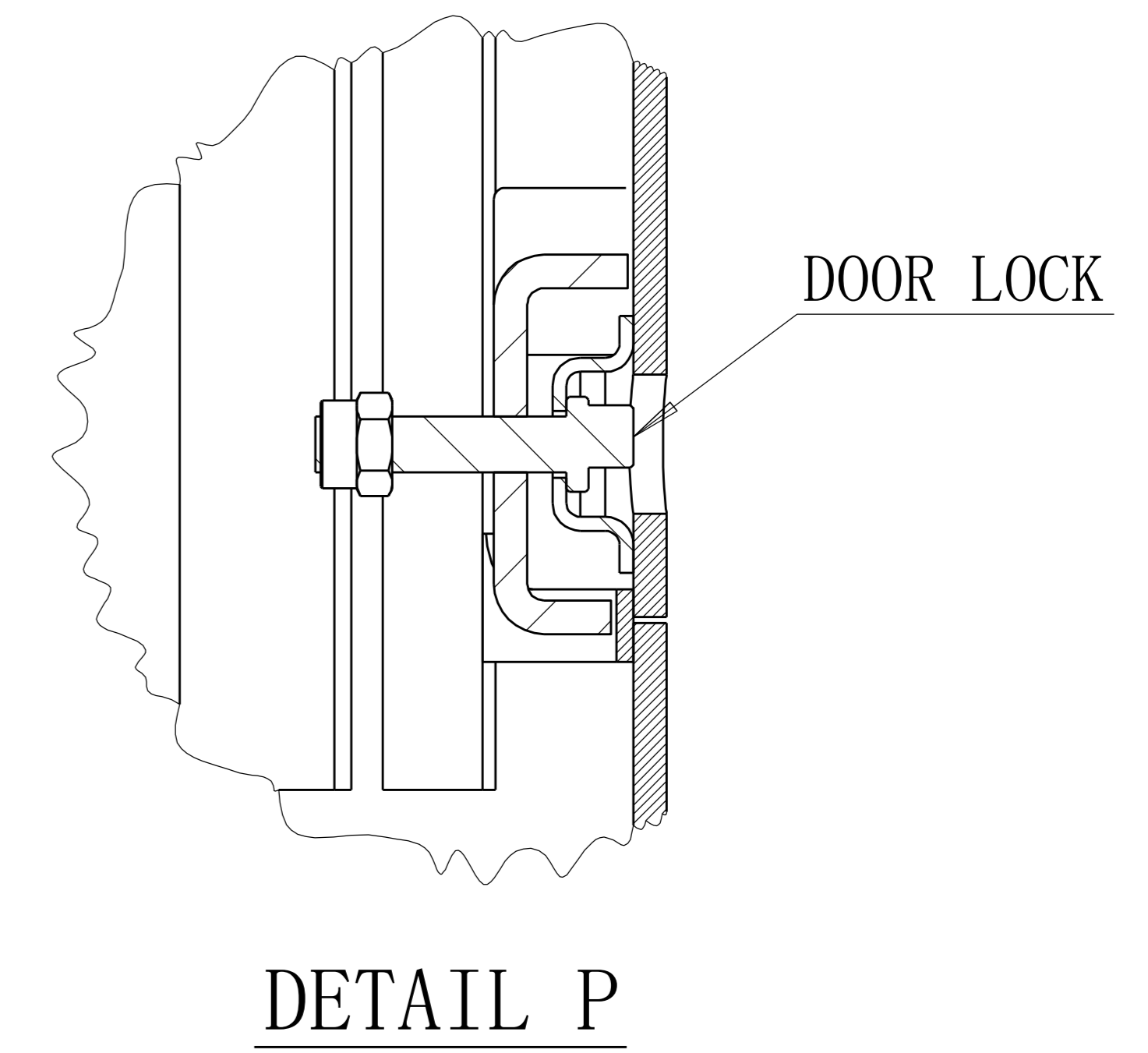
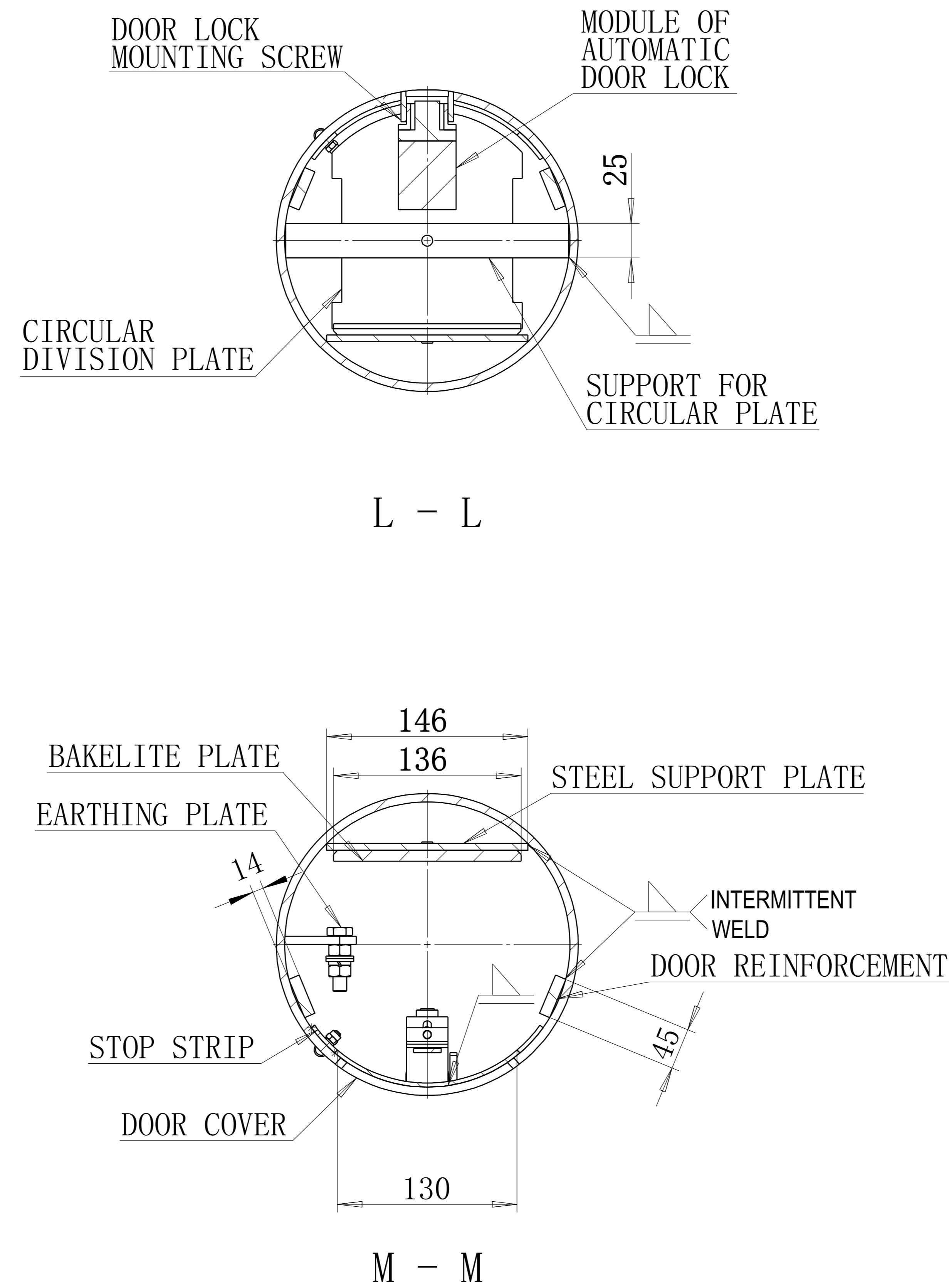
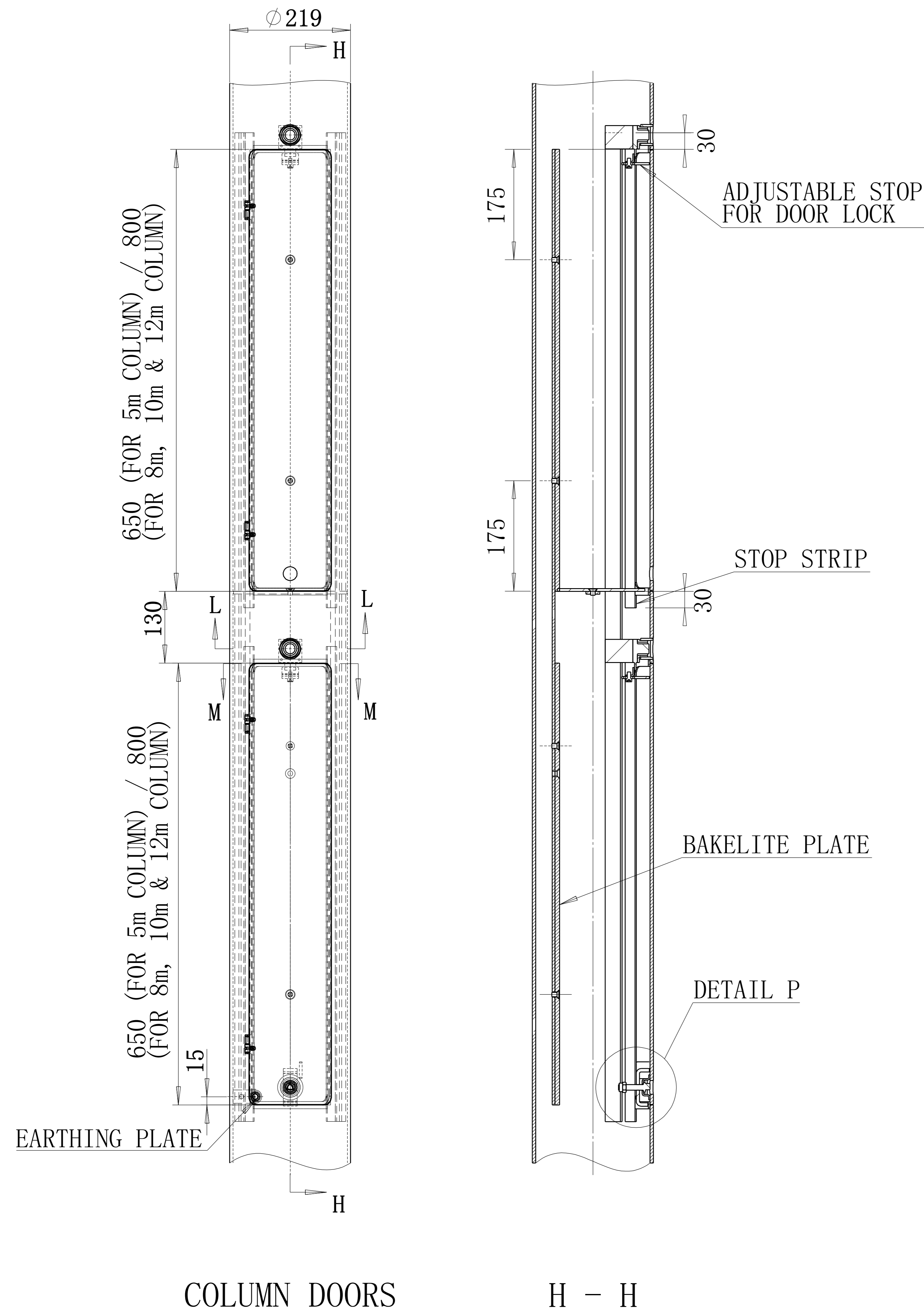


NOTES:

1. ALL DIMENSIONS ARE IN MILLIMETERS.
2. THIS DRAWING SHALL BE READ IN CONJUNCTION WITH DRAWING NO. HLDSDGE07 - CLO049 AND DRAWING NO. HLDSDGE07 - CLO050.
3. FOR NON-SPECIFIED DIMENSIONS, RELEVANT APPROVAL BY THE ENGINEER SHALL BE SOUGHT.



STANDARD DIMENSIONS FOR S-TYPE PUBLIC LIGHTING COLUMN (SHEET 3 OF 3)

	New issue		Mar 20
REF.	REVISION	SIGNATURE	DATE
HIGHWAYS DEPARTMENT LIGHTING DIVISION			
REFERENCE	DRAWING No.	CAD	
SCALE	N.T.S.	HLDSDGE07-CL0051	