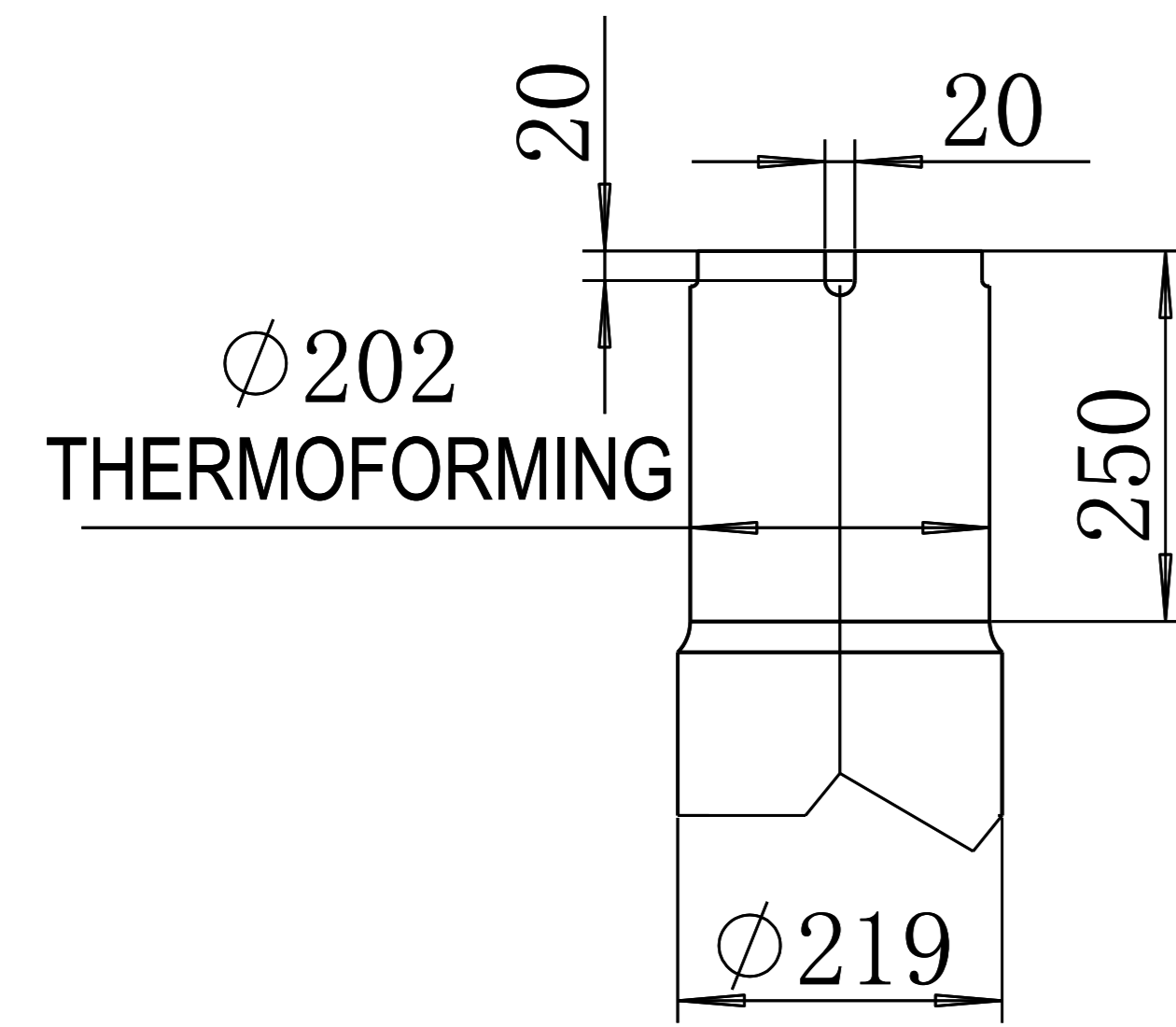
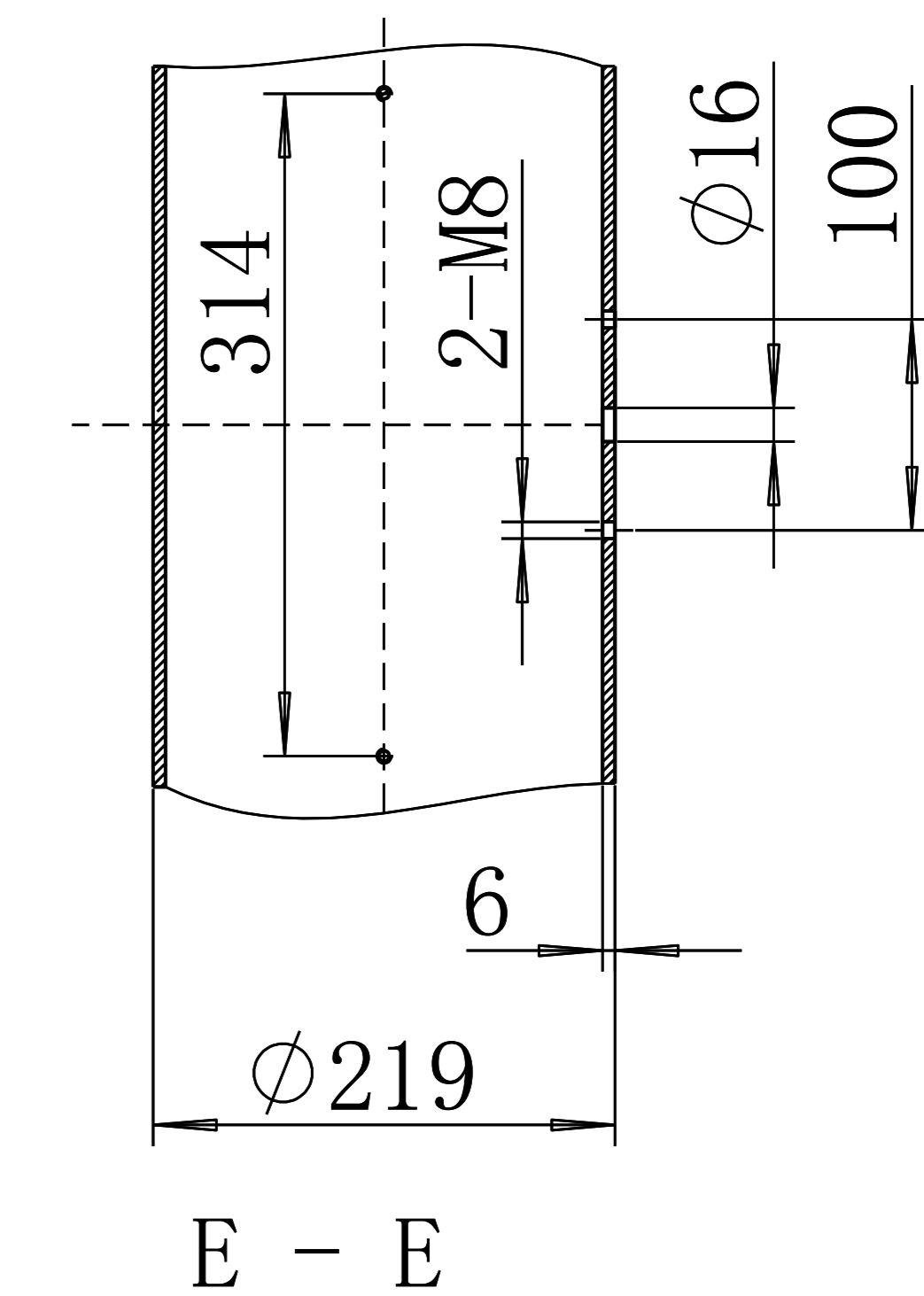
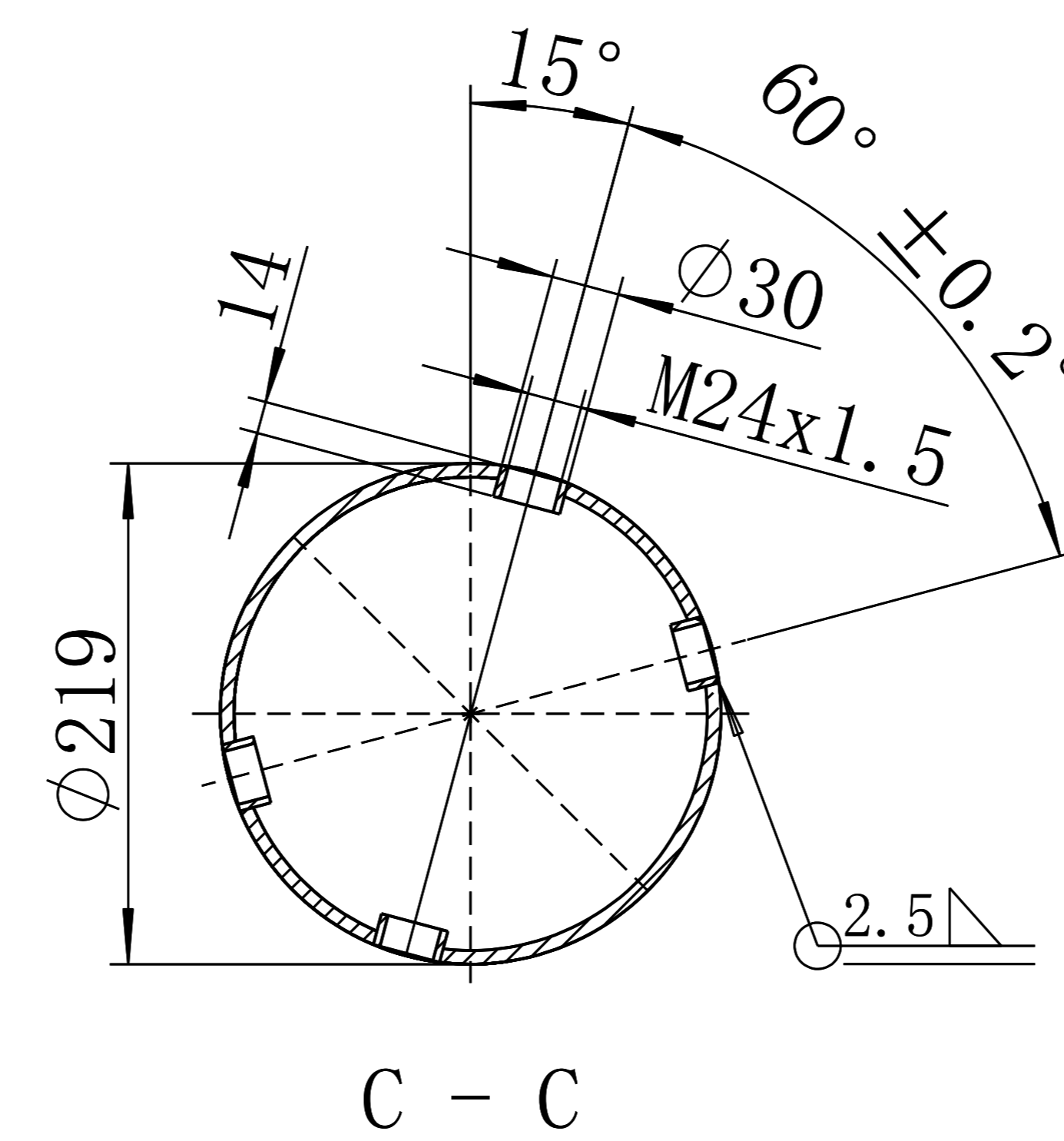
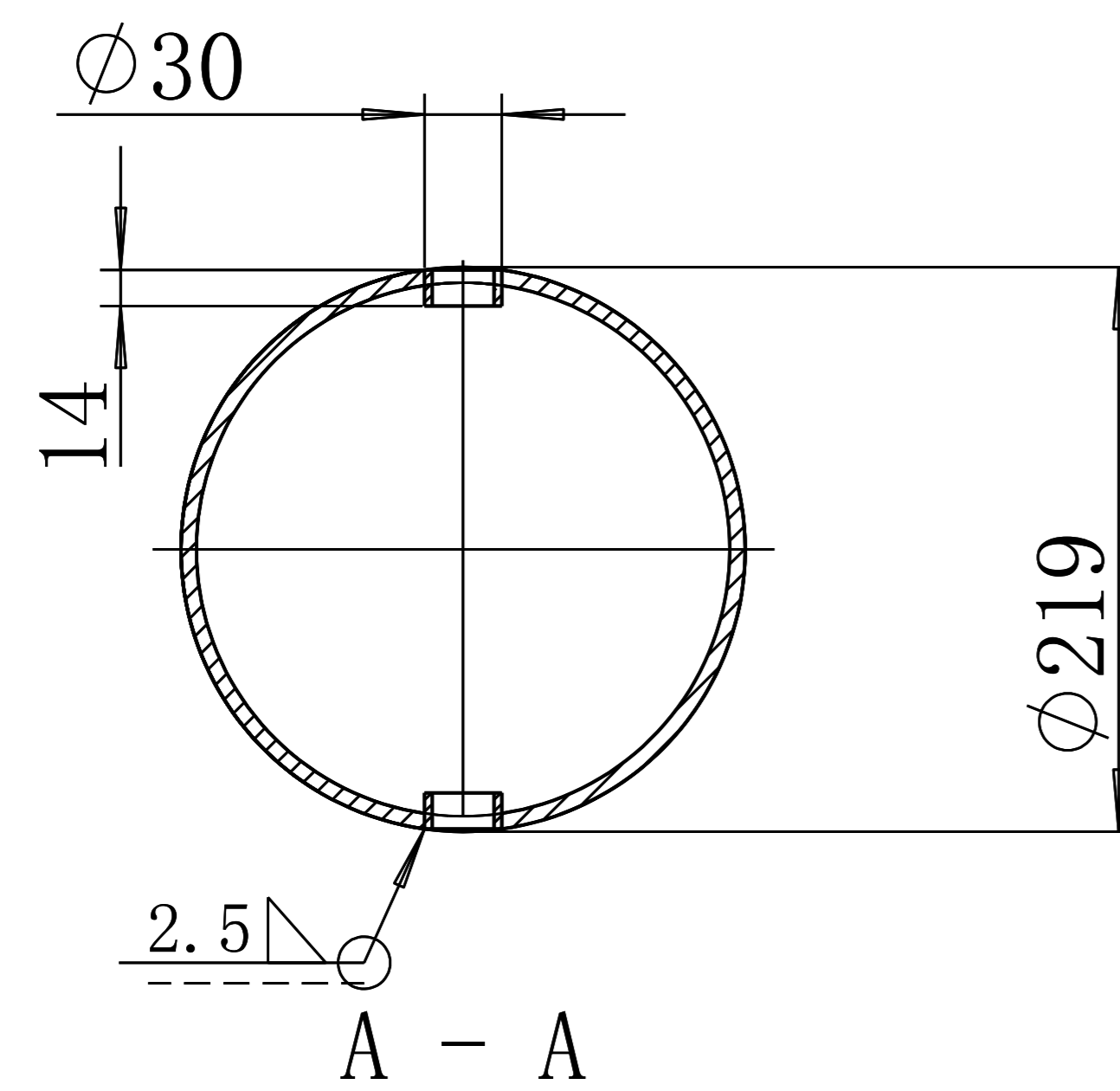
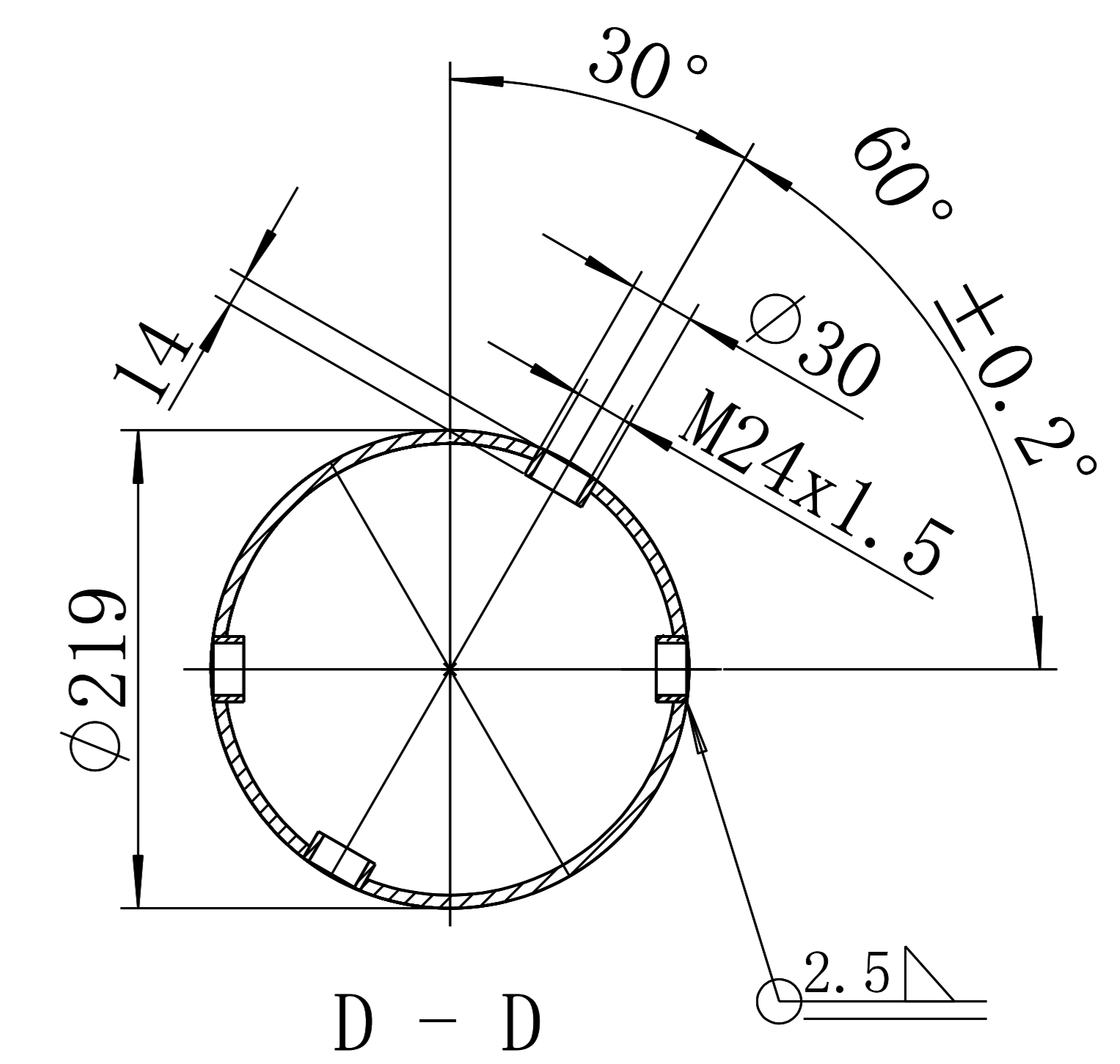
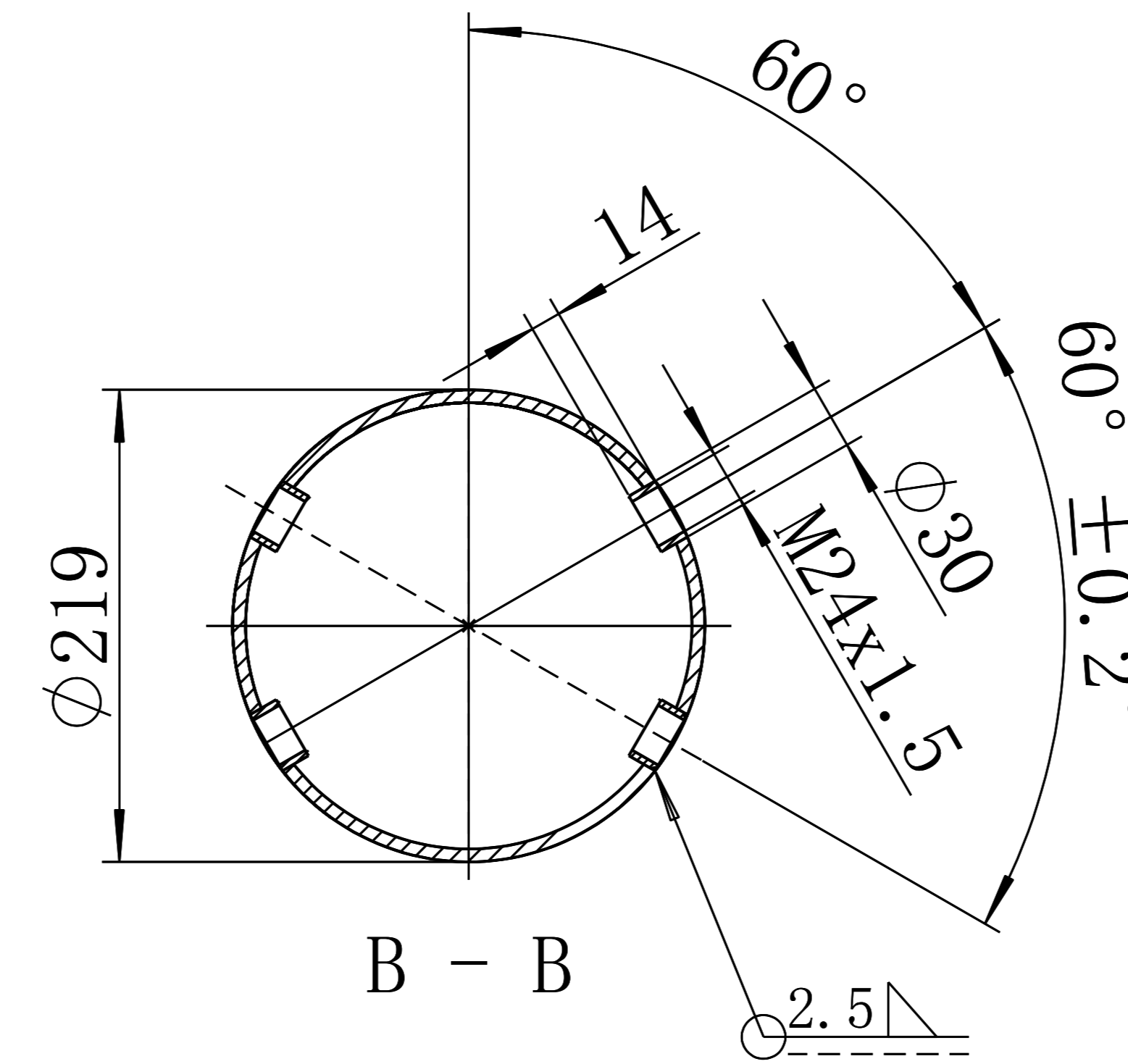


NOTES:

1. ALL DIMENSIONS ARE IN MILLIMETERS.
2. THIS DRAWING SHALL BE READ IN CONJUNCTION WITH DRAWING NO. HLDSDGE07 - CLO049 AND DRAWING NO. HLDSDGE07 - CLO051.
3. FOR NON-SPECIFIED DIMENSIONS, RELEVANT APPROVAL BY THE ENGINEER SHALL BE SOUGHT.



DETAILS OF TOP OF COLUMN



	New issue		Mar 20
REF.	REVISION	SIGNATURE	DATE

HIGHWAYS DEPARTMENT
LIGHTING DIVISION

REFERENCE	DRAWING No.	CAD
SCALE	HLDSDGE07-CL0050	
N.T.S.		

STANDARD DIMENSIONS FOR S-TYPE PUBLIC
LIGHTING COLUMN (SHEET 2 OF 3)