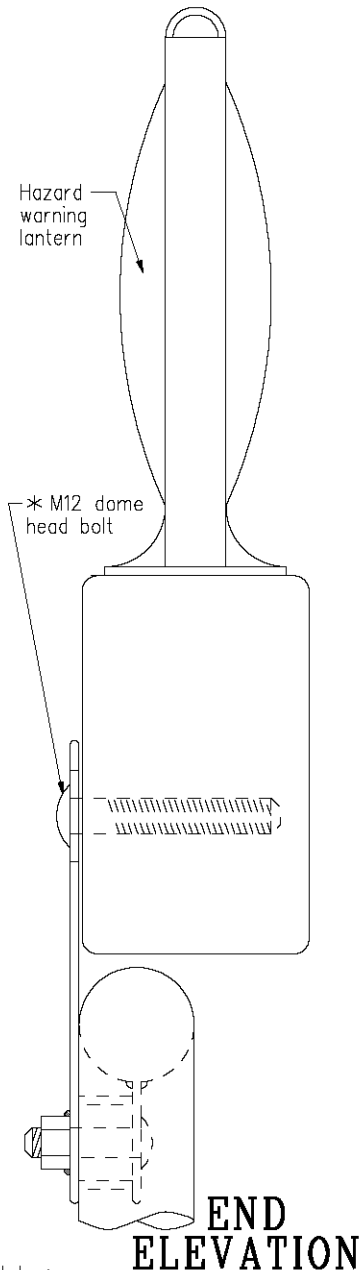
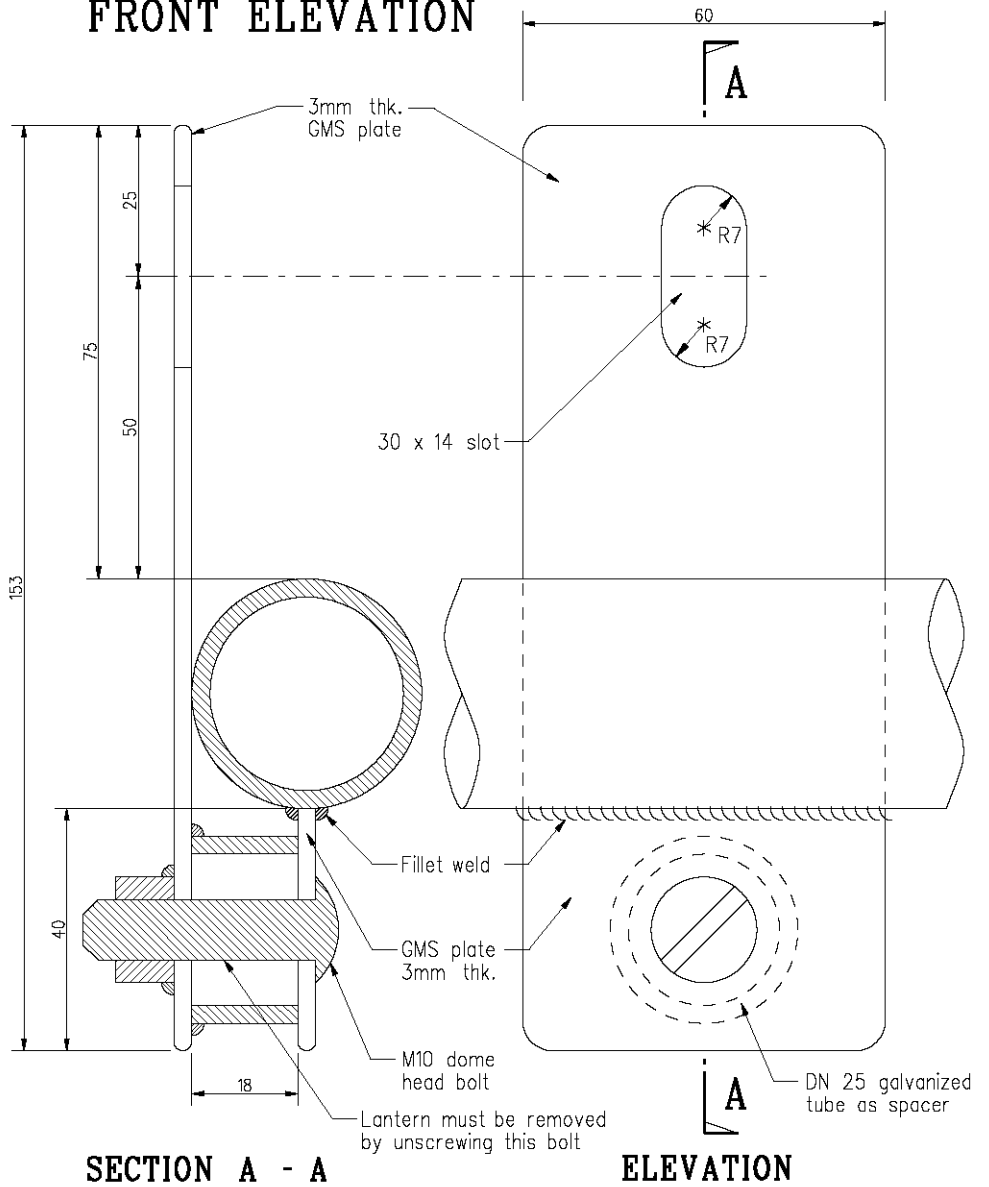


FRONT ELEVATION



END ELEVATION



SECTION A - A

DETAIL 'X'

ELEVATION

Notes:

1. All dimensions are in millimetres.
2. Bolt for fixing hazard warning lantern shall be hot-dip galvanized.
3. GMS plate must not protrude above top rail after removal of lantern.
4. For plastic barrier, no part of the mounting mechanism shall protrude above the top rail after removal of the lantern.

*Bolt size shall suit lantern.

A	Note 4 added.		Jul 08
	New Issue		Mar 03
REF.	REVISION	SIGNATURE	DATE

**FIXING DETAIL FOR
HAZARD WARNING
LANTERN ON RAIL OF
TEMPORARY BARRIER**

HIGHWAYS DEPARTMENT

REFERENCE

DRAWING No.

CAD

SCALE

Diagrammatic

H 6151A