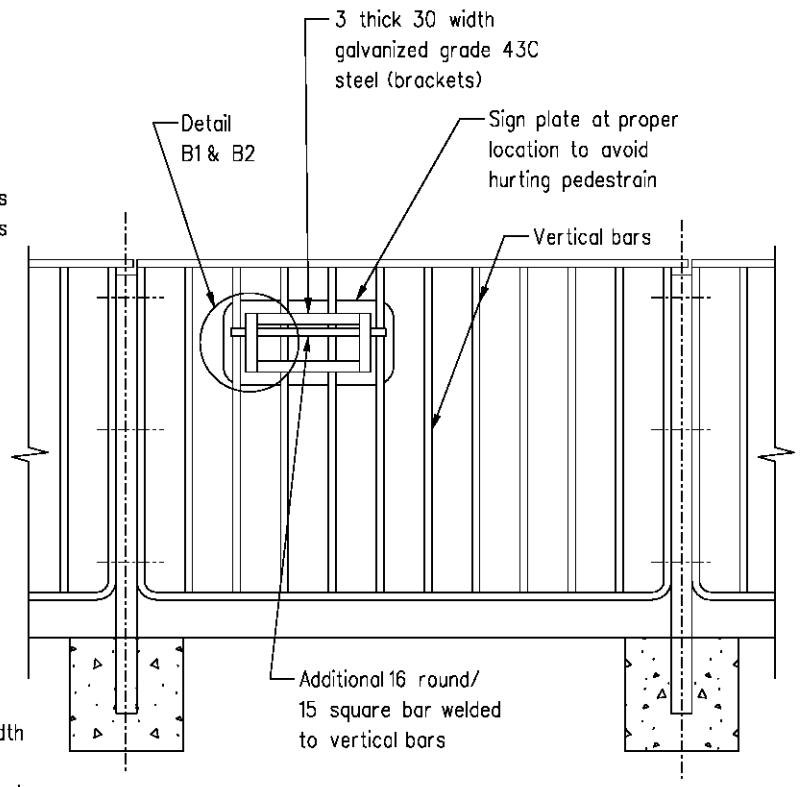
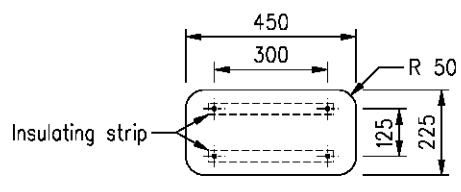


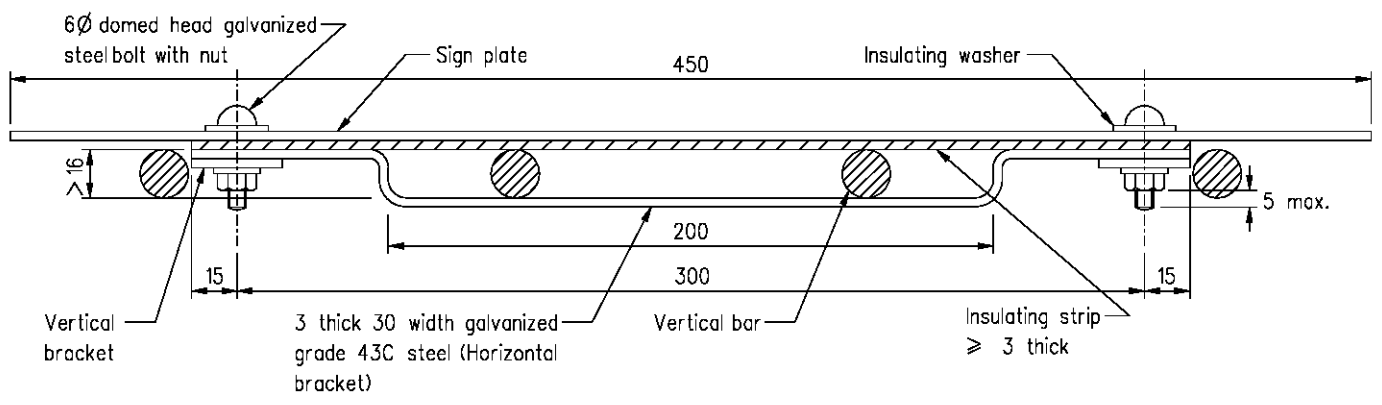
DETAIL B2
(1 : 2.5)



MOUNTING ON TYPE 2 RAILING
(1 : 20)



FIXING DETAIL
(1 : 20)



DETAIL B1
(1 : 2.5)

B	Railing Mounting Details Added		Oct. 03
A	Thickness Of Sign Plate Revised		Nov 98
	NEW ISSUE		May 98
REF.	REVISION	SIGNATURE	DATE

DISPLAY SIGN FOR SLOPE /
WALL REGISTRATION NUMBER
(SHEET 3 OF 3)

HIGHWAYS DEPARTMENT

REFERENCE Drg GEA 497 C	DRAWING No. H 6141B	CAD
SCALE AS SHOWN		