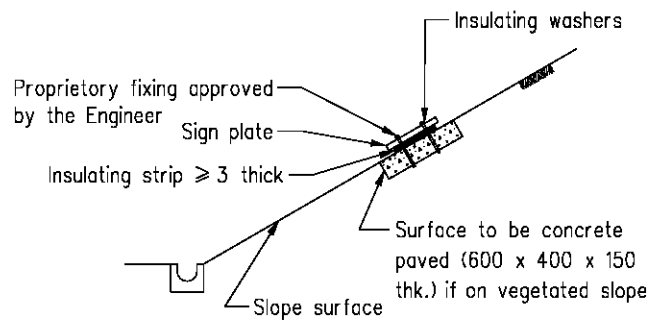


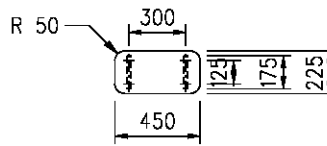
**MOUNTING ON WALL DETAILS**

(Not to scale)



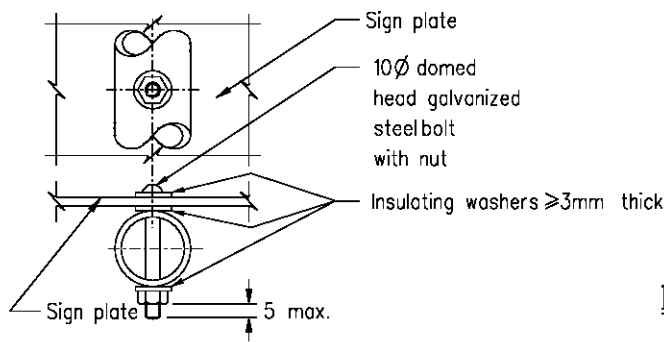
**MOUNTING ON SLOPE DETAILS**

(Not to scale)



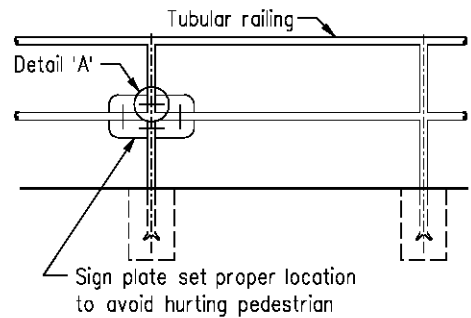
**FIXING DETAIL**

(1 : 40)



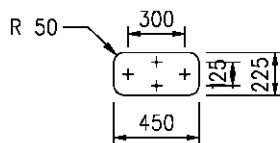
**DETAIL 'A'**

(1 : 5)



**MOUNTING ON TUBULAR RAILING**

(1 : 50)



**FIXING DETAIL**

(1 : 40)

B	Slope/ wall / railing mounting details added/ revised		Oct. 03
A	Thickness Of Sign Plate Revised		Nov 98
	NEW ISSUE		May 98
REF.	REVISION	SIGNATURE	DATE

DISPLAY SIGN FOR SLOPE /  
WALL REGISTRATION NUMBER  
(SHEET 2 OF 3)

**HIGHWAYS DEPARTMENT**

REFERENCE  
Drg GEA 497 C

DRAWING No.

CAD

SCALE  
AS SHOWN

H 6140B