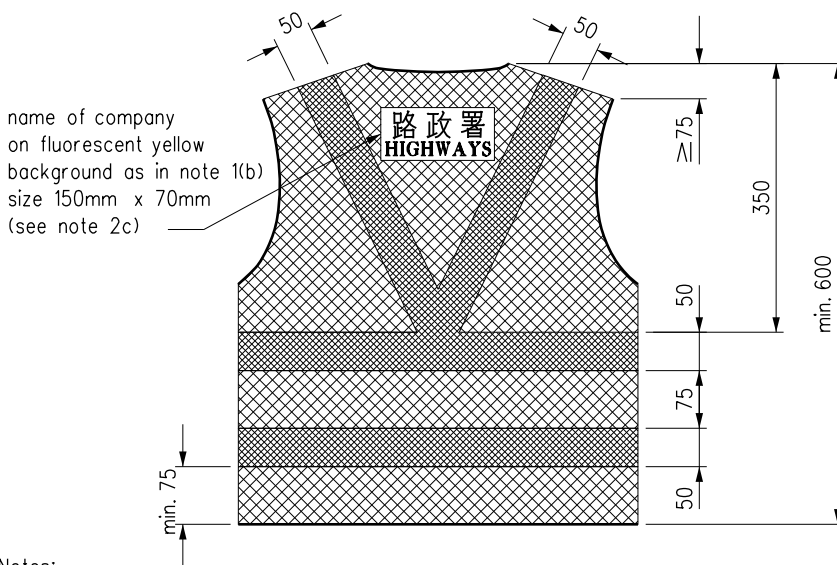


CI LOGO DETAIL

Generally green and orange on fluorescent yellow background as in note 1(b).

Orange Process: 60M, 100Y
Pantone : 151
British Standard BS5252: 06 E 53

Green Process: 100C, 100Y, 35K
Pantone : 3415
British Standard BS5252: 14 E 56



Notes:

The retroreflective material of the reflective jacket to be worn by person carrying out expressway works shall conform to ISO 20471:2013 unless stated otherwise in Notes No. 1-3 below. [These features form the guide line for giving approval as stipulated in Schedule 3 of the Road Traffic (Expressway) Regulations]

1. Colour

- (a) background material - fluorescent orange red, mesh knitted
 - (b) retroreflective material - fluorescent yellow
- [The min. coefficient of retroreflection of this material measured at an observation angle of 12° and entrance angle of 5° should not be less than 330 cd/(lx·m²)]

2. Size & Dimension (all dimensions are in mm)

- (a) min. overall length 600
- (b) length of upper mesh portion 350
- (c) name patch at the back 150x70
(both the Chinese and English name of the Company & Organisation, if available, should be displayed)
- (d) company logo at front 50-60mm SQ (Optional)
- (e) construction industry logo at front (WxH): 45x48 mm
- (f) min. area of background material 0.4m SQ

3. Pattern

- (a) the layout of the pattern is as shown on this drawing
- (b) edge binding if any should not exceed 10mm wide, or else, it should be made of retroreflective material with min. coefficient of retroreflection as in 1(b) above

4. The CI logo is to be printed on a piece of plastic. Its edges shall be wide enough so that the stitches attaching the logo to the jacket shall not cross the coloured parts of the logo.

E	Note updated	Original signed	Mar 18
D	Mesh for lower portion adopted	-	Aug 12
C	CI logo detail added; Note 4 added; Background colour of logos stipulated.	-	Apr 12
B	Reference to BS EN 471 added Min. area of background material added	-	Jul 05
A	Min. coefficient of retroreflection stated in note 1(b)	-	Apr 98
	NEW ISSUE	-	Jun 97
REF.	REVISION	SIGNATURE	DATE

REFLECTIVE JACKET DETAILS

HIGHWAYS DEPARTMENT

REFERENCE

DRAWING No.

CAD

SCALE

Scale 1:10

H 6137E