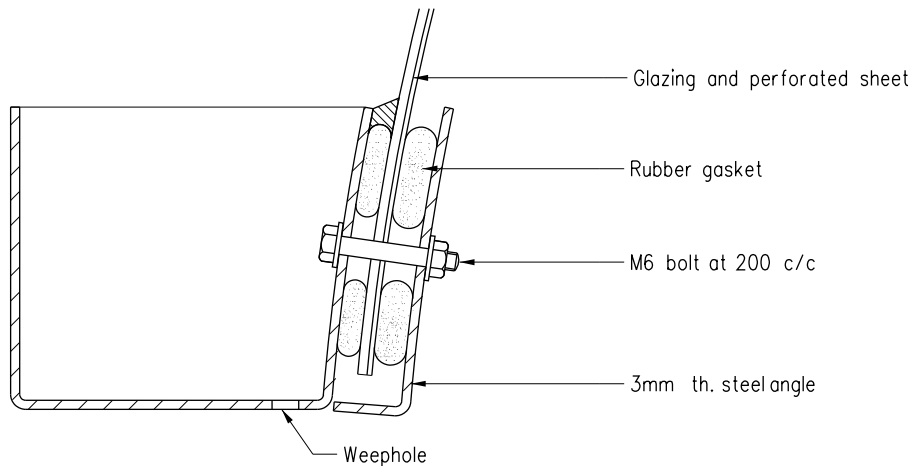


DETAIL 'A' AT C.H.S.  
(DETAIL 'B' AT C.H.S. SIMILAR BUT MIRRORED)



DETAIL 'A' BETWEEN C.H.S.'S  
(DETAIL 'B' BETWEEN C.H.S.'S SIMILAR BUT MIRRORED)

Note :

1. See H6127 for notes.

B	Perforated aluminium sheet added	Original signed	Nov 15
A	General Revision	-	Oct. 02
	Former Drg. No. H6015/4	-	June 94
REF.	REVISION	SIGNATURE	DATE

TUBULAR STEEL FRAMED  
PASSENGER SHELTER -  
TYPE 'B' ( SHEET 4 OF 4)

HIGHWAYS DEPARTMENT

REFERENCE

DRAWING No.

CAD

SCALE

1 : 2.5

H 6130B