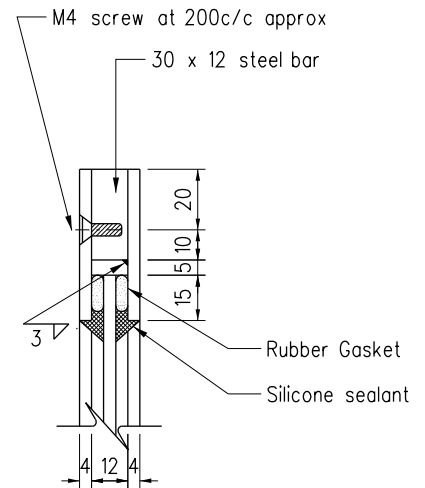
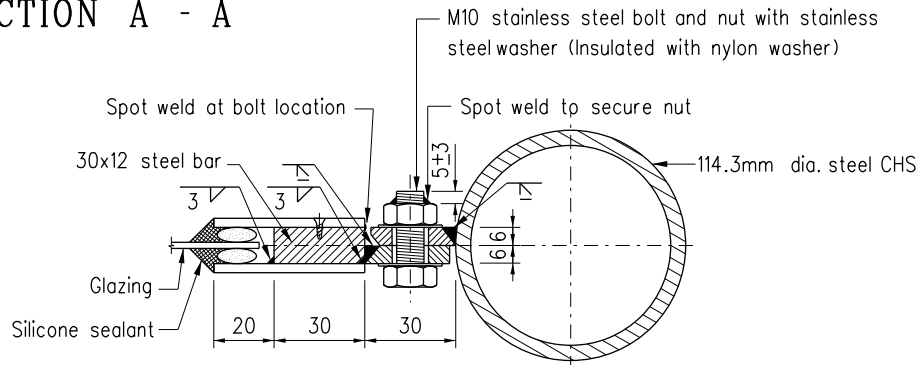


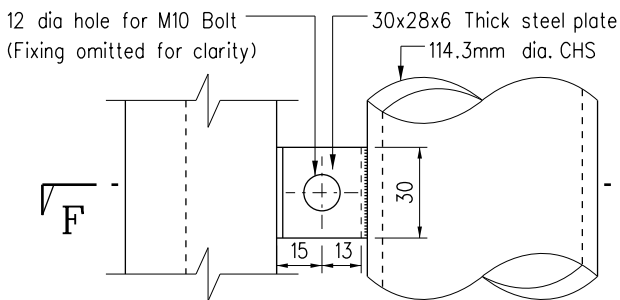
SECTION A - A



SECTION G - G



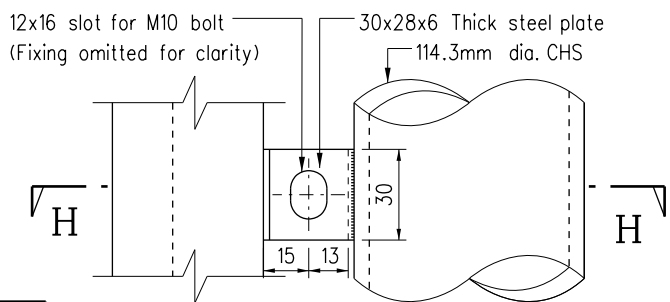
SECTION F - F
 SECTION H - H SIMILAR



DETAIL 'X'

Note :

1. See H6127 for notes.



DETAIL 'Y'

REF.	REVISION	SIGNATURE	DATE
B	Perforated aluminium sheet added	Original signed	Nov 15
A	General Revision	-	Oct. 02
	Former Drg. No. H6015/3	-	June 94

TUBULAR STEEL FRAMED
 PASSENGER SHELTER -
 TYPE 'B' (SHEET 3 OF 4)

HIGHWAYS DEPARTMENT

REFERENCE

DRAWING No.

CAD

SCALE

1:2.5

H 6129B