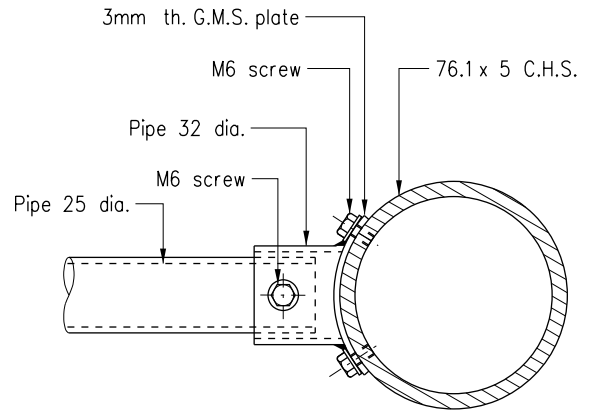
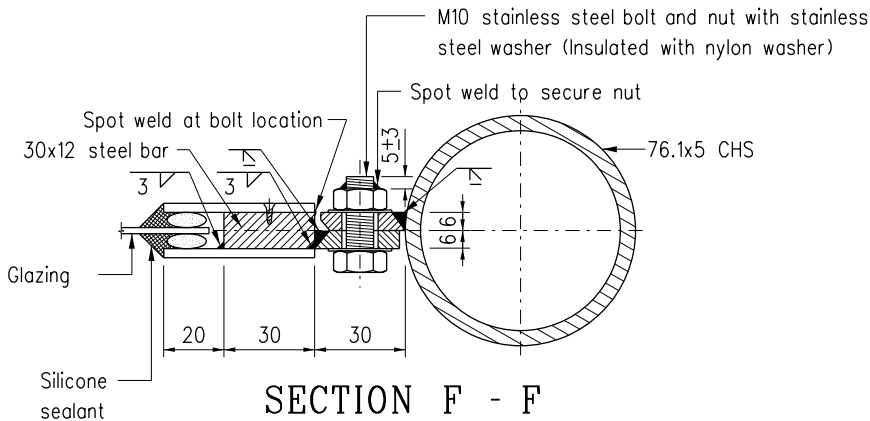


SECTION A - A

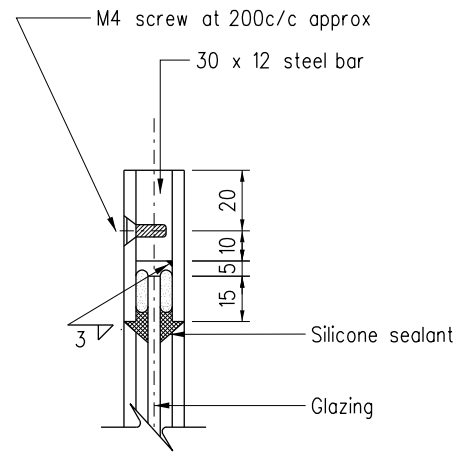


SECTION C - C

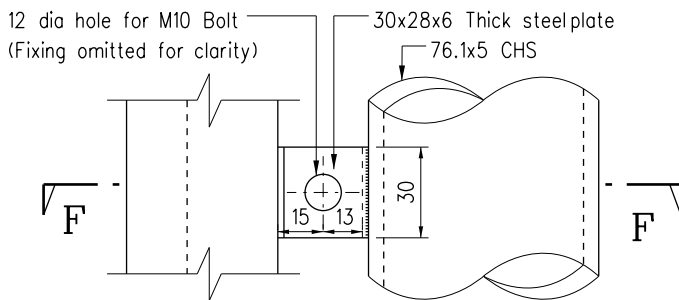


SECTION F - F

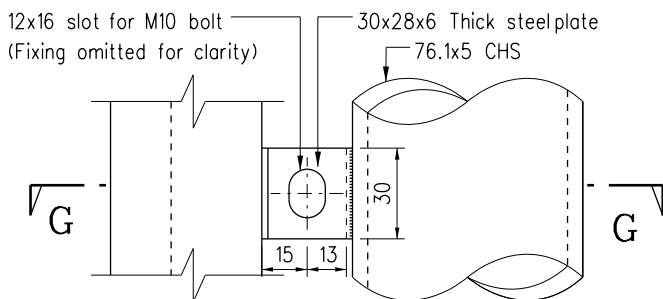
SECTION G - G SIMILAR



SECTION B - B



DETAIL 'X'



DETAIL 'Y'

Note:

See H6123 for notes.

B	Perforated aluminium sheet added	Original signed	Nov 15
A	General Revision	-	Oct. 02
	Former Drg. No. H6014/4	-	June 94
REF.	REVISION	SIGNATURE	DATE

TUBULAR STEEL FRAMED  
PASSENGER SHELTER -  
TYPE 'A' (SHEET 4 OF 4)

HIGHWAYS DEPARTMENT

REFERENCE

DRAWING No.

CAD

SCALE

1 : 2.5

H 6126B