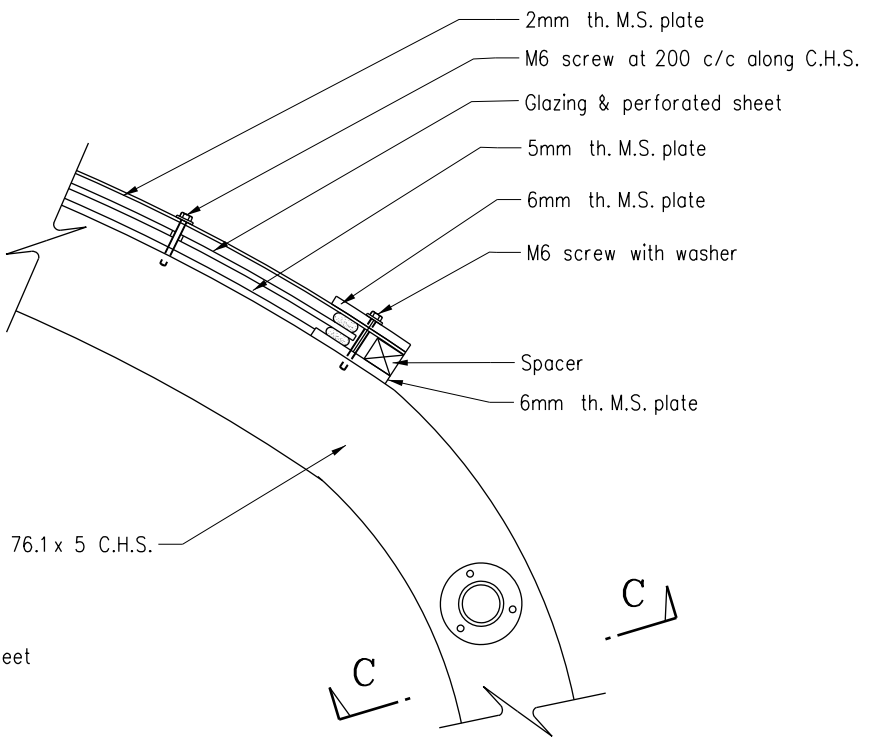
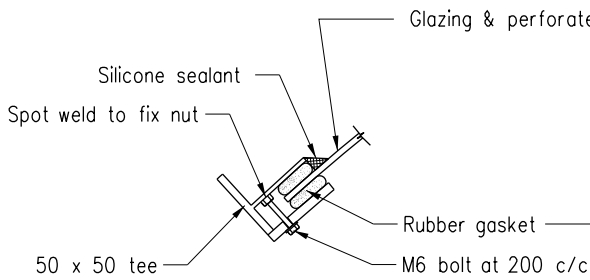


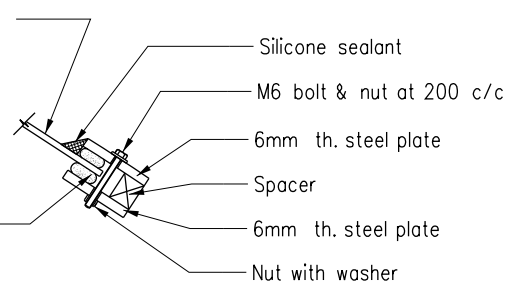
**DETAIL 'A'  
AT C.H.S.**



**DETAIL 'B'  
AT C.H.S.**



**DETAIL 'A'  
BETWEEN C.H.S.'S**



**DETAIL 'B'  
BETWEEN C.H.S.'S**

Note:

See H6123 for notes.

B	Perforated aluminium sheet added	Original signed	Nov 15
A	General Revision	-	Oct. 02
	Former Drg. No. H6014/3	-	June 94
REF.	REVISION	SIGNATURE	DATE

**TUBULAR STEEL FRAMED  
PASSENGER SHELTER –  
TYPE 'A' (SHEET 3 OF 4)**

**HIGHWAYS DEPARTMENT**

REFERENCE

DRAWING No.

CAD

SCALE

1:5

**H 6125B**