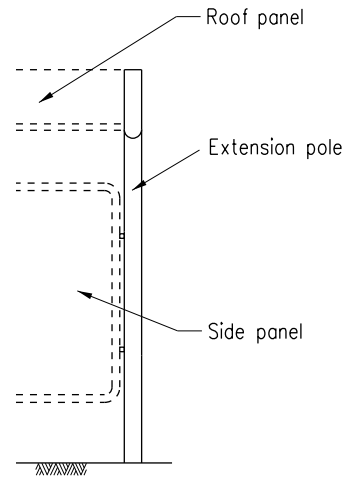


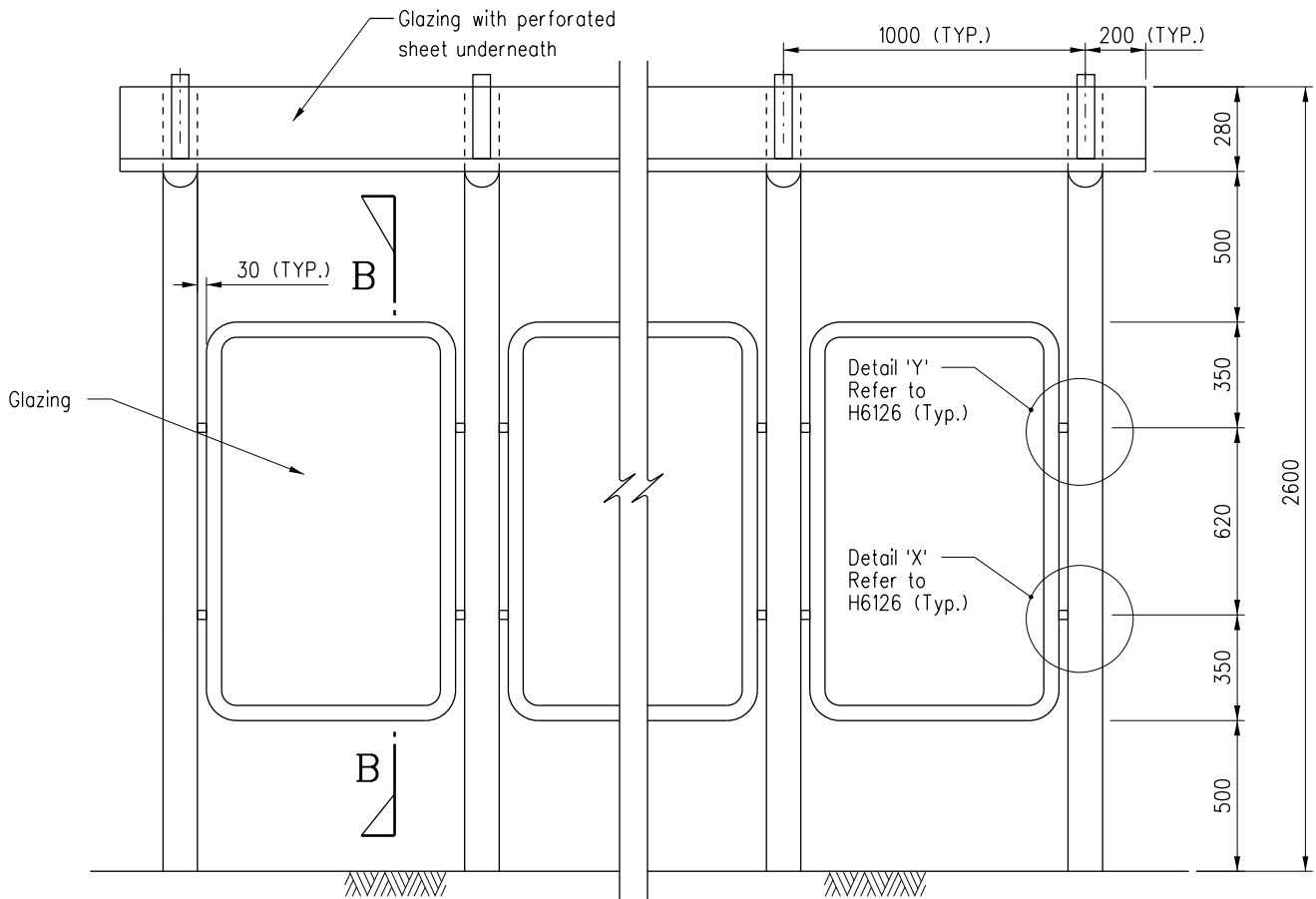
BASE UNIT

Scale 1 : 50



EXTENSION UNIT

Scale 1 : 50



FRONT ELEVATION

Scale 1 : 25

Note:

1. See H6123 for notes.

B	Perforated aluminium sheet added	Original signed	Nov 15
A	General Revision	-	Oct. 02
	Former Drg. No. H6014/2	-	June 94
REF.	REVISION	SIGNATURE	DATE

**TUBULAR STEEL FRAMED
PASSENGER SHELTER –
TYPE A (SHEET 2 OF 4)**

HIGHWAYS DEPARTMENT

REFERENCE

DRAWING No.

CAD

SCALE

As shown

H 6124B