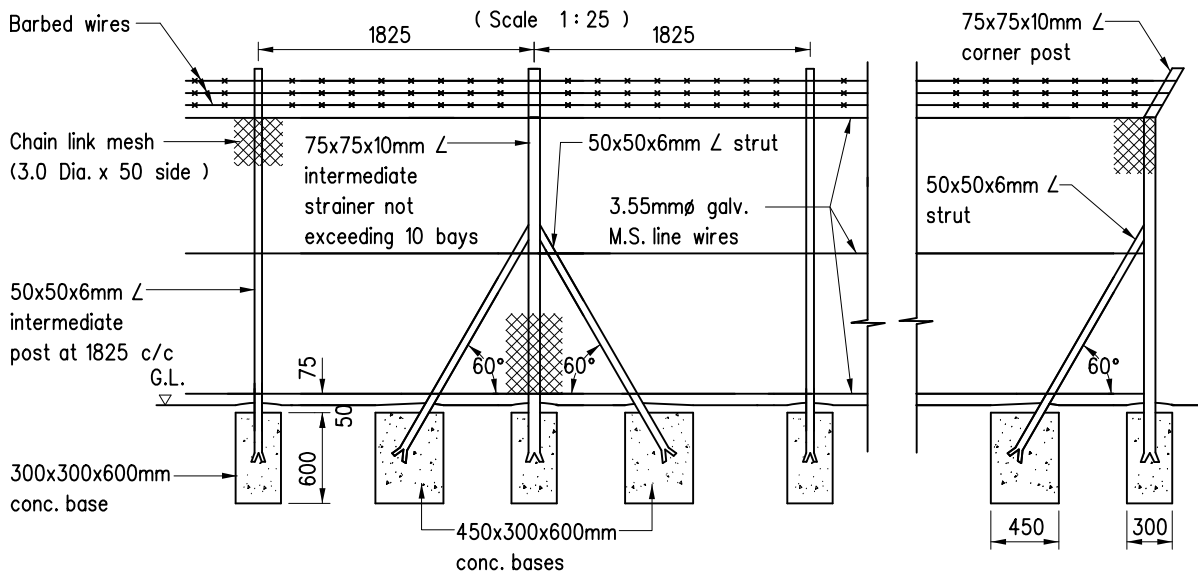


PEDESTRIAN GATE



**ELEVATION OF INTERMEDIATE POST
INTERMEDIATE STRAINER & CORNER POST**

(Scale 1:50)

Note :

See Drg. No. H6121C

B	Note updated		Oct 23
A	Note 8 added		Nov 99
	Former Drg. No. H6005/2 with general revision		Jun 94
REF.	REVISION	SIGNATURE	DATE

**CHAIN LINK FENCE
(SHEET 2 OF 2)**

HIGHWAYS DEPARTMENT

REFERENCE	HH 4935	DRAWING No.	CAD
SCALE	As shown	H 6122B	